

CertainTeed

Decorative Moulding

Gypsum Cove, Cornice and Steps



Simply beautiful. Beautifully simple.

CertainTeed
SAINT-GOBAIN

Decorative Moulding...



Decorative Moulding

There's more to its beauty than meets the eye.

CertainTeed Decorative Moulding is practical, as well as beautiful. It greatly reduces callbacks because Decorative Moulding eliminates the need to tape and finish wall/ceiling joints — where cracking most often occurs. It can also be used to conceal surface wiring or indirect lighting installations.

Easy to Install

Simply put it up using joint compound or caulking adhesive. No screws. No nails. No warping. No splitting.

Easy to Enhance

Decorative moulding opens the door to an exciting world of choice and design flexibility.

Easy to Decorate

Use the same paint as you do on gypsum board walls and ceilings. The premium-quality paper facing ensures a smooth finish and a perfect colour match every time.

Easy on the Budget

Decorative Moulding costs are comparable to finger jointed wood moulding.

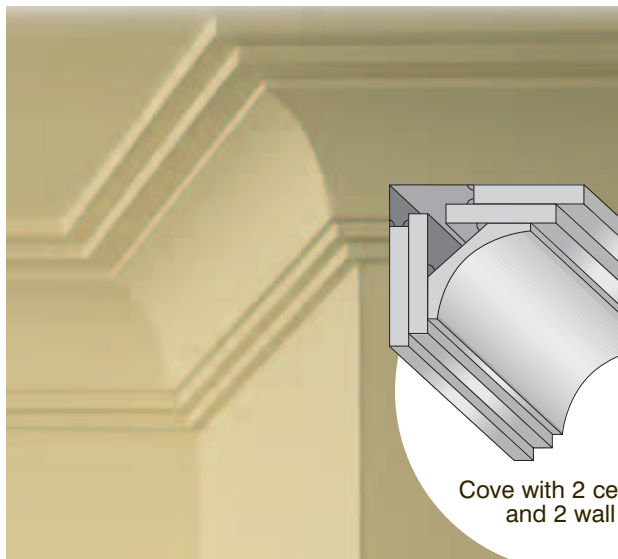
Easy on the Mind

When fire-resistance is a concern, it's comforting to know that Decorative Moulding has a non-combustible gypsum core.

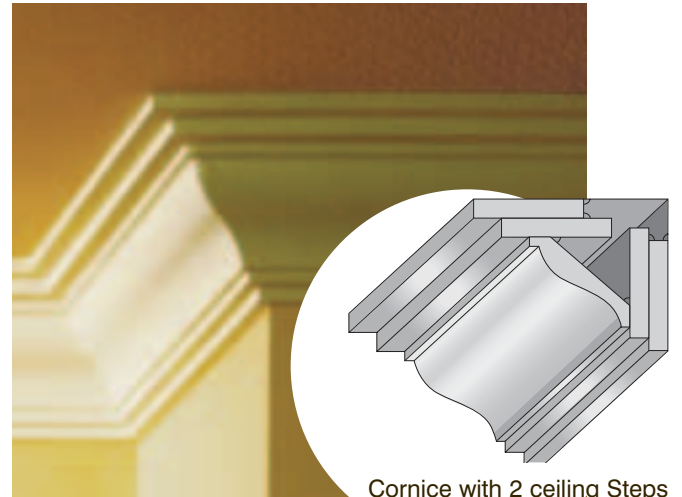
There's more to beauty than meets the eye.

Step by step, look what you can do.

Whether you choose to use a Cove or Cornice profile, Steps offer an easy way to add an increasing degree of sophistication to any room. Just use your imagination. The process is simple, and the results can be breathtakingly stylish.



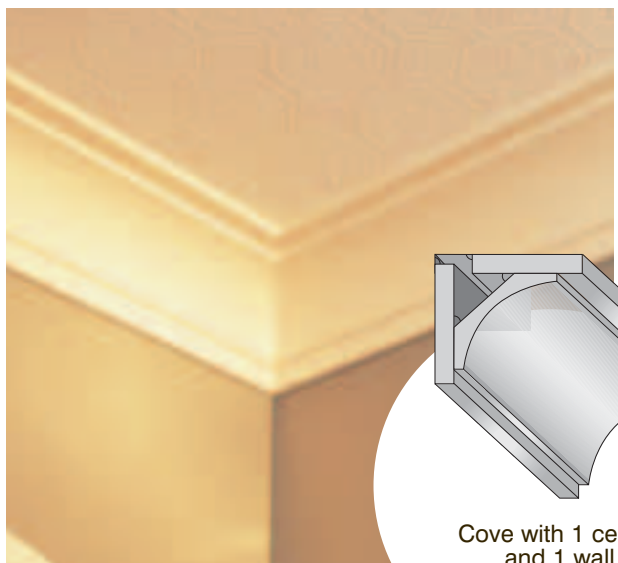
Cove with 2 ceiling Steps and 2 wall Steps



Cornice with 2 ceiling Steps and 2 wall Steps



Cornice with 2 ceiling Steps and no wall Steps



Cove with 1 ceiling Step and 1 wall Step



Cove

Decorative Moulding

| Product Specifications | COVE | CORNICE | STEP |
|------------------------|---|---------------------------------------|---------------------------------------|
| | | | |
| Nominal length | 8' (2.44 m) or 12' (3.66 m) +3/4 - 0" (+19 - 0 mm) | 8' (2.44 m) +3/4 - 0" (+19 - 0 mm) | 8' (2.44 m) +3/4 - 0" (+19 - 0 mm) |
| Chord/Profile Width | A 4 1/2" (114 mm) +/- 1/16" (1.6 mm) | A 4 7/16" (113 mm) +/- 1/16" (1.6 mm) | A 6" (152 mm) +/- 1/16" (1.6 mm) |
| Main Member Thickness | B 3/8" (9.5 mm) +/- 1/32" (0.8 mm) | B 3/4" (19.1 mm) +/- 1/32" (0.8 mm) | B 1/2" (12.7 mm) +/- 1/32" (0.8 mm) |
| Side Member Thickness | C 1/4" (6.4 mm) +/- 1/32" (0.8 mm) | C 5/16" (7.9 mm) +/- 1/32" (0.8 mm) | — |
| Radius | D 3 1/4" (83 mm) | — | — |
| Curvature | E 3/4" (19.1 mm) +/- 1/16" (1.6 mm) | — | — |
| Depth | — | D 7/16" (11.1 mm) +/- 1/32" (0.8 mm) | — |
| Side Member Angles | F 45° + 5° | E 43° - 53° F 37° - 47° | — |
| Back Member Angle | — | G 25° - 35° H 35° - 45° | — |
| Back Angle | X Not less than 90° | X 105° - 115° | — |
| Weight | 0.75 lb/ft (1.1 kg/m) | 0.87 lb/ft (1.3 kg/m) | 1.06 lb/ft (1.6 kg/m) |

The curved surface of the Cove or Cornice shall constitute a smooth curve, free from bumps and grooves.
 Any product with improper paper adhesion, scuffing, blisters, defects that would be objectionable to the user, should be rejected.

[**Be Certain**] Confidence worth building on.™

ASK ABOUT ALL OF OUR OTHER CERTAINTEED® PRODUCTS AND SYSTEMS: CertainTeed Corporation

ROOFING • SIDING • TRIM • DECKING • RAILING • FENCE • FOUNDATIONS
 GYPSUM • CEILINGS • INSULATION • PIPE

www.certainteed.com <http://blog.certainteed.com>

P.O. Box 860
 Valley Forge, PA 19482
 Professional: 800-233-8990
 Consumer: 800-782-8777