



South Cobb High School, Austell, GA / Photo: © Kieran Reynolds

Designed to withstand wind loads, the Box Linear metal ceiling system uses a universal carrier for design and install simplicity.

**FEATURES AND BENEFITS**

- Panel Sizes:
  - Panel module widths: 2", 4", 6", 8"
  - Panel lengths: 3' to 16'
  - Panel depths (nominal): 5/8"
- Square-edge design
- Waste reduction with factory fabricated dimensional material
- Downweight: reduce dead load with lightweight aluminum
- Interior and exterior applications
- Compatible with industry standard lighting, HVAC, speaker, fire safety, and security services

**ATTRIBUTES**



**FIRE RATING:**  
CLASS A  
PER ASTM E84  
AND CAN/ULC-S102



**SEISMIC RATING:**  
ZONES A, B, C, D, E, F



**CUSTOMIZATION  
AVAILABLE**

**LEED® v4**

RECYCLED CONTENT

up to 92%

- ✓ EA: Optimize Energy Performance
- ✓ MR: Building Product Disclosure
- ✓ EQ: Low-Emitting Materials
- ✓ EQ: Indoor Air Quality Assessment
- ✓ EQ: Daylight

LEED® is a registered trademark of the U.S. Green Building Council.

**CERTIFICATIONS**



**GREENGUARD:  
GOLD CERTIFIED**



**EPD AVAILABLE**

**COLORS AND FINISHES**

A wide choice of colors and finishes as well as custom color matching are available upon request. See website for the most up to date information and to order samples. Colors are for illustration purposes only.

**STANDARD PAINT COLORS**

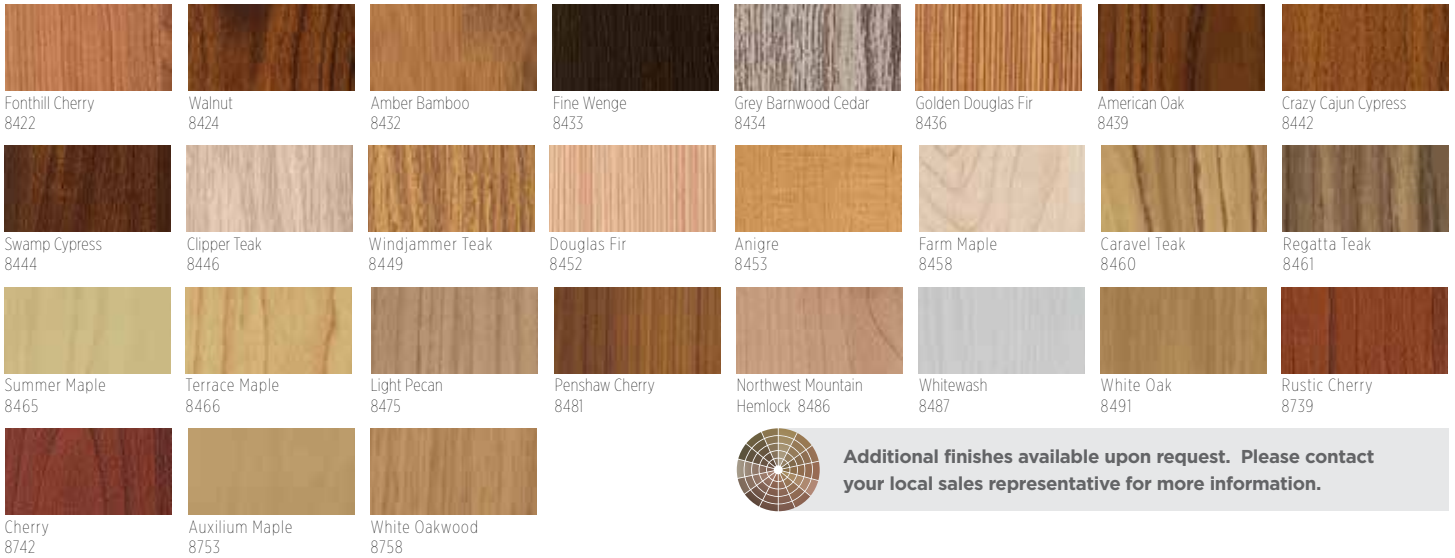


**CUSTOM COLORS**



**DECORATED (POWDER-COAT) WOOD-LOOK OPTIONS**

Powder-coat paint finish (interior and exterior). Formaldehyde-free, Class A composite panel. This finish is recommended for exterior conditions.

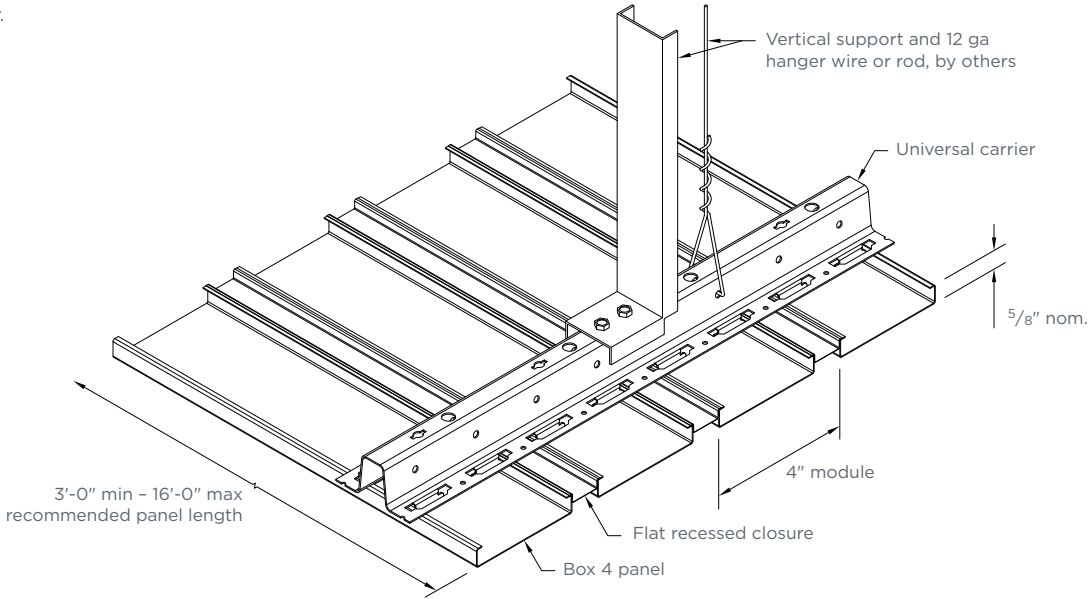


**Additional finishes available upon request. Please contact your local sales representative for more information.**

**INSTALLATION EXAMPLES**

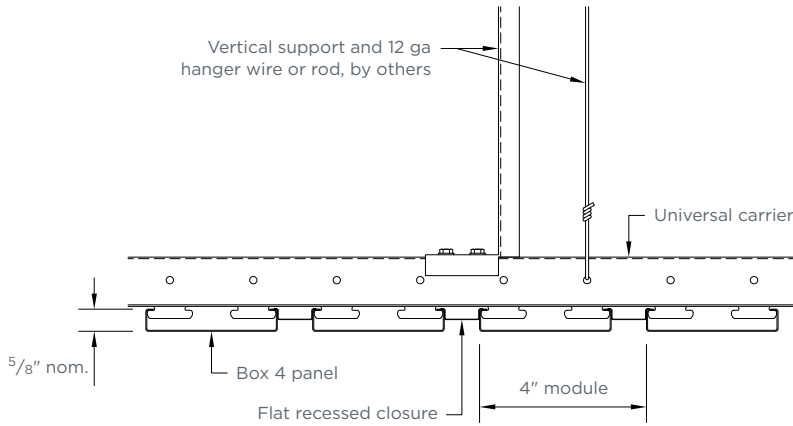
**Typical Isometrics**


Box 4 shown for illustrative purposes only, all sizes similar.



**Typical Sections**

Box 4 shown for illustrative purposes only, all sizes similar.



 **Additional options available for design flexibility, contact your local sales representative to get started.**

Atlanta United Football Club Training, Marietta, GA / Photo: © Bob Perzel

## PHYSICAL DATA

### MATERIAL

Aluminum

### WEIGHT

Varies 0.5 - 1.0 lbs./sq.ft.

### FIRE RATING

Class A Fire Rated per ASTM E84

- Painted or anodized metal: Flame spread:  $\leq 25$ ,  
Smoke  $\leq 50$

Class A Fire Rated per CAN/ULC-S102

- Painted or anodized metal: Flame spread:  $\leq 25$ ,  
Smoke  $\leq 50$

### SEISMIC RATING

Zones A,B,C,D,E,F

### WIND LOAD

Per code

### RECYCLED CONTENT

Up to 92%

### LIGHT REFLECTANCE (LR) COEFFICIENT

#### PER ASTM E1264 & ASTM E1477

- Varies with finish  
- Cotton White: LR = 0.81

### WARRANTY

1-year Limited Warranty.

Full warranty information can be found  
at [certainteed.com/warranty](http://certainteed.com/warranty)



## CertainTeed ARCHITECTURAL

METAL • WOOD • FELT • FIBERGLASS & MINERAL FIBER • GYPSUM • SUSPENSION & INTEGRATED SYSTEMS  
20 Moores Road, Malvern, PA 19355 800-366-4327 [certainteed.com/architectural](http://certainteed.com/architectural)

© 06/22 CertainTeed, Printed in the USA, Code No. 12-11-344-US-EN

