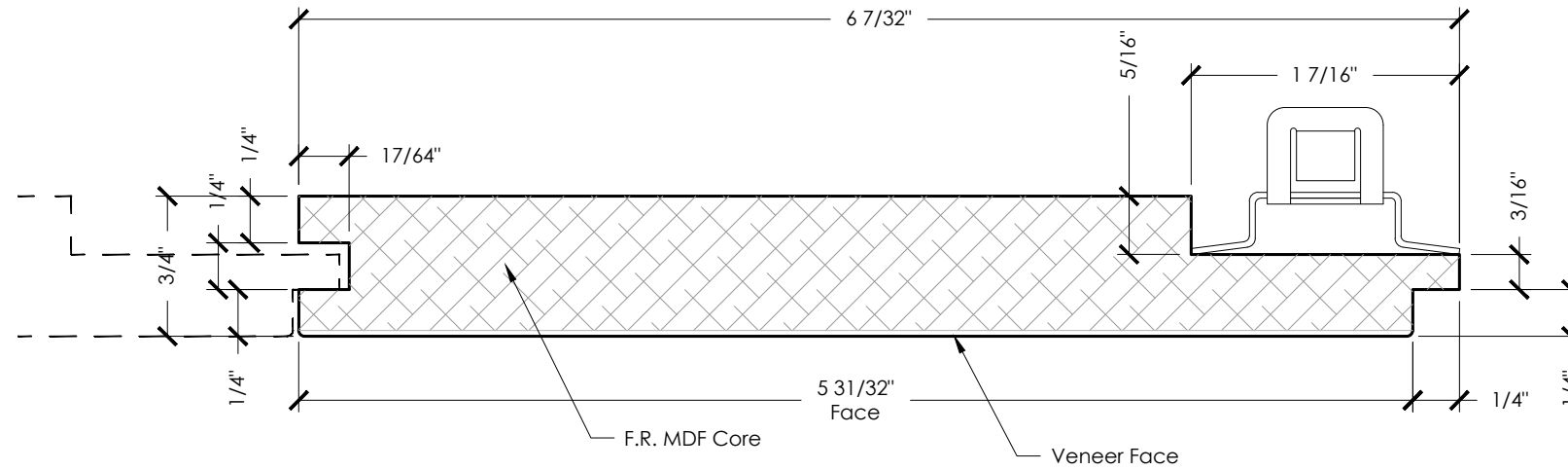
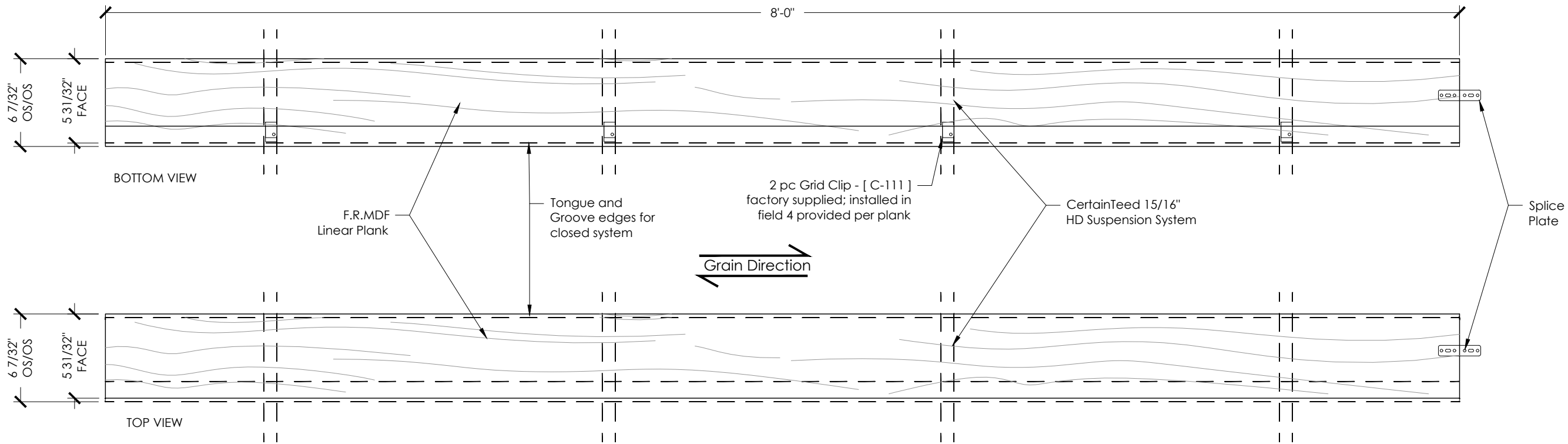


Type: 3305U1 Linear Plank (Closed Reveal T&G)
 Module: Nominal Size (6" x 96")
 Core: 3/4" Fire-Retardant MDF
 Veneer/Stain: Veneer Species
 Finish: Clear Topcoat , 20% sheen
 Rating: Class A per ASTM E84
 Mounting: 2 Part Grid Clip [C-111], Progressively Installed
 Accessories: None



A 3305U1 Linear Plank Section View
 PD-01

Scale: 1'-0" = 1'-0"



B linear Plank Top & Bottom View
 PD-01

Scale: 1-1/2" = 1'-0"

QTY.:
--

Does Not Include Closet Stock or Spares

NOTES:
 - Dimensions are to be field verified prior to fabrication. Changes in dimensions may result in quantity adjustments.
 - Closet stock and spares are not included and must be added to quantity shown if needed.
 - Refer to PD-10 for installation details.

ARCHITECT

CUSTOMER

REPRESENTATIVE

DATE	REVISIONS	#

PROJECT TITLE

PROJECT LOCATION

SHEET REFERENCE

PRODUCT

SHEET TITLE
 PRODUCTION SPECIFICATIONS
 Linear Plank Closed R. (T&G)

DATE	DRWN	CHECK
4/13/20	P.I.	D.T.

SHEET NO.


PD-01

Linear Wood - Rectangular boards oriented horizontally.	
Board Length: ± 0.062" (1/16")	Blade Width: ± 0.062" (1/16")
Board Thickness	± 0.031" (1/32")
Linear Reveal Width (D)	≤ 0.062" (1/16")
Bowing (Upward in 24")	≤ 0.062" (1/16")
Crook (Deviation in 24")	± 0.062" (1/16")
Cupping (6" wide board)	± 0.031" (1/32")
Board end squareness	± 0.25"
(F)= Per 6" high blade	


NOTES:
 - Dimensions are to be field verified prior to fabrication. Changes in dimensions may result in quantity adjustments.
 - Closet stock and spares are not included and must be added to quantity shown if needed.

Notes:

- All dimensions are shown for reference and will have to be modified for field installation.
- Fixtures to be hung independently from ceiling support system. Fixtures may include but are not limited to - light fixtures, HVAC diffusers, sprinkler heads and/or piping, speakers, security cameras, components, etc.
- Utilize the use of cut-offs where appropriate - product quantities based on partial products being used.
- Contractor to follow CISCA guidelines for hanging grid system. Our ceilings are heavier than typical ceiling products. Main grid "T" recommended at 2'-0" on center.
- Our wood ceiling reflected plans will include penetrations of limited light fixtures and HVAC registers only when the size of the wood is impacted. Other penetrations, including but not limited to sprinklers, security cameras audio-visual, etc.. will not be included in our drawing set due to the fact that we will not claim understanding and liability of placement or code requirement.
- Ceiling fixtures shown for reference only - lights and mechanical elements by others.
- See Product Master Sheets for edge condition details.
- All products should be reviewed before installation to avoid undesirable visual pattern because of natural color and grain variations.
- All product field cut must be sealed with a clear sealer or stained then sealed.
- CertainTeed 15/16" & 9/16"HD T-Bar sold separately visit www.certainteed.com/suspension-systems/ for more information and purchasing options.



Certainteed Ceiling Corporation
 20 Moores Road
 Malvern, PA, 19355
 800-233-8990



The mark of responsible forestry
 FSC® C151918

Certificate Code:
 SCS-COC-006960

Only the products that are identified as such on this document are FSC® certified

ARCHITECT

CUSTOMER

REPRESENTATIVE

DATE									
REVISIONS									
#									

PROJECT TITLE

PROJECT LOCATION

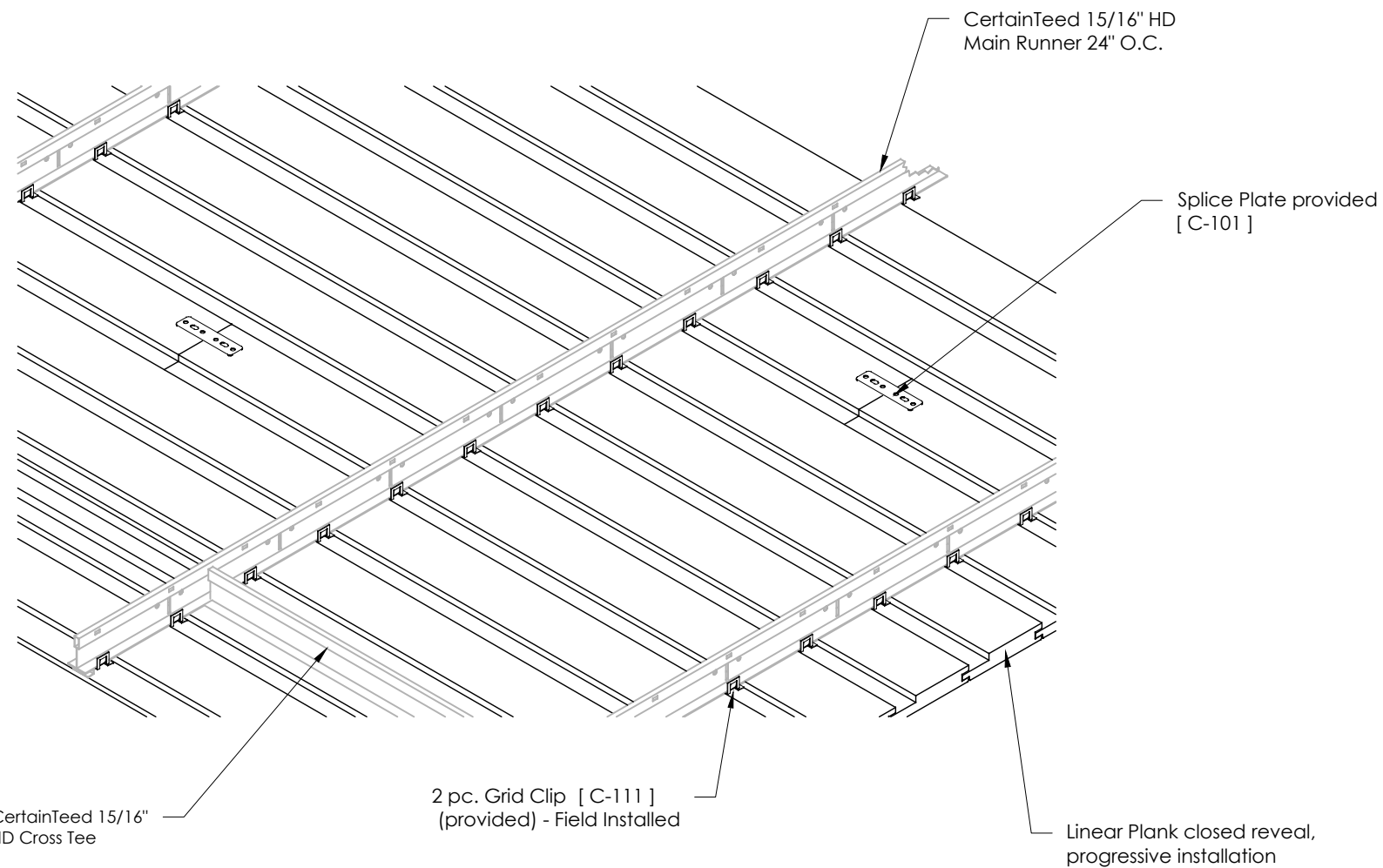
SHEET REFERENCE

PRODUCT

SHEET TITLE
PRODUCT TOLERANCES &
PRODUCT NOTES

DATE 4/13/20	DRWN P.I.	CHECK D.T.
-----------------	--------------	---------------

SHEET NO.
PD-09

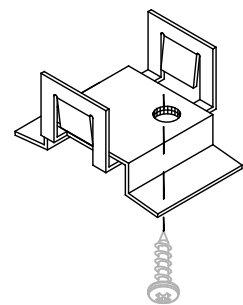


A 3305U1 Linear Plank 3D View

PD-10

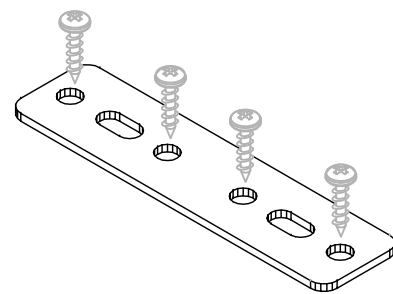
Scale: NTS

Grid Clip - [C-111]- heavy duty steel, plank grid engagement clip.



Each Plank requires the 2-part Grid Clip 24" O.C. In addition, a minimum of (2) two Grid Clips per plank must be secured to the grid with Self Tap screws (BO). Maximum cantilever from T-Bar is 6".

Splice Plate - [C-101] End to end plank stabilizer.

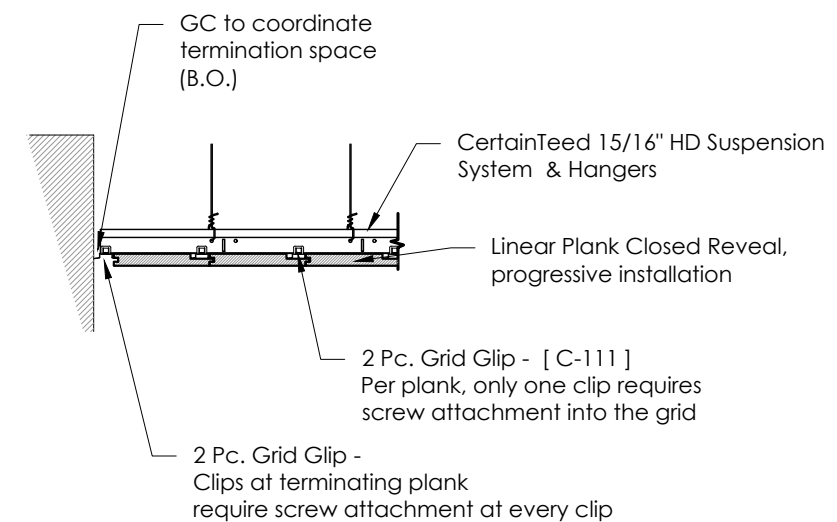


Fasten with (4) #6-5/8" pan head wood screws provided. Installed at end to end plank seam to prevent lateral movement.

B 3305U1 Linear Plank Hardware 3D View

PD-10

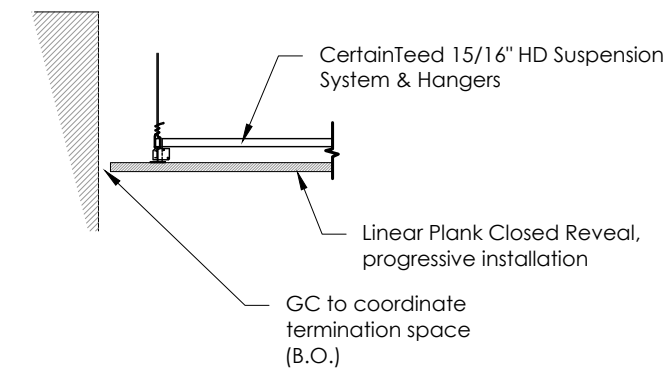
Scale: NTS



C 3305U1 Linear Plank End Detail

PD-10

Scale: 1" = 1' 0"



D 3305U1 Linear Plank End Detail

PD-10

Scale: 1" = 1' 0"

ARCHITECT

CUSTOMER

REPRESENTATIVE

DATE				
REVISIONS				
#				

PROJECT TITLE

PROJECT LOCATION

SHEET REFERENCE

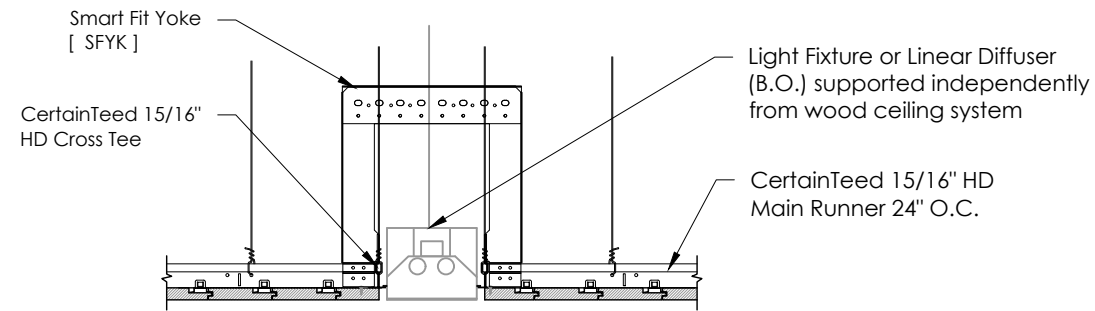
PRODUCT

SHEET TITLE
LINEAR PLANK (T&G)
INSTALLATION DETAIL

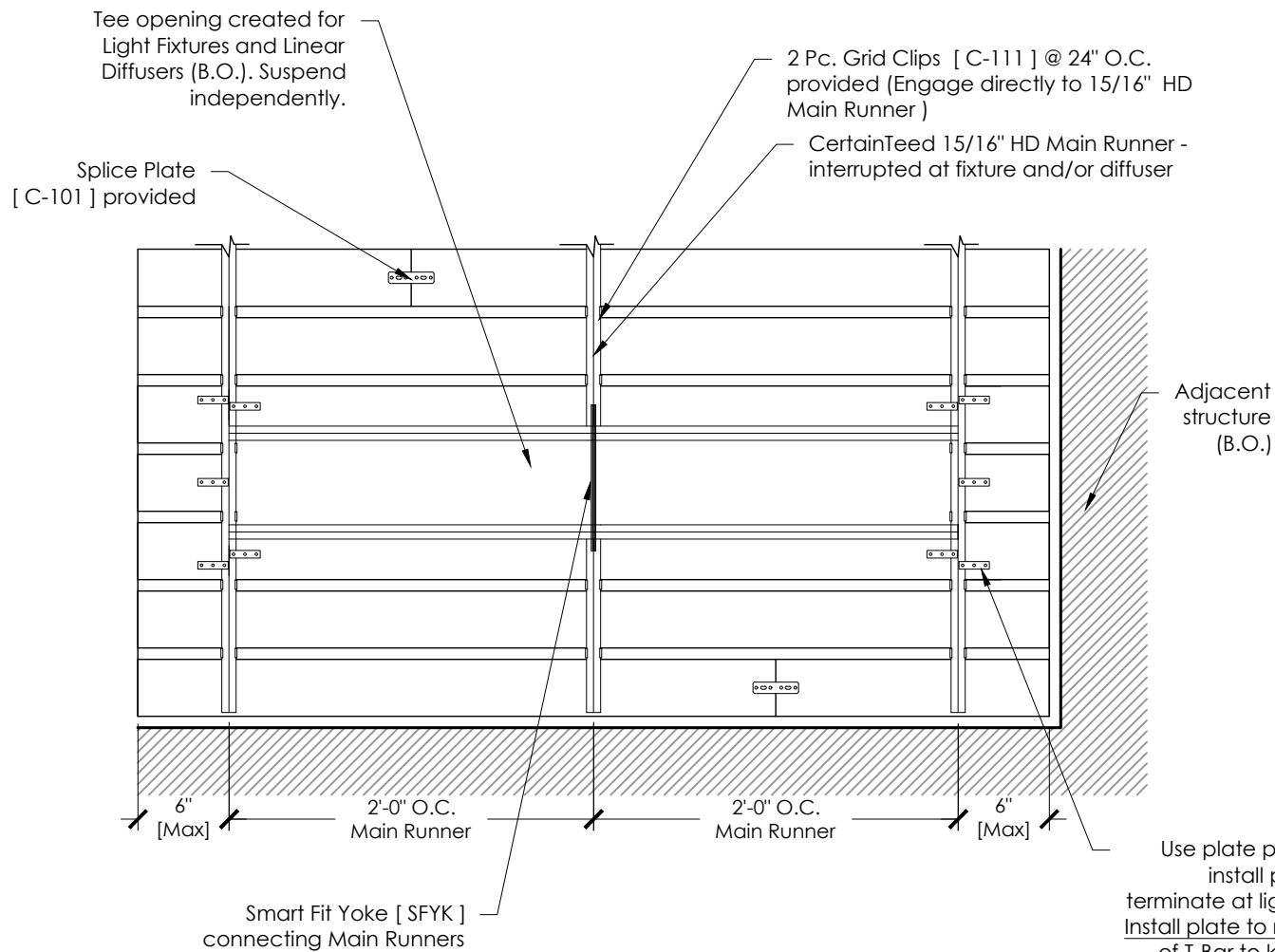
DATE	DRWN	CHECK
4/13/20	P.I.	D.T.

SHEET NO.

PD-10

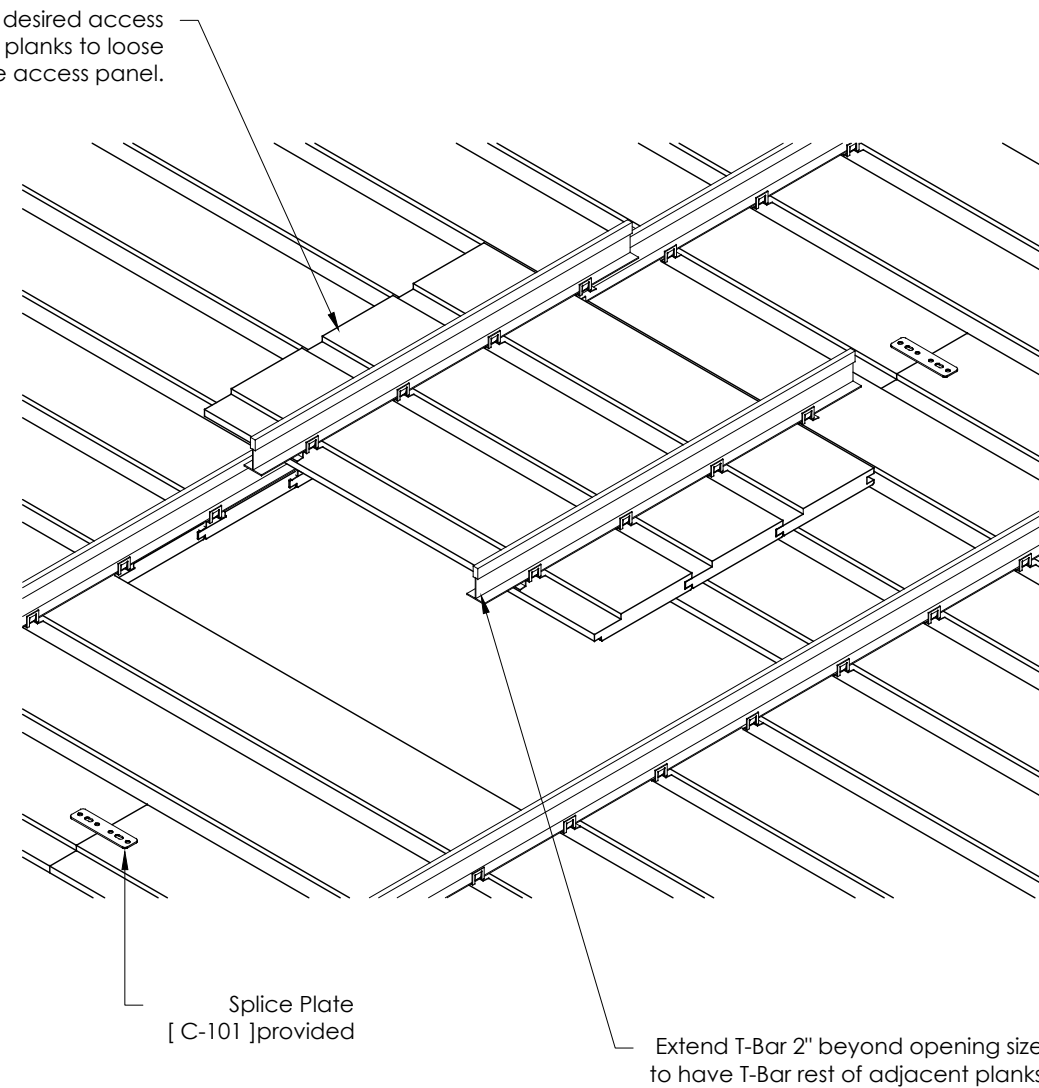


A 3305U1 Linear Plank Light Fixture Section
 PD-11 Scale: 1" = 1' 0"



B 3305U1 Linear Plank Light Fixture Plan Detail
 PD-11 Scale: 1" = 1' 0"

Cut linear planks to desired access panel size. Attach planks to loose T-Bar to create access panel.



C 3305U1 Linear Plank Access Panel
 PD-11 Scale: NTS

Use plate provided to install planks that terminate at light fixtures. Install plate to rest on top of T-Bar to keep plank ends in alignment.

DATE	REVISIONS	#

These drawings show typical conditions for installing the CertainTeed Ceilings product shown. They should not be construed as a substitute for an architectural or engineering design and do not reflect the unique requirements of local codes, laws, statutes or regulations that may be applicable for a specific installation. CertainTeed Ceilings assumes no liability for the accuracy or completeness of the drawings for a specific installation or the fitness of the drawings for a particular purpose. The user is advised to consult with local licenced design professionals in order to assure compliance with all legal requirements. CertainTeed Ceilings is not licenced to provide professional engineering or architectural services.