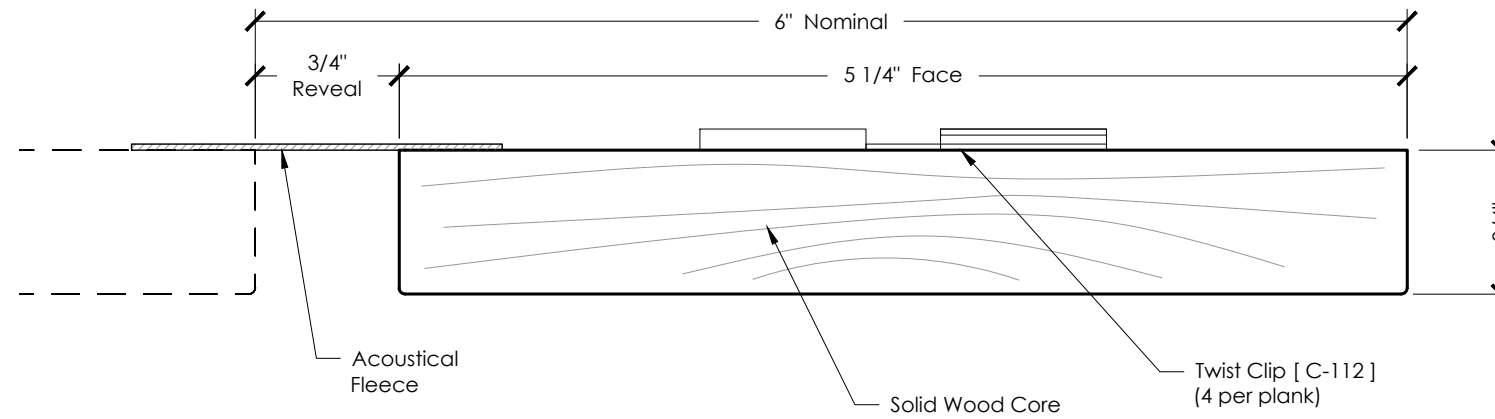
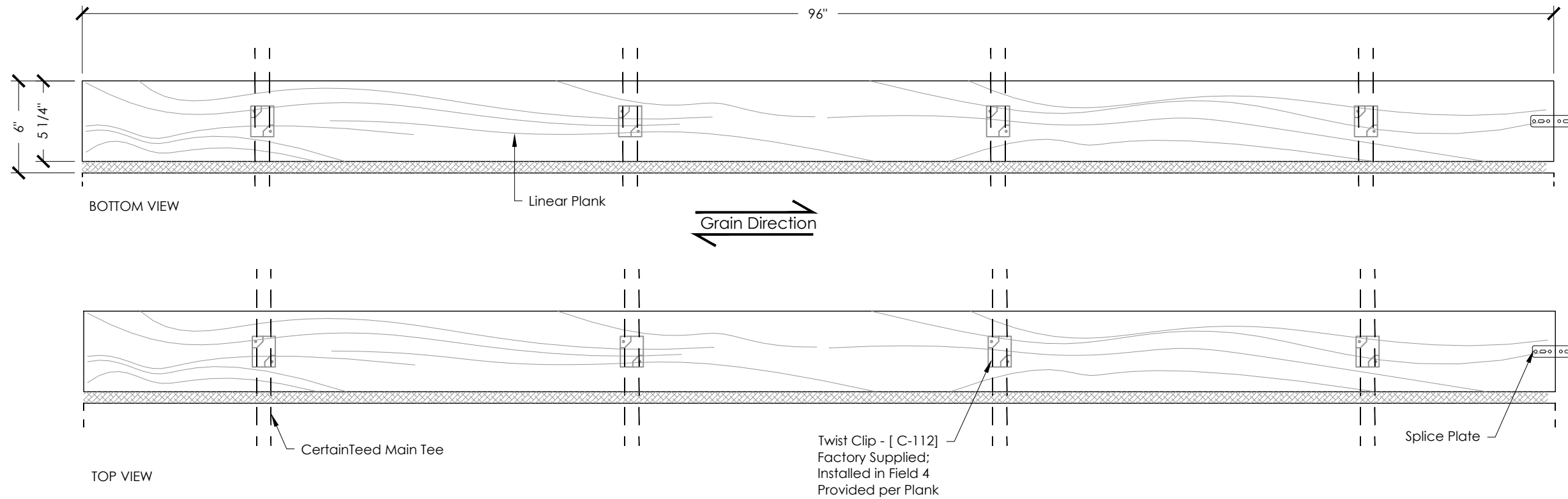


Type: 3115L6 Linear Plank (Felt Reveal Twist Clip)  
 Module: Nominal Size (6" x 96")  
 Core: 3/4" Solid Wood  
 Veneer/Stain: Solid Wood species  
 Finish: Clear Topcoat, 20% sheen  
 Rating: Class C per ASTM E84  
 Mounting: Twist Clip [ C-112 ], Progressively Installed  
 Accessories: Acoustical Fleece



**A** 3305U1 Linear Plank Section View  
 PD-01

Scale: 1'-0" = 1'-0"



**B** linear Plank Top & Bottom View  
 PD-01

Scale: 1-1/2" = 1'-0"

|       |
|-------|
| QTY.: |
| --    |

Does Not Include Closet Stock or Spares

**NOTES:**  
 - Dimensions are to be field verified prior to fabrication. Changes in dimensions may result in quantity adjustments.  
 - Closet stock and spares are not included and must be added to quantity shown if needed.  
 - Refer to PD-10 for installation details.  
 - Seal cut ends with factory provided sealant

Only the products that are identified as such on this document are FSC® certified

ARCHITECT

CUSTOMER

REPRESENTATIVE

| DATE | REVISIONS | # |
|------|-----------|---|
|      |           |   |
|      |           |   |
|      |           |   |
|      |           |   |
|      |           |   |
|      |           |   |
|      |           |   |
|      |           |   |
|      |           |   |

PROJECT TITLE

PROJECT LOCATION

SHEET REFERENCE

PRODUCT

SHEET TITLE  
 PRODUCTION SPECIFICATIONS  
 Linear Plank Felt R. (Twist Clip)

|         |      |       |
|---------|------|-------|
| DATE    | DRWN | CHECK |
| 3/25/20 | P.I. | D.T.  |

SHEET NO.

PD-01

These drawings show typical conditions for installing the CertainTeed Ceilings product shown. They should not be construed as a substitute for an architectural or engineering design and do not reflect the unique requirements of local codes, laws, statutes or regulations that may be applicable for a specific installation. CertainTeed Ceilings assumes no liability for the accuracy or completeness of the drawings for a specific installation or the fitness of the drawings for a particular purpose. The user is advised to consult with local licenced design professionals in order to assure compliance with all legal requirements. CertainTeed Ceilings is not licenced to provide professional engineering or architectural services.

ARCHITECT

CUSTOMER

REPRESENTATIVE

|           |  |  |  |  |  |  |  |  |  |  |
|-----------|--|--|--|--|--|--|--|--|--|--|
| DATE      |  |  |  |  |  |  |  |  |  |  |
|           |  |  |  |  |  |  |  |  |  |  |
| REVISIONS |  |  |  |  |  |  |  |  |  |  |
|           |  |  |  |  |  |  |  |  |  |  |
| #         |  |  |  |  |  |  |  |  |  |  |

PROJECT TITLE

PROJECT LOCATION

SHEET REFERENCE

PRODUCT

SHEET TITLE  
PRODUCT TOLERANCES &  
PRODUCT NOTES

|         |      |       |
|---------|------|-------|
| DATE    | DRWN | CHECK |
| 3/25/20 | P.I. | D.T.  |

SHEET NO.

PD-09

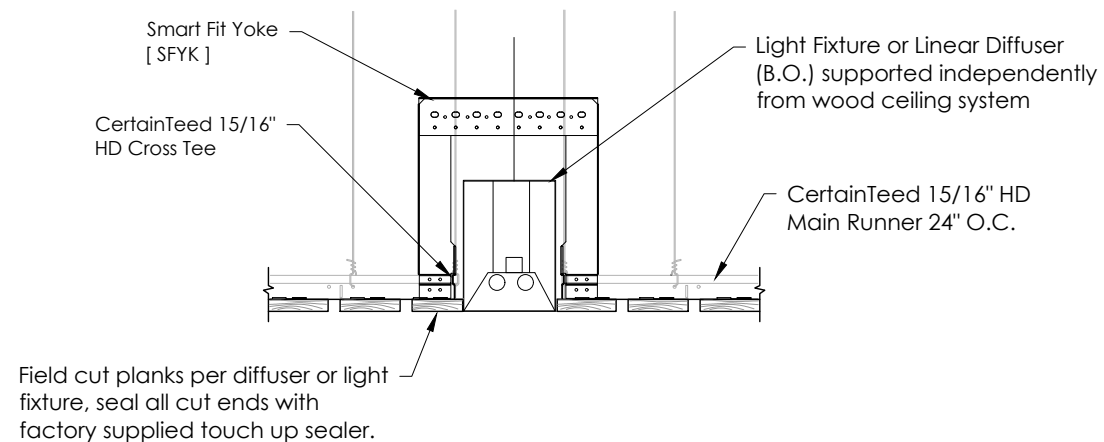
| Linear Wood - Rectangular boards oriented horizontally. |                               |
|---|-------------------------------|
| Blade Length: ± 0.062" (1/16")                          | Blade Width: ± 0.062" (1/16") |
| Board Thickness   | ± 0.062" (1/16")              |
| Linear Reveal Width (factory assembled panels)          | ± 0.062" (1/16")              |
| Bowing (Up or down in 24") (A)                          | ≤ 0.062" (1/16")              |
| Crook (Deviation in 24")                                | ± 0.062" (1/16")              |
| Cupping (6" wide board)                                 | ± 0.031" (1/32")              |
| End-cut squareness                                      | ± 0.25"                       |
| (A)= Supported on 24" centers                           |                               |

NOTES:  
- Dimensions are to be field verified prior to fabrication. Changes in dimensions may result in quantity adjustments.  
- Closet stock and spares are not included and must be added to quantity shown if needed.

**Notes:**

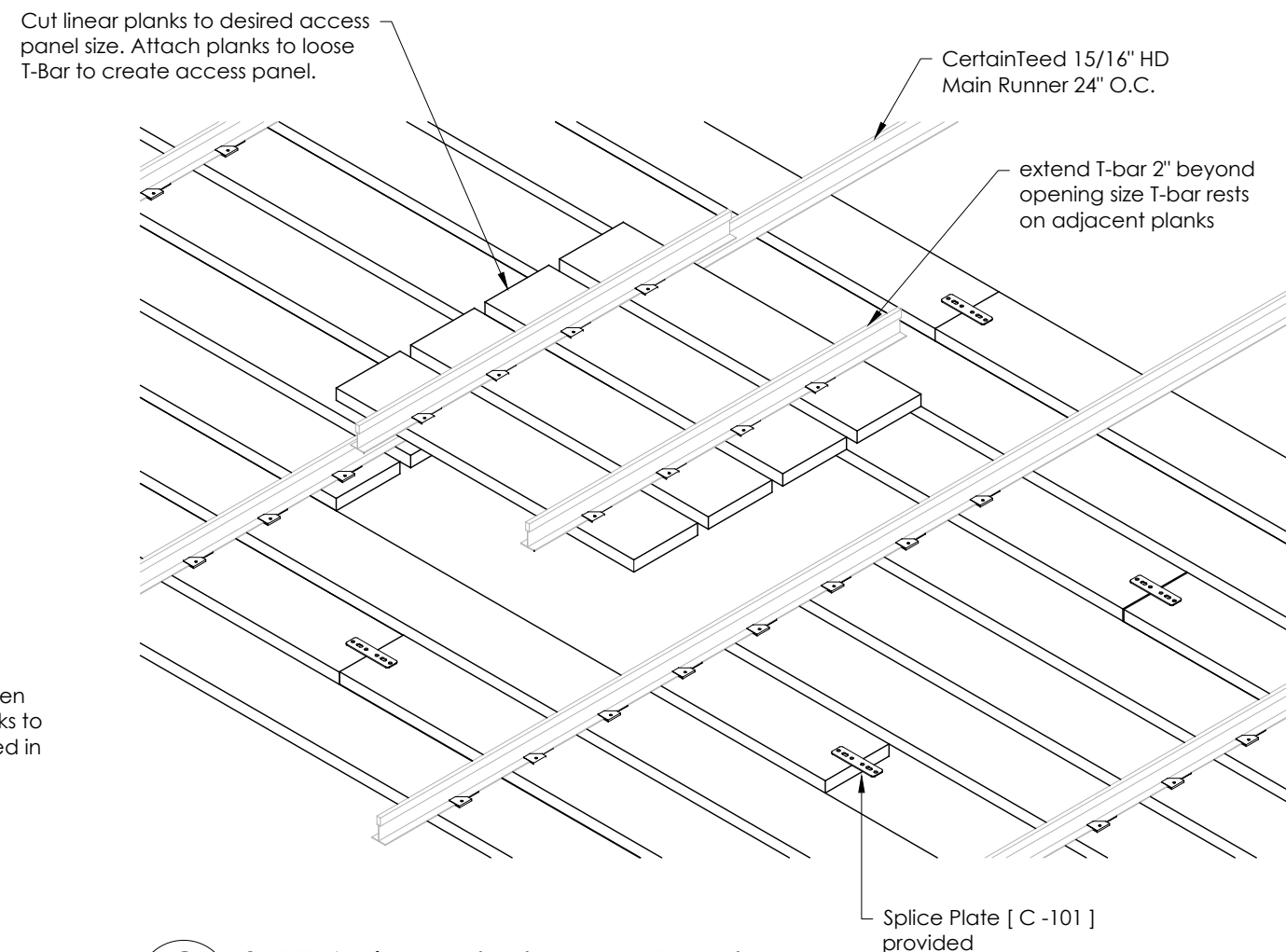
- 1.** All dimensions are shown for reference and will have to be modified for field installation.
- 2.** Fixtures to be hung independently from ceiling support system. Fixtures may include but are not limited to - light fixtures, HVAC diffusers, sprinkler heads and/or piping, speakers, security cameras, components, etc.
- 3.** Utilize the use of cut-offs where appropriate - product quantities based on partial products being used.
- 4.** Contractor to follow CISCA guidelines for hanging grid system. Our ceilings are heavier than typical ceiling products. Main grid "T" recommended at 2'-0" on center.
- 5.** Our wood ceiling reflected plans will include penetrations of limited light fixtures and HVAC registers only when the size of the wood is impacted. Other penetrations, including but not limited to sprinklers, security cameras audio-visual, etc.. will not be included in our drawing set due to the fact that we will not claim understanding and liability of placement or code requirement.
- 6.** Ceiling fixtures shown for reference only - lights and mechanical elements by others.
- 7.** See Product Master Sheets for edge condition details.
- 8.** All products should be reviewed before installation to avoid undesirable visual pattern because of natural color and grain variations.
- 9.** All product field cut must be sealed with a clear sealer or stained then sealed.
- 10.** CertainTeed 15/16" & 9/16"HD T-Bar sold separately visit [www.certainteed.com/suspension-systems/](http://www.certainteed.com/suspension-systems/) for more information and purchasing options.





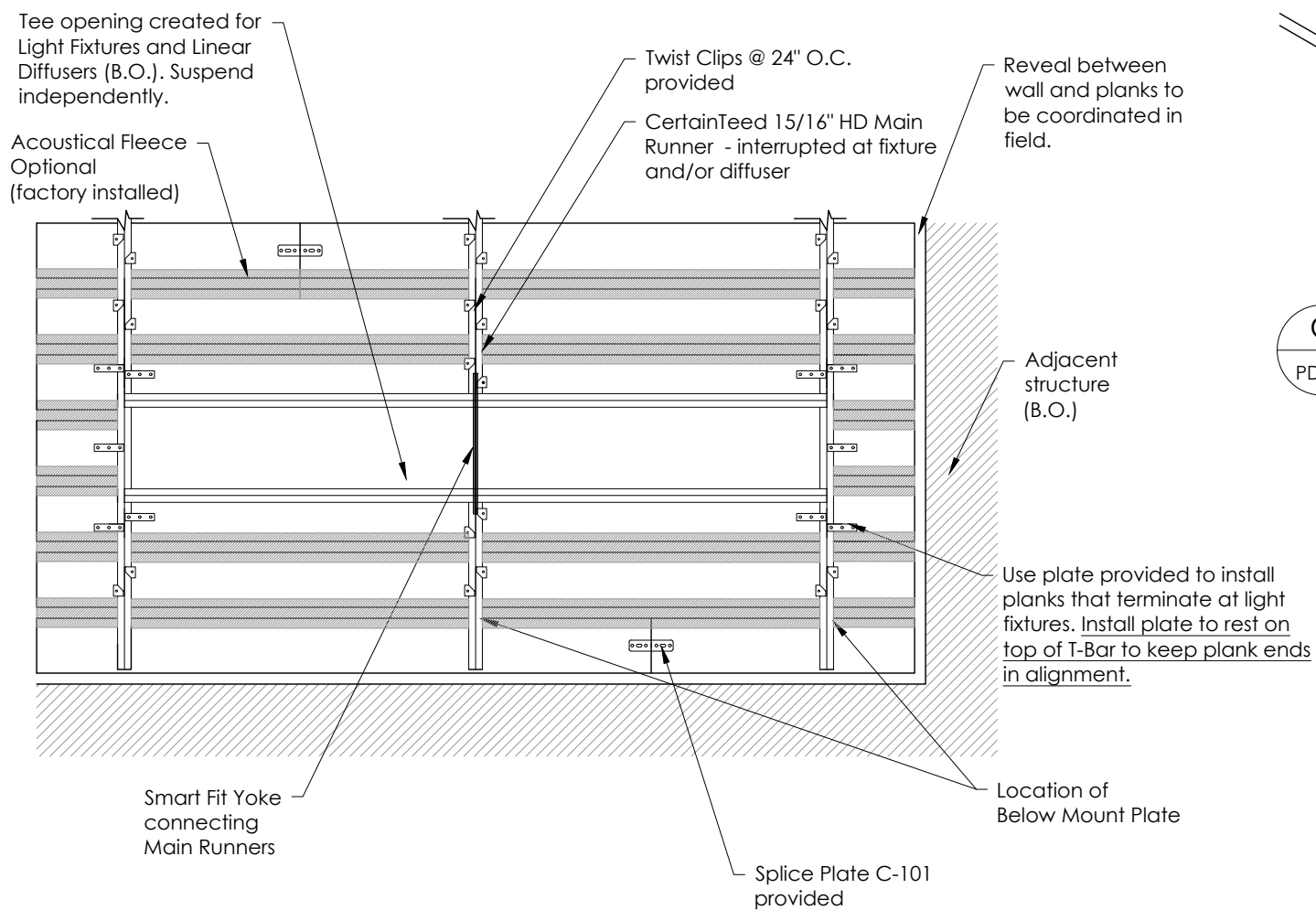
**A** 3115L6 Linear Plank Light Fixture Section

PD-11 Scale: 1" = 1' 0"



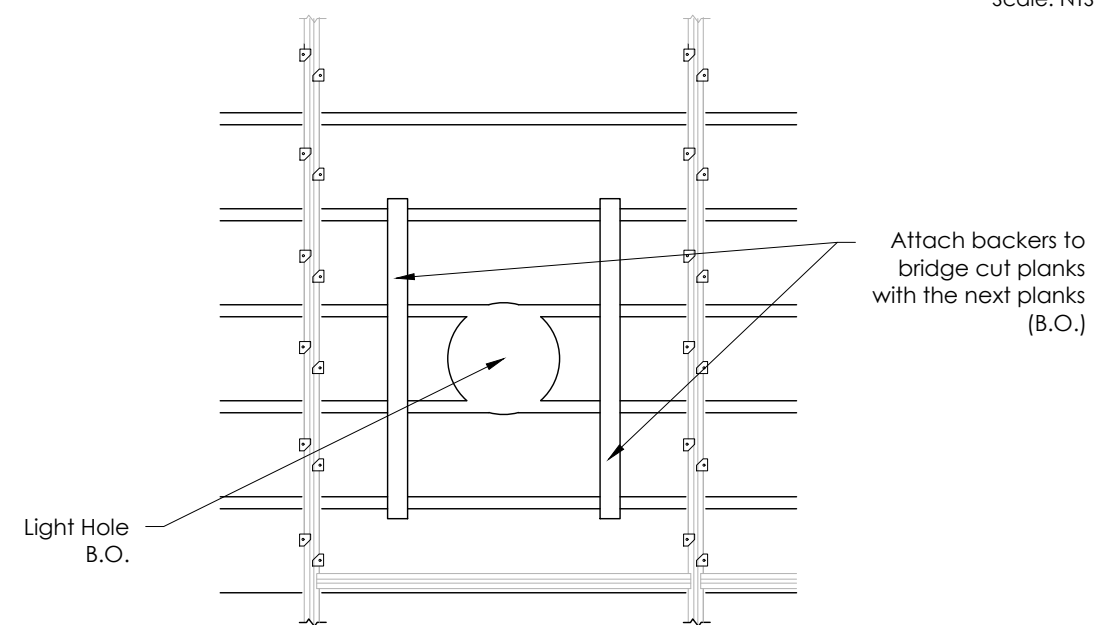
**C** 3115L6 Linear Plank Access Panel

PD-11 Scale: NTS



**B** 3115L6 Linear Plank Light Fixture Plan Detail

PD-11 Scale: 1" = 1' 0"



**C** 3115L6 Linear Plank Light Hole Detail

PD-11 Scale: 1" = 1' 0"

ARCHITECT

CUSTOMER

REPRESENTATIVE

| DATE | REVISIONS | # |
|------|-----------|---|
|      |           |   |
|      |           |   |
|      |           |   |
|      |           |   |
|      |           |   |
|      |           |   |
|      |           |   |
|      |           |   |
|      |           |   |

PROJECT TITLE

PROJECT LOCATION

SHEET REFERENCE

PRODUCT

SHEET TITLE  
LINEAR PLANK (T&G)  
INSTALLATION DETAIL

| DATE    | DRWN | CHECK |
|---------|------|-------|
| 3/25/20 | P.I. | D.T.  |

SHEET NO.

PD-11