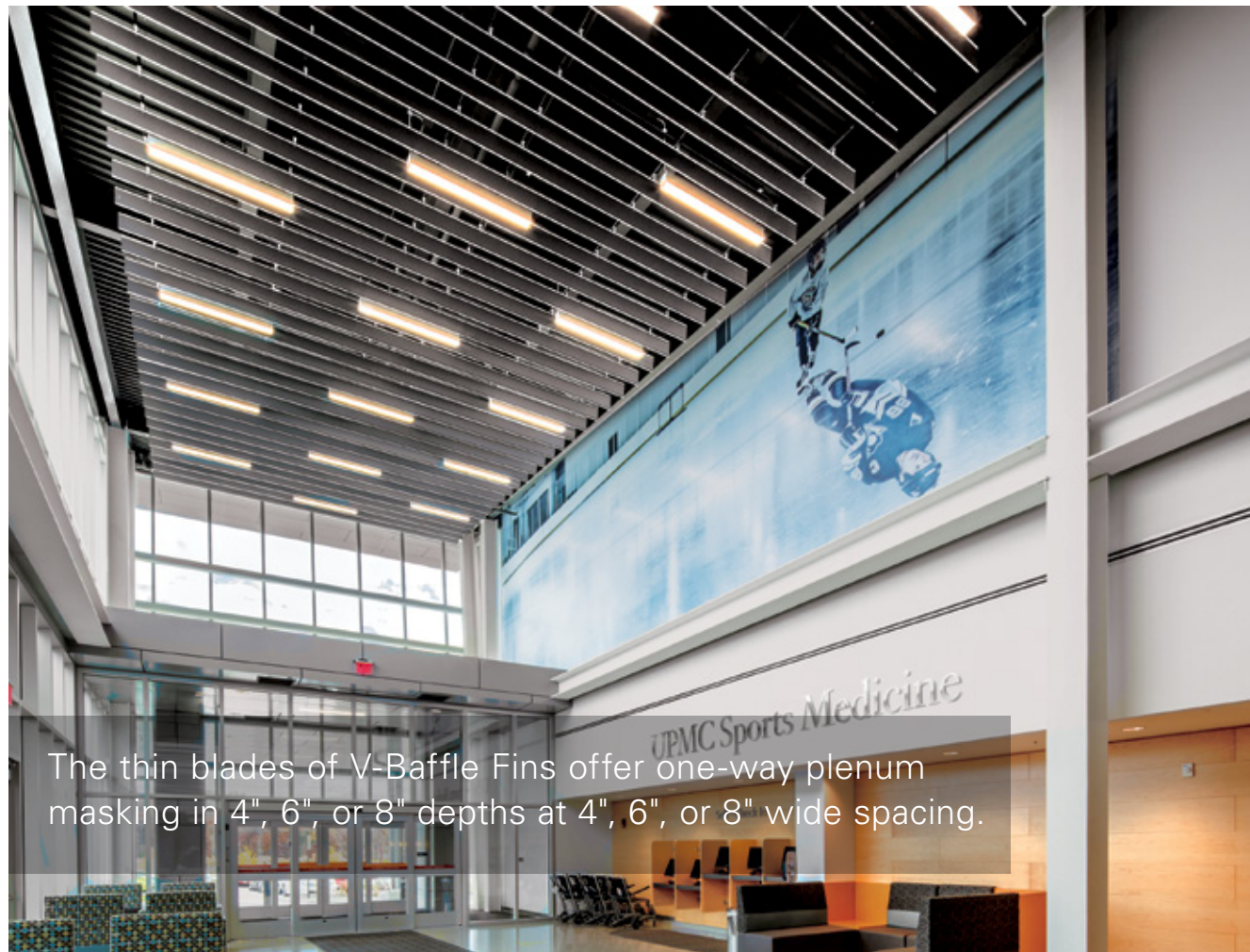


METAL CEILINGs

BEAMS & BAFFLES
V-BAFFLE FINs



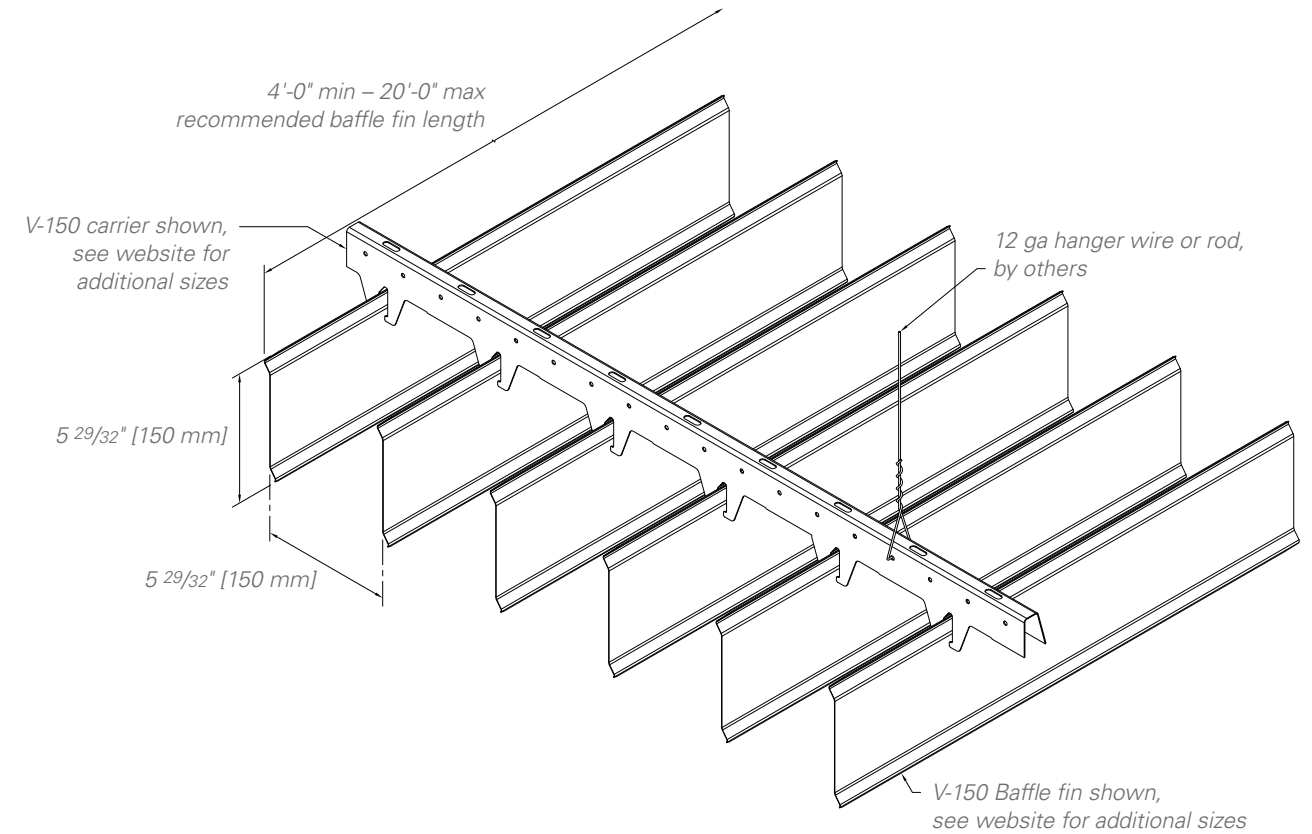
The thin blades of V-Baffle Fins offer one-way plenum masking in 4", 6", or 8" depths at 4", 6", or 8" wide spacing.

Project: UPMC Lemieux Sport Complex, Cranberry Township, PA; V-Baffle Fins Photo credit: Bob Perzel

KEY FEATURES

- Baffle spacing: 4", 6" or 8" nominal (standard carrier)
- Supports a variety of patterns including basket weave, herringbone, and radial
- Carriers allow design configurations to be horizontal or sloping
- Sliding carriers can be used for repeated plenum access areas
- Waste reduction with factory fabricated dimensional material
- Downweight: reduce dead load with lightweight aluminum
- Easy plenum access
- Compatible with industry standard lighting, HVAC, speaker, fire safety, and security services

TYPICAL ISOMETRICS



PHYSICAL DATA

Substrate: Aluminum
Warranty: 1 year
Seismic rating: Zones A,B,C,D,E,F
Fire rating: Class A Fire Rated per ASTM E84
 – Painted or anodized metal: Flame spread: ≤ 25, Smoke ≤ 50
Weight: Varies 0.5 – 1.0 lbs./sq.ft.
Wind load: N/A
Recycled content: Up to 92%
Light reflectance (LR) Coefficient per ASTM E1264 & ASTM E1477:
 – Cotton White: LR = 0.81

BIM

REVIT files available for BIM contributions, see website for details.

LEED V4 CREDITS

MR: Building Product Disclosure
EQ: Low-Emitting Materials
EQ: Indoor Air Quality Assessment

CERTIFICATIONS

GREENGUARD Gold Certified
 EPDs – available upon request

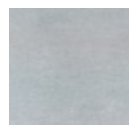
METAL CEILINGS

BEAMS & BAFFLES
V-BAFFLE FINS

COLORS & FINISHES

A wide choice of colors and finishes are available and some carry a premium price over manufacturer's standard colors. Custom color matching is available upon request. Minimum quantities and lead times may apply. See website for the most up to date information and to order samples. Colors are for illustration purposes only.

STANDARD PAINT COLORS



Natural
7163



Cotton White
0280

CUSTOM COLORS

Premium custom colors.



Custom



Project: Mariposa Land Port of Entry, Phoenix, AZ; V-Baffle Fins Photo credit: Bill Timmerman