

METAL
CEILINGSBEAMS & BAFFLES
TAVOLA™ CANTED

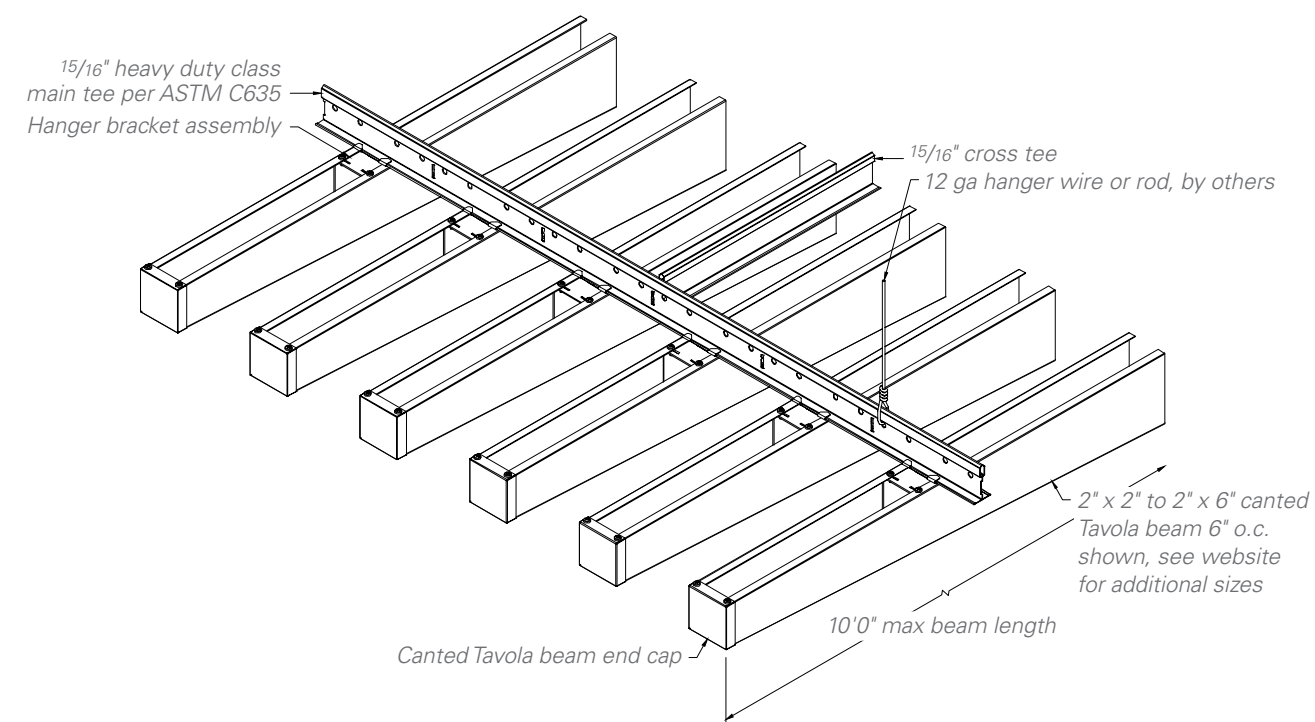
Individual sloping beam members establish a sense of motion in interior ceilings, either following existing conditions or creating new effects.

Project: National Interstate Insurance Company Headquarters, Richfield, OH; Tavola™ Canted Photo credit: Studio 66 LLC

KEY FEATURES

- Create movement with individual sloping beam dimensions
- Three beam types, three beam depths: 2" – 6", 2" – 4", 4" – 6"
- Standard heavy-duty 15/16" T-grid suspension
- Waste reduction with factory fabricated dimensional material
- Downweight: reduce dead load with lightweight aluminum
- Compatible with industry standard lighting, HVAC, speaker, fire safety, and security services

TYPICAL ISOMETRICS



PERFORATION PATTERNS

Tavola™ Canted available only non-perforated.



Non-perforated

PHYSICAL DATA

Substrate: Aluminum
Warranty: 1 year
Seismic rating: Zones A,B,C,D,E,F
Fire rating: Class A Fire Rated per ASTM E84
 – Painted or anodized metal: Flame spread: ≤ 25, Smoke ≤ 50
Weight: Varies 0.5 – 2.0 lbs./sq.ft.
Wind load: N/A
Recycled content: Up to 85%
Light reflectance (LR) Coefficient per ASTM E1264 & ASTM E1477:
 – Cotton White: LR = 0.81

BIM

REVIT files available for BIM contributions, see website for details.

LEED V4 CREDITS

MR: Building Product Disclosure
EQ: Low-Emitting Materials
EQ: Indoor Air Quality Assessment
EQ: Acoustic Performance

CERTIFICATIONS

GREENGUARD Gold Certified
 EPDs – available upon request

METAL CEILINGS

BEAMS & BAFFLES
TAVOLA™ CANTED

COLORS & FINISHES

A wide choice of colors and finishes are available and some carry a premium price over manufacturer's standard colors. Custom color matching is available upon request. Minimum quantities and lead times may apply. See website for the most up to date information and to order samples. Colors are for illustration purposes only.

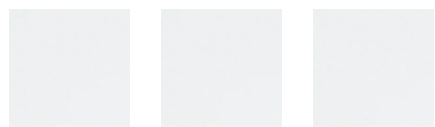
STANDARD PAINT COLORS



Natural 7163
Cotton White 0280

WHITE FINISH OPTIONS

Powder-coat paint finish for Arctic White #1015P (Gloss 10-20); Crystalline White #1050P (Gloss 45-55); Supernova White #1085P (Gloss 80-90)



Arctic White 1015P
Crystalline White 1050P
Supernova White 1085P

BLACK FINISH OPTIONS

Powder-coat paint finish for Starless Black #5000P (Matte); Raven Black #5030P (Gloss 25-35); Sable Black #5060P (Gloss 65-75); Wet Glass Black #5095P (Gloss 90-95)



Starless Black 5000P
Raven Black 5030P
Sable Black 5060P
Wet Glass Black 5095P

CUSTOM COLORS

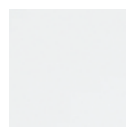
Premium custom colors.



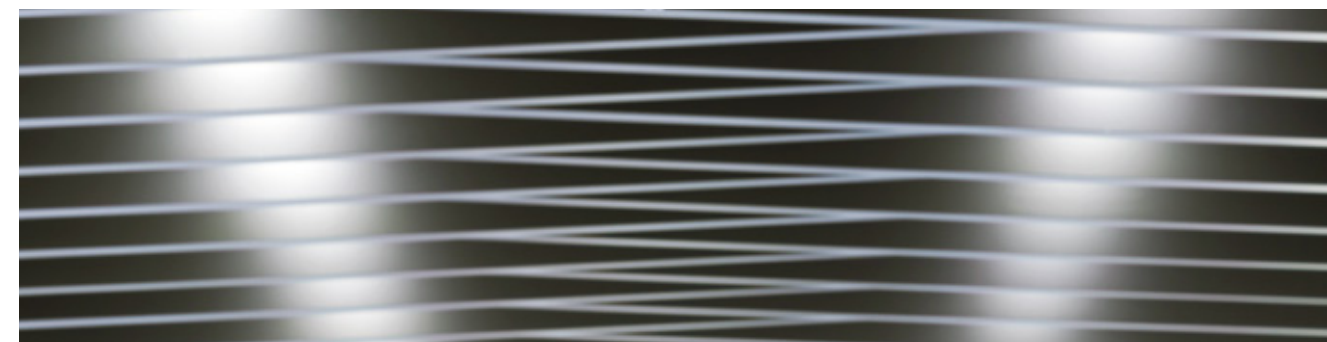
Custom

DAYLIGHTING WHITE PAINT FINISH

Powder-coat paint finish offering LRV 96; non-glare, 3% low gloss finish. Certified by: Applied Technical Services, Inc. Test Report No. D233185. Test reports available by request.



Performance White 9603P



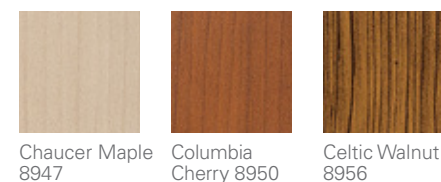
DECORATED WOOD-LOOK OPTIONS

Powder-coat paint finish (interior and exterior). Formaldehyde-free, Class A composite panel. This finish is recommended for exterior conditions.



COIL-COATED WOOD-LOOK OPTIONS

Polyester coil-coated painted finish (interior and exterior). Formaldehyde-free, Class A composite panel. Minimums apply.



LAMINATED (FILM) WOOD FINISHES

Film (interior only). Formaldehyde-free, Class A composite panel. Minimums apply.

