

Wood Ceilings & Walls

STANDARD SELECTION

- Panelized Linear, Grilles, Lay-in Panels, Semi-Concealed Panels, and Trim
- Designed to work with CertainTeed EZ Stab Acoustical Suspension Systems

VENEER OPTIONS



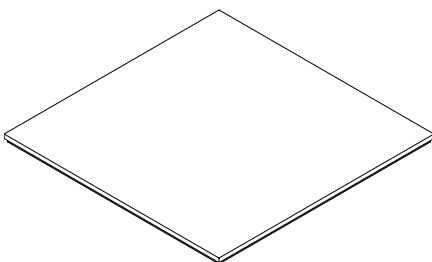
NARROW REVEAL EDGE LAY-IN PANELS (9/16 GRID)

| | PART NUMBER | VENEER SPECIES | CONFIGURATION | DIMENSIONS (W X L X H) (IN.) | WEIGHT (LBS./SQ. FT.) |
|--|-------------|----------------------------|---|------------------------------|-----------------------|
| | 5005U1VMPO | Plain Slice Maple | Reflective Unperforated (UI) | 24 x 24 x 3/4 | 2.8 |
| | 5005U1VVDO | Vertical Grain Douglas Fir | | | |
| | 5005U1VPCO | Plain Slice Cherry | | | |
| | 5005U1VPWO | Plain Slice Walnut | | | |
| | 5005P4VMPO | Plain Slice Maple | 6mm Perforations, 16mm O.C. Linear (P4) | 24 x 24 x 3/4 | 2.5 |
| | 5005P4VVDO | Vertical Grain Douglas Fir | | | |
| | 5005P4VPCO | Plain Slice Cherry | | | |
| | 5005P4VPWO | Plain Slice Walnut | | | |

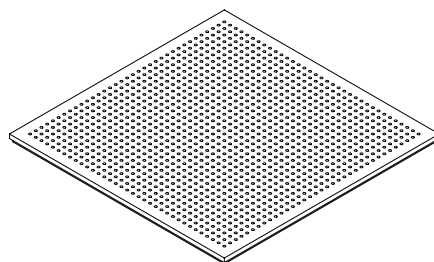
REVEAL EDGE LAY-IN PANELS (15/16 GRID)

| | PART NUMBER | VENEER SPECIES | CONFIGURATION | DIMENSIONS (W X L X H) (IN.) | WEIGHT (LBS./SQ. FT.) |
|--|-------------|----------------------------|---|------------------------------|-----------------------|
| | 5005P4VMPO | Plain Slice Maple | Reflective Unperforated (UI) | 24 x 24 x 3/4 | 2.5 |
| | 5005P4VVDO | Vertical Grain Douglas Fir | | | |
| | 5005P4VPCO | Plain Slice Cherry | | | |
| | 5005P4VPWO | Plain Slice Walnut | | | |
| | 5105P4VMPO | Plain Slice Maple | 6mm Perforations, 16mm O.C. Linear (P4) | 24 x 24 x 3/4 | 2.5 |
| | 5105P4VVDO | Vertical Grain Douglas Fir | | | |
| | 5105P4VPCO | Plain Slice Cherry | | | |
| | 5105P4VPWO | Plain Slice Walnut | | | |

PANEL VISUAL OPTIONS



Reflective Unperforated (UI)

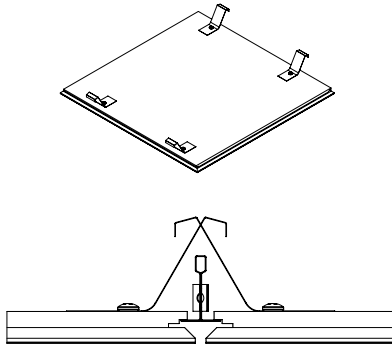


6mm Perforations, 16mm O.C. Linear (P4)

Wood Ceilings & Walls

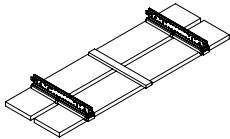
STANDARD SELECTION

SEMI-CONCEALED PANELS



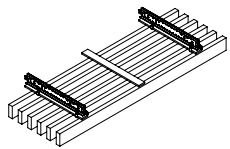
| PART NUMBER | VENEER SPECIES | DIMENSIONS (W X L X H) (IN.) | WEIGHT (LBS./SQ. FT.) | ATTRIBUTES | |
|--|----------------------------|------------------------------|-----------------------|---|--|
| REFLECTIVE UNPERFORATED (UT) | | | | | |
| 5205U1VMP0 | Plain Slice Maple | 24 x 24 x 3/4 | 2.8 | <ul style="list-style-type: none"> ■ 24" x 24" x 3/4" Semi-Concealed Panels ■ 15/16" EZ Stab Classic Heavy Duty Grid ■ Includes C-108 Safety Clips | |
| 5205U1VVDO | Vertical Grain Douglas Fir | | | | |
| 5205U1VPCO | Plain Slice Cherry | | | | |
| 5205U1VPWO | Plain Slice Walnut | | | | |
| 6MM PERFORATIONS, 16MM O.C. LINEAR (P4) | | | | | |
| 5205P4VMP0 | Plain Slice Maple | 24 x 24 x 3/4 | 2.5 | | |
| 5205P4VVDO | Vertical Grain Douglas Fir | | | | |
| 5205P4VPCO | Plain Slice Cherry | | | | |
| 5205P4VPWO | Plain Slice Walnut | | | | |

PANELIZED LINEAR



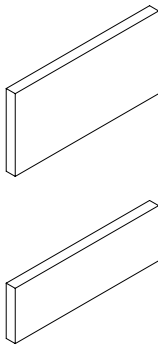
| PART NUMBER | VENEER SPECIES | DIMENSIONS (W X L X H) (IN.) | WEIGHT (LBS./SQ. FT.) | ATTRIBUTES |
|-------------|----------------------------|------------------------------|-----------------------|--|
| 6310L6VMP0 | Plain Slice Maple | 12 x 96 x 1-1/4 | 3.0 | <ul style="list-style-type: none"> ■ 5-1/4" Plank, 3/4" Open Reveal (L6) ■ 15/16" EZ Stab Classic Heavy Duty Grid ■ With included C-124 Backer Clips or direct attach with screws |
| 6310L6VVDO | Vertical Grain Douglas Fir | | | |
| 6310L6VPCO | Plain Slice Cherry | | | |
| 6310L6VPWO | Plain Slice Walnut | | | |

GRILLE BACKER MODULES



| PART NUMBER | VENEER SPECIES | DIMENSIONS (W X L X H) (IN.) | WEIGHT (LBS./SQ. FT.) | ATTRIBUTES |
|-------------|----------------------------|------------------------------|-----------------------|---|
| 4525B1VMP0 | Plain Slice Maple | 12 x 96 x 2-3/4 | 3.0 | <ul style="list-style-type: none"> ■ 6 Blades, 2-1/4" Deep, 3/4" Wide ■ 15/16" EZ Stab Classic Heavy Duty Grid ■ With included C-124 Backer Clips or direct attach with screws |
| 4525B1VVDO | Vertical Grain Douglas Fir | | | |
| 4525B1VPCO | Plain Slice Cherry | | | |
| 4525B1VPWO | Plain Slice Walnut | | | |

SEMI-CONCEALED PANELS



| PART NUMBER | VENEER SPECIES | DIMENSIONS (W X L X H) (IN.) | WEIGHT (LBS./SQ. FT.) | ATTRIBUTES | |
|----------------|----------------------------|------------------------------|-----------------------|--|--|
| 6" TRIM | | | | | |
| 1025T6VMP0 | Plain Slice Maple | 6 x 96 x 3/4 | 3.0 | <ul style="list-style-type: none"> ■ 6" x 96" x 3/4" Trim ■ 4" x 96" x 3/4" Trim ■ Includes installation hardware for Panel or Grid Trim Attachment | |
| 1025T6VVDO | Vertical Grain Douglas Fir | | | | |
| 1025T6VPCO | Plain Slice Cherry | | | | |
| 1025T6VPWO | Plain Slice Walnut | | | | |
| 4" TRIM | | | | | |
| 1025T4VMP0 | Plain Slice Maple | 4 x 96 x 3/4 | 3.0 | | |
| 1025T4VVDO | Vertical Grain Douglas Fir | | | | |
| 1025T4VPCO | Plain Slice Cherry | | | | |
| 1025T4VPWO | Plain Slice Walnut | | | | |



CertainTeed ARCHITECTURAL

METAL • WOOD • FELT • FIBERGLASS & MINERAL FIBER • GYPSUM • SUSPENSION & INTEGRATED SYSTEMS
 20 Moores Road, Malvern, PA 19355 800-233-8990 CertainTeed.com/Architectural