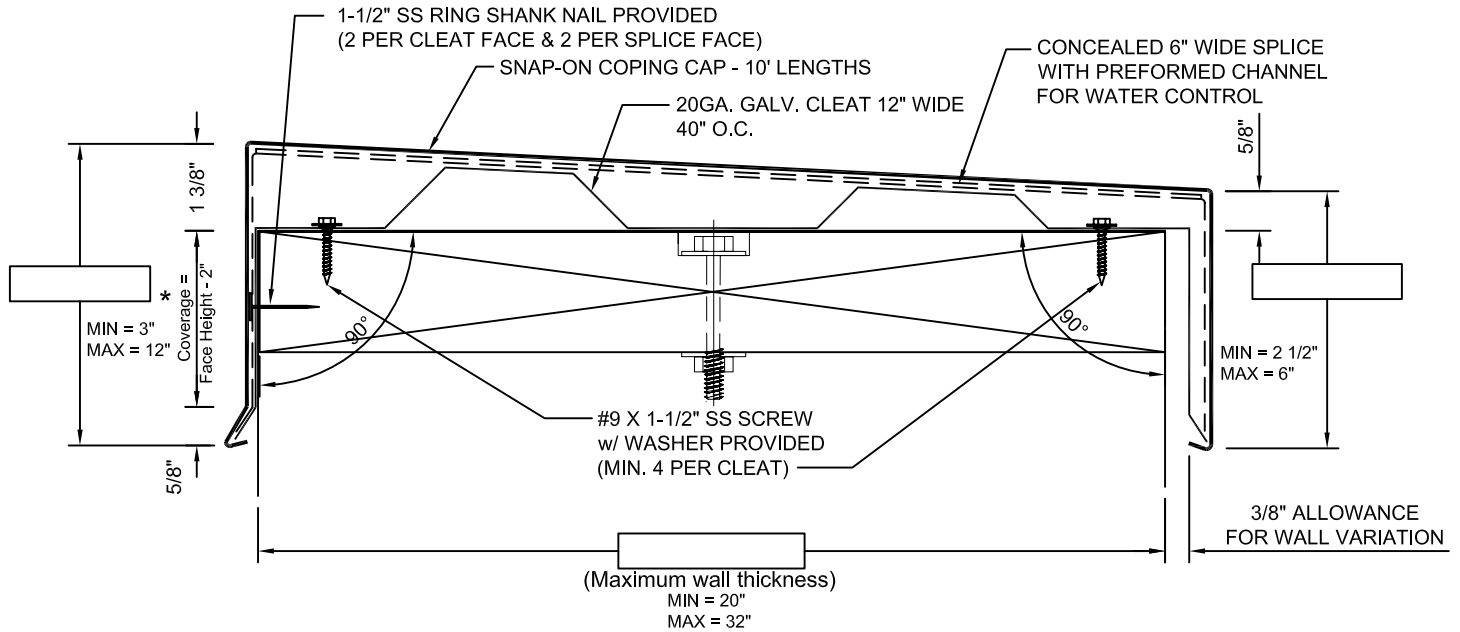


FlintEdge Coping Order /Specification Form

(For Parapets 20" - 32")

ANSI/SPRI ES-1 Tested*

* Please contact manufacturer for verification of test report data on your specific project



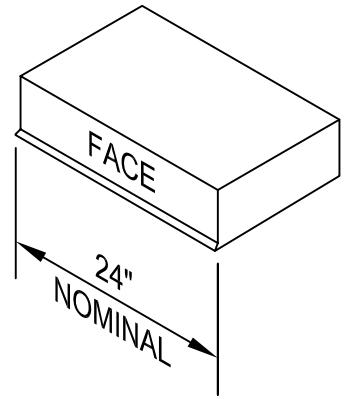
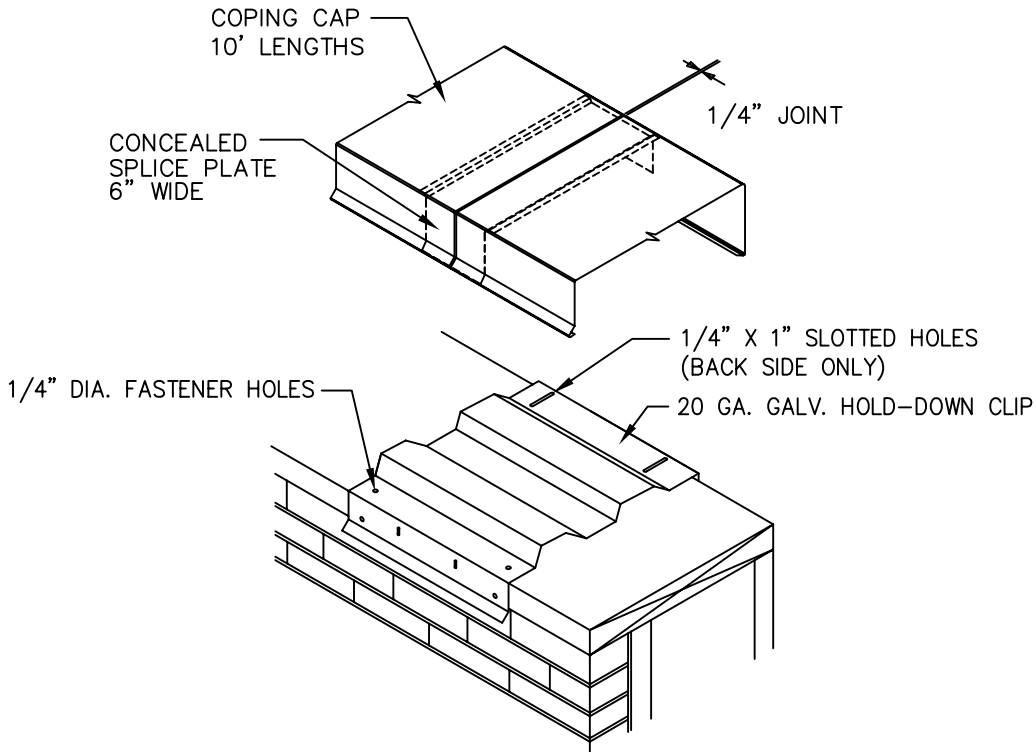
* Minimum 4 1/2" face required for proper coverage of 2x nailer

QUANTITY, THIS DETAIL	MATERIAL	ACCESSORY TYPE	FINISH
_____ TOTAL LF	<input type="checkbox"/> ALUMINUM	<input type="checkbox"/> WELDED	<input type="checkbox"/> MILL FINISH
_____ OUTSIDE CORNERS	<input type="checkbox"/> GALVANIZED	<input type="checkbox"/> METAL-LOK	<input type="checkbox"/> PREFINISHED KYNAR
_____ INSIDE CORNERS	<input type="checkbox"/> _____	* IF ACCESSORY TYPE IS NOT CHECKED, WE WILL ASSUME METAL-LOK.	<input type="checkbox"/> POST FINISHED KYNAR
_____ SPECIAL CORNERS (attach sketches)	THICKNESS		<input type="checkbox"/> PREFINISHED ANODIZE
_____ END CAP - L	<input type="checkbox"/> .050		<input type="checkbox"/> POST FINISHED ANODIZE
_____ END CAP - R	<input type="checkbox"/> .063		<input type="checkbox"/> _____
_____ END TERM - L	<input type="checkbox"/> .080		.063 PREFINISHED KYNAR IS ONLY AVAILABLE IN 7 STD. COLORS.
_____ END TERM - R	<input type="checkbox"/> .125		
_____ RADIUS LF (60" PCS)	<input type="checkbox"/> 24 GA. (FOR 20" - 24" WALLS ONLY)		
_____ RADIUS CORNERS (attach sketches)	<input type="checkbox"/> _____		
			COLOR _____

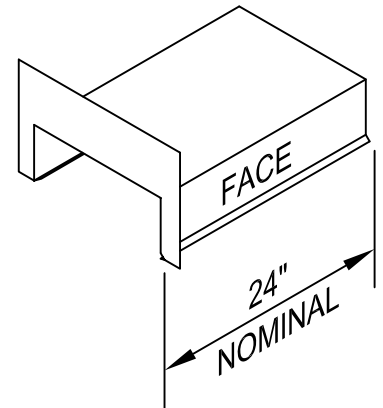
<p>TRANSMITTAL</p> <p><input type="checkbox"/> REQUEST FOR QUOTATION <input type="checkbox"/> REQUEST FOR INFORMATION</p> <p><input type="checkbox"/> SUBMIT AS QUOTATION <input type="checkbox"/> CONFIRMING TELCON</p> <p><input type="checkbox"/> SUBMIT FOR APPROVAL <input type="checkbox"/> FOR YOUR FILES</p> <p>BY: _____ DATE: _____</p>	<p>CUSTOMER APPROVAL :</p> <p><input type="checkbox"/> APPROVED FOR FABRICATION _____</p> <p><input type="checkbox"/> APPROVED WITH CHANGES AUTHORIZED CUSTOMER SIGNATURE _____</p> <p><input type="checkbox"/> DISAPPROVED, RESUBMIT _____</p> <p>TITLE _____ DATE _____</p>
--	--

JOB NAME	JOB #
LOCATION	SHEET OF
CUSTOMER	BY
REPRESENTATIVE	DATE
ARCHITECT	

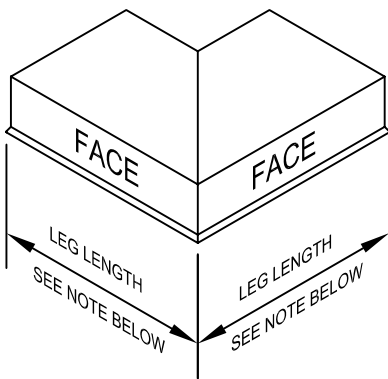
FlintEdge Coping



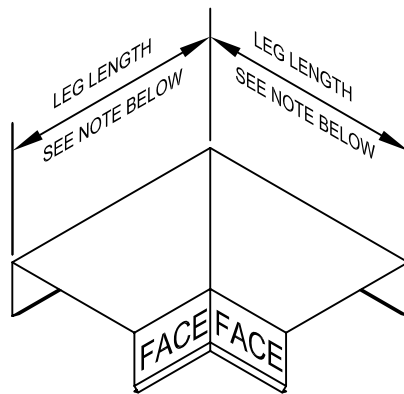
END CAP
RIGHT HAND SHOWN



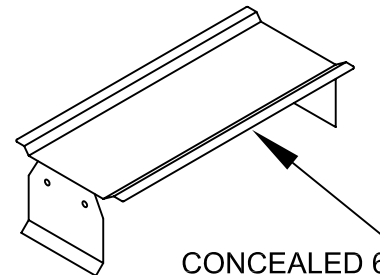
END TERM
LEFT HAND SHOWN



OUTSIDE CORNER



INSIDE CORNER



**CONCEALED 6" WIDE
SPLICE PLATE**

STANDARD COPING CORNERS LEG LENGTHS:
 LENGTH = 23 1/4" FOR 6" - 16" WALL WIDTHS
 LENGTH = 29 1/4" FOR 17" - 23" WALL WIDTHS
 LENGTH = CUSTOM FOR WALL WIDTHS > 23"

FOR SPECIAL CORNER REQUIREMENTS, ATTACH SKETCHES, OR CONSULT MFR. FOR ASSISTANCE.



CertainTeed Roofing
 750 E. Swedesford Road
 Valley Forge, PA 19482
 Phone: (800) 999-5150
 Fax: (800) 999-5350
 Email: ctrpgcscentral@saint-gobain.com
www.certainteed.com