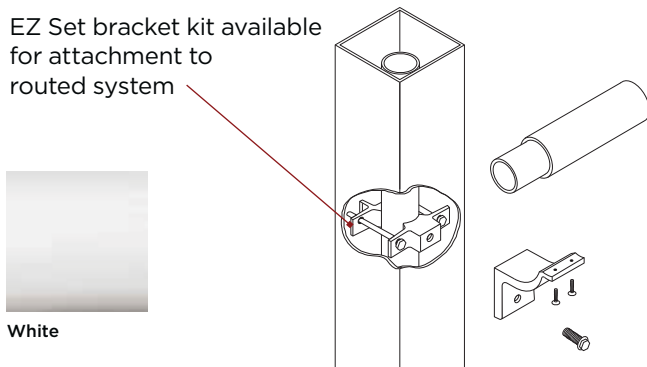


Aluminum Handrail Component System

- ◆ Complies with ADA (Americans with Disabilities Act) requirements for grippable handrails
- ◆ Ideal for use with EverNew railing systems
- ◆ Installs easily on site with no preformed fittings
- ◆ Unique adjustable joiners accommodates any transition - 0° to 90° bends
- ◆ Aluminum construction reduces bowing and provides enduring strength
- ◆ Safe for stair and ramp applications
- ◆ Continuous handrail runs
- ◆ 1-1/2" diameter gripping area
- ◆ Virtually maintenance free
- ◆ Lifetime limited warranty
- ◆ Functional finishing touches: post and wall returns, end caps, return loops and a convenient straight joiner
- ◆ EZ Set bracket kit available for attachment to routed system

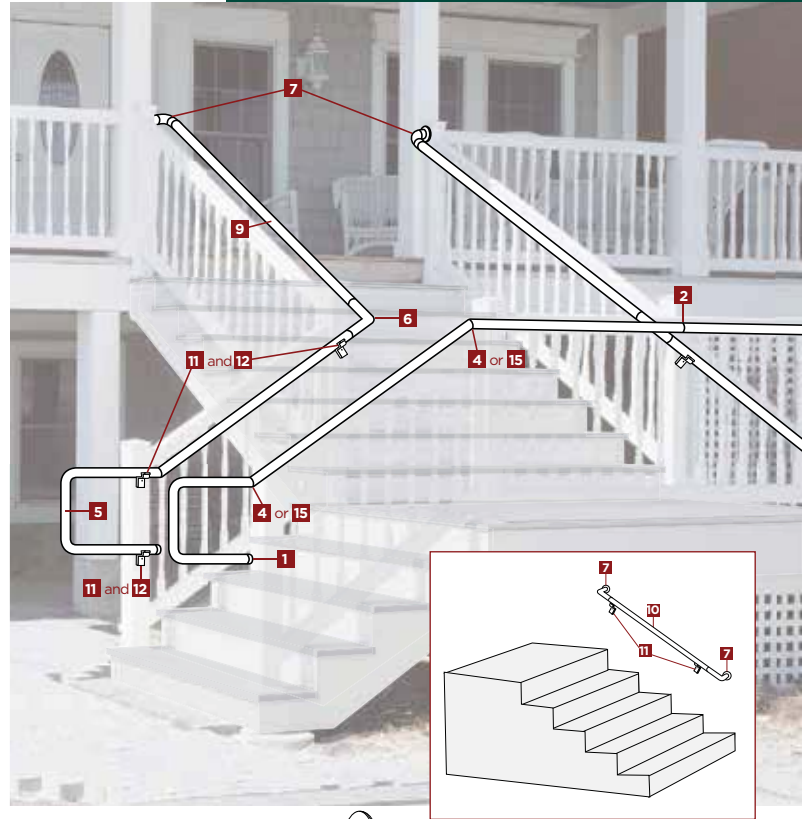


White



Black

Note: Handrail depicted is not free standing and must be anchored to walls or guardrail using handrail bracket assembly (74028/74029). Space a maximum of 6' on center and as close as possible to both sides of any joint. (ADA compliant at 6ft spans)



- 1-1/2" diameter end cap**
- Straight aluminum joiner**
- Straight wall return**
- Adjustable aluminum internal joiner**
- 1-1/2" OD ADA 180° return loop**
- 1-1/2" OD - 90° corner - includes two 3" aluminum joiners**
- 1-1/2" OD - 90° wall return - includes 3" aluminum joiner**
- 1-1/2" OD x 80" handrail**
- 1-1/2" OD x 104" handrail**
- 1-1/2" OD x 120" handrail**
- Handrail bracket assembly**
- Handrail EZ Post attachment kit**
- Handrail joint ring**
- Inside corner bracket**
- Adjustable aluminum external joiner**