

# Ecophon® Focus™ Ds 2x2-2x8

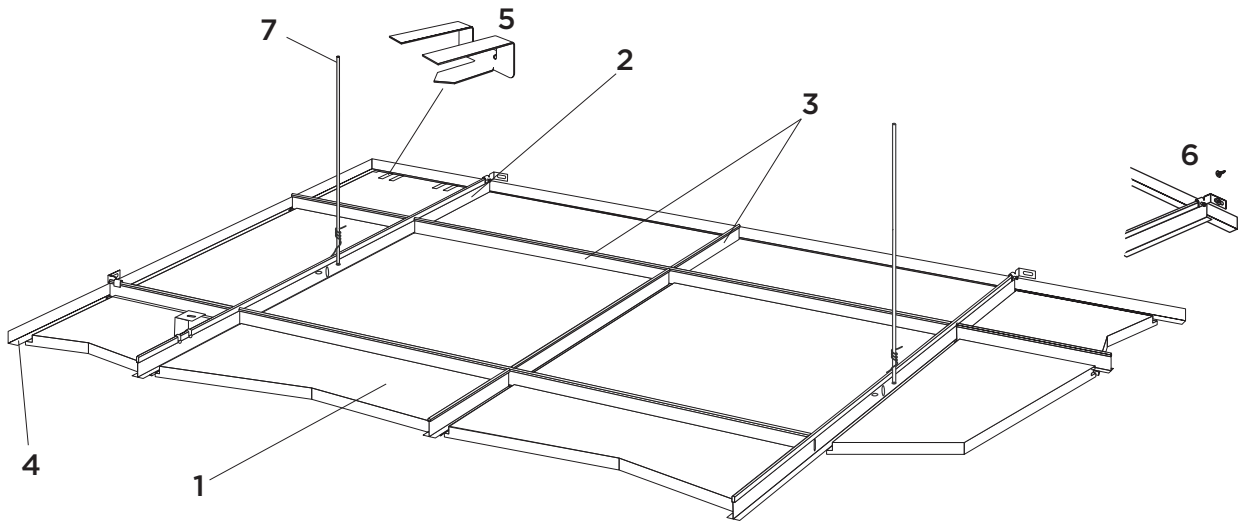
## Alternative Installation Manual

Read the entire manual before installing.

Suited for seismic categories A, B, C, D, E, F

It is important to note that grid installation methodology may require alteration dictated by the project's declared seismic category

Refer to ICC ESR 3336 for additional accessories and installation methods that may be required per the project's seismic category



1. Ecophon Focus Ds Panel (2'x2'-2'x8')

2. CTA 15/16" EZ Stab Classic  
Main Runner (Cat. D,E,F Requires HD)

3. CTA 15/16" EZ Stab Classic  
Cross Tees (where needed)

4. CTA 7/8" Wall Angle  
(WA14-14)

5. Connect DG20 Support Clip  
2630 0547

6. \*Optional\* Connect Wall Bracket T-profile  
2630 0824

7. 12 Gauge Hanger Wire

8. CTA 2-ft Stabilizer Bar (STBAR-2)  
for 2x5, 2x6 & 2x8 modules

### Additional Components:

9. Connect DG Cutting Tool  
2630 0991

10. Connect Edge Sealant  
2630 0691

11. Connect Perimeter Tile Clip  
2631 1080

# Installation for Ecophon® Focus™ Ds for 2x2, 2x4, 2x5, 2x6, & 2x8 Seismic Panels

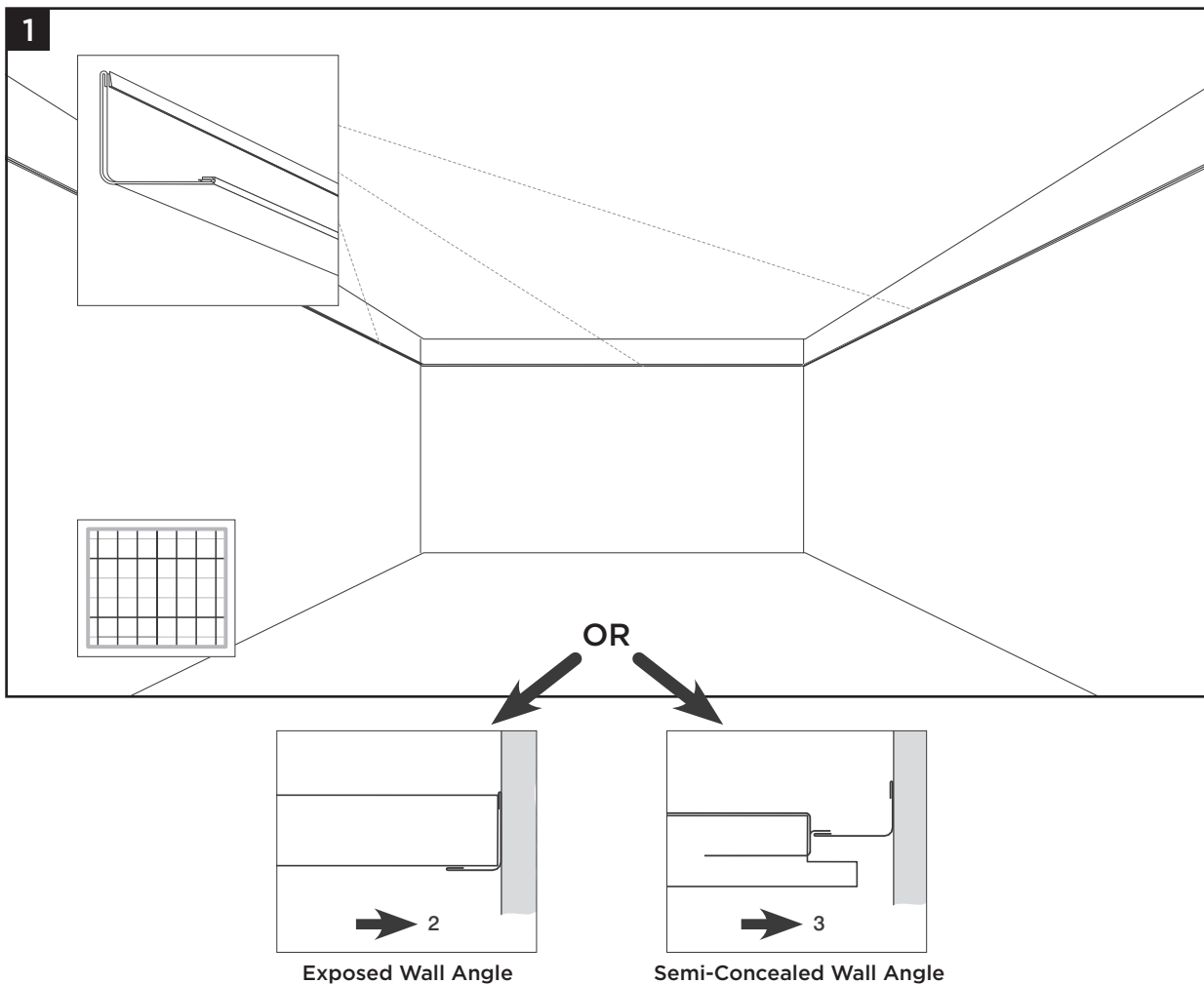
Install in conditions that do not exceed 95% relative humidity and 86-degrees F

**Pre-Installation:** Please read CertainTeed ceiling's Pre-Installation Instructions before you begin this installation and wear clean white gloves when installing the product. Note that the finished surface of Focus Ds Panels is 1/2" below the grid. **Focus Ds is an extremely precise system and the tolerance is near zero. The grid system must be square and level.**

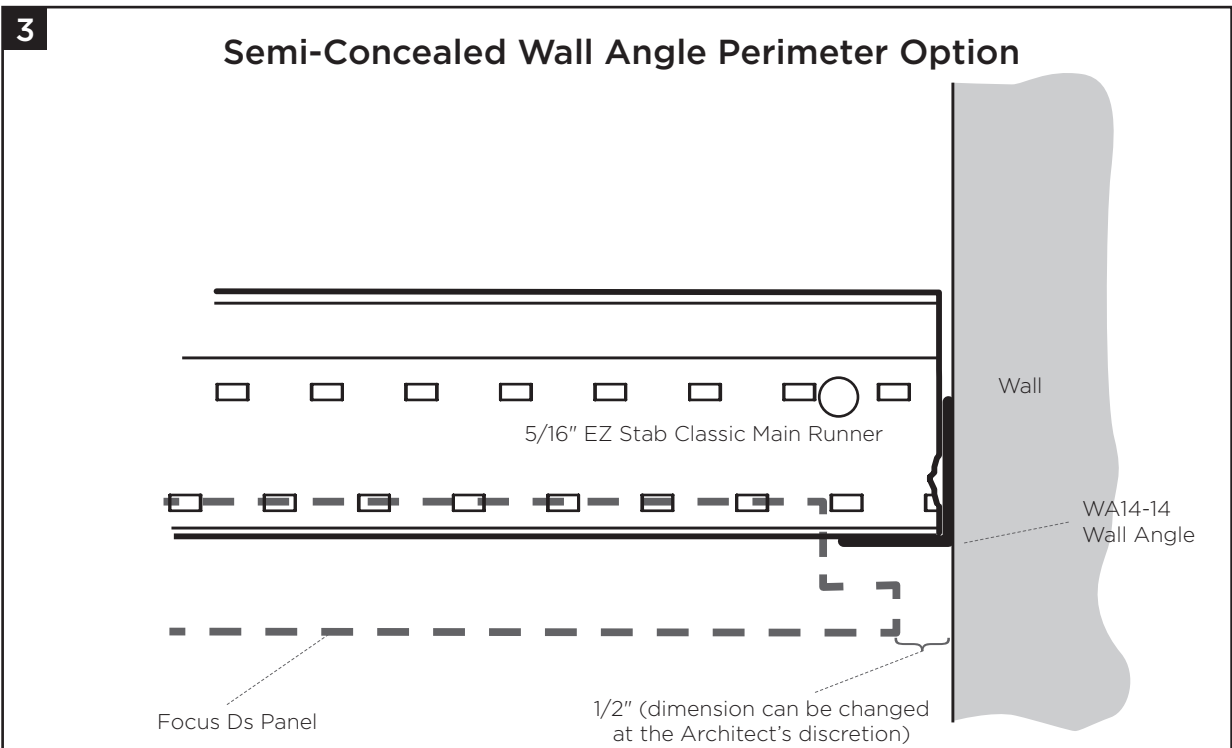
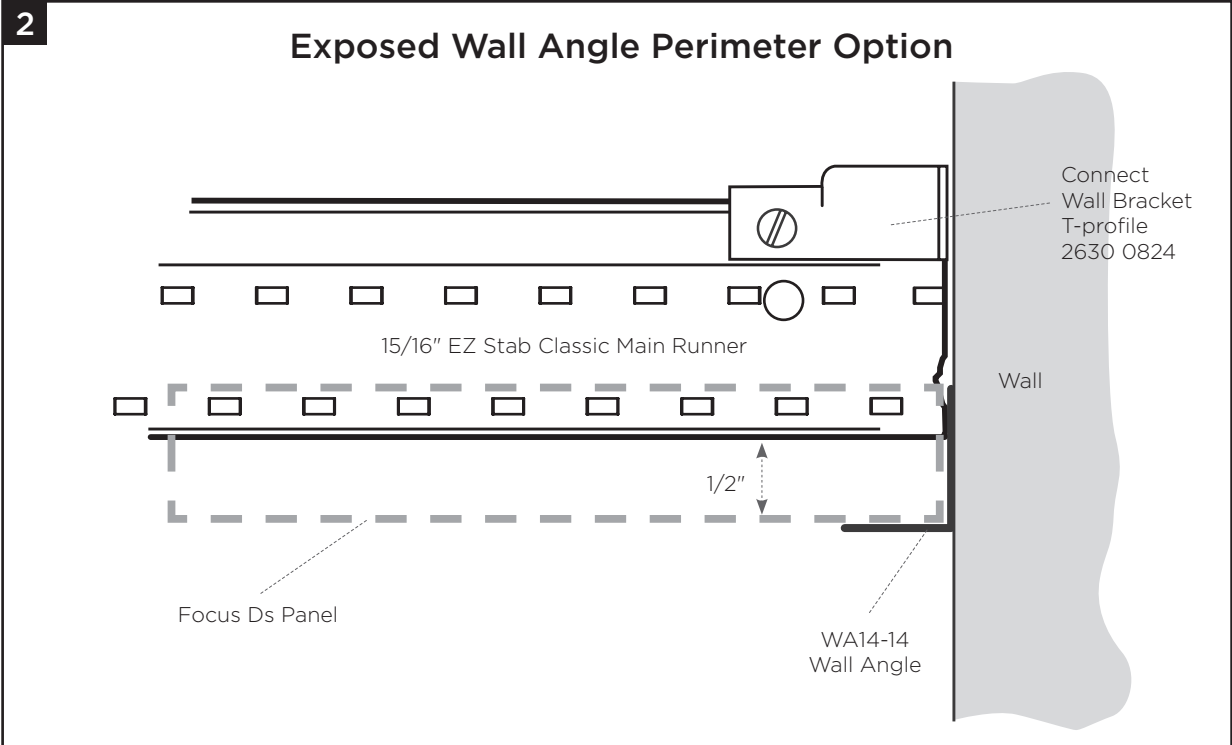
## 1. Installing Wall Angle

- To install Wall Angle choose a height at least 3" below joists, existing ceilings, ducts, pipes, or wiring, to ensure clearance and maneuverability required to install the panels (integration with diffusers and light fixtures may dictate a greater depth of system).
- Mark the desired height for the finished surface of the ceiling on all four walls (see Steps 2-3).
- Attach Wall Angle using appropriate fasteners.

## Perimeter Detail



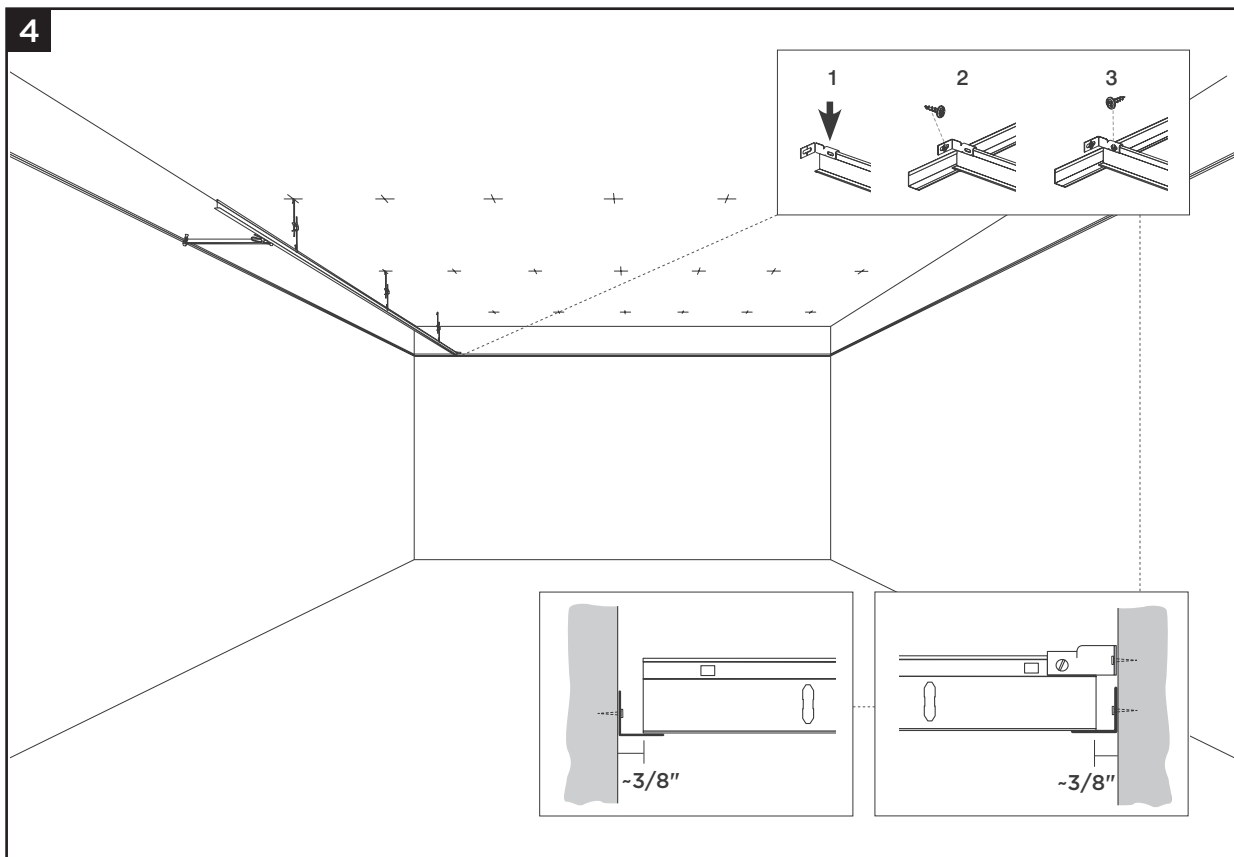
# Installation for Ecophon® Focus™ Ds for 2x2, 2x4, 2x5, 2x6, & 2x8 Seismic Panels



# Installation for Ecophon® Focus™ Ds for 2x2, 2x4, 2x5, 2x6, & 2x8 Seismic Panels

## 4. Installing Hangers

- a. Mark lines for each of the main runners  
(4' on center for 2'x2' & 2'x4' panels, 2' on center for 2'x5', 2'x6', & 2'x8').
- b. Pull a string line along the path that the first main runner will take.  
Attach the line directly below the wall molding.
- c. Hangers are placed every 48" along the main runners, at a max of 24" from the walls.



### Notes:

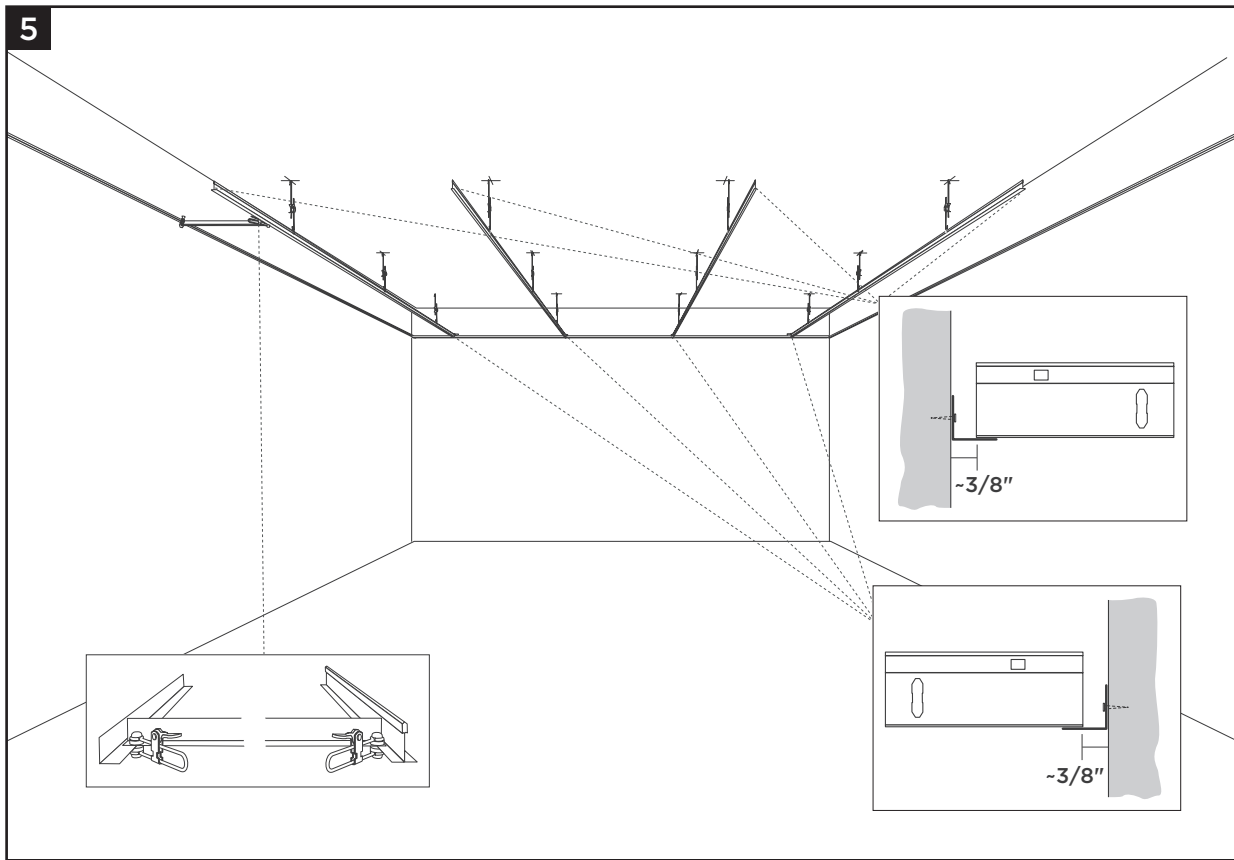
The Connect Wall Bracket T-profiles are optional. If T-Profiles are not used, the cross tee can be cut tight into the wall (the 3/8" gap is not needed). Note that Connect Wall Bracket T-profiles are not suitable for use in seismic category C, D, E, F installations.

Spacing between end of grid component and wall will also be dependent on seismic design category, as it may be necessary to have grid component closer or further away from the wall. Please consult ICC ESR-3336 for guidance on placement of grid components at the wall when installing to seismic requirements.

## Installation for Ecophon® Focus™ Ds for 2x2, 2x4, 2x5, 2x6, & 2x8 Seismic Panels

### 5. Install the main runners

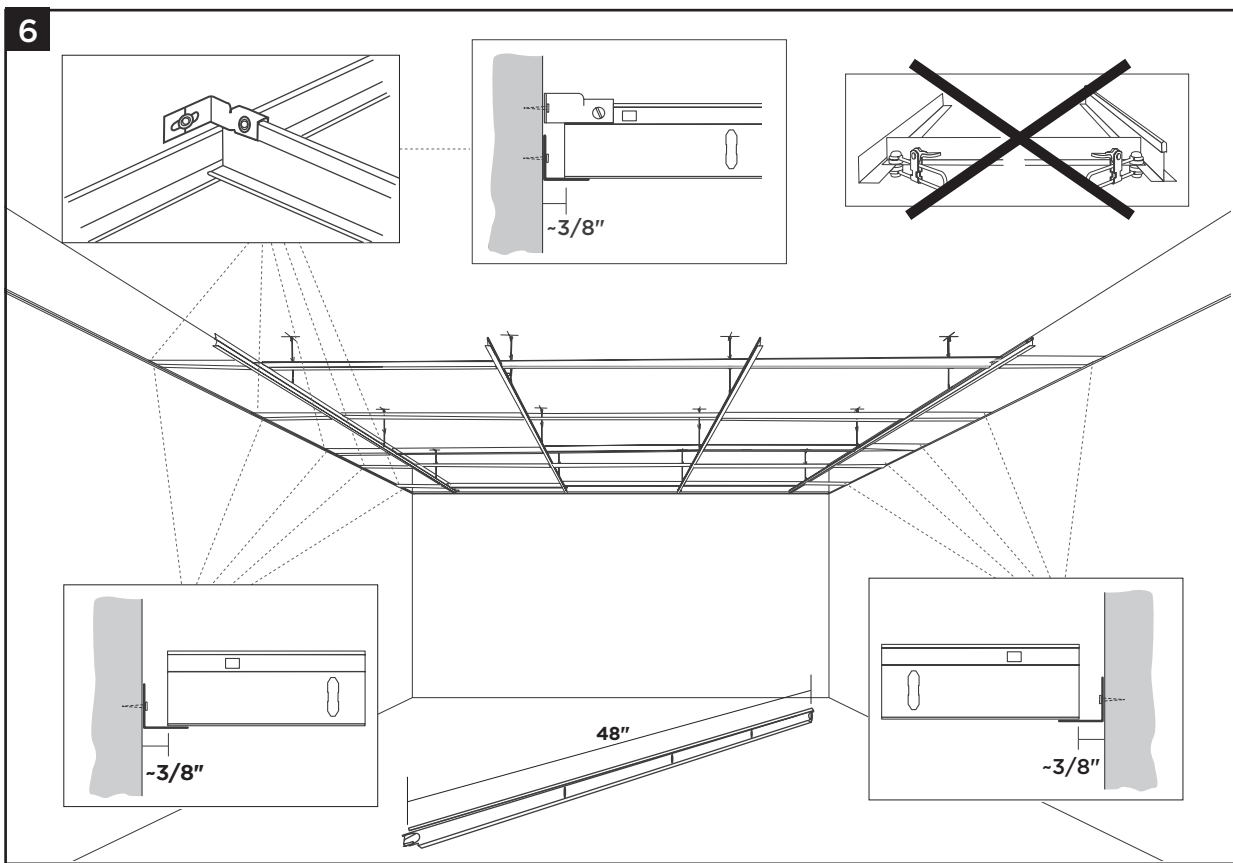
- Install the first section of main runner, with cut edge sitting on the wall molding.
- Attach the main runner to wire.
- Repeat for the next sections of main runner.



## Installation for Ecophon® Focus™ Ds for 2x2, 2x4, 2x5, 2x6, & 2x8 Seismic Panels

### 6. Install Cross Tees and Border Tees

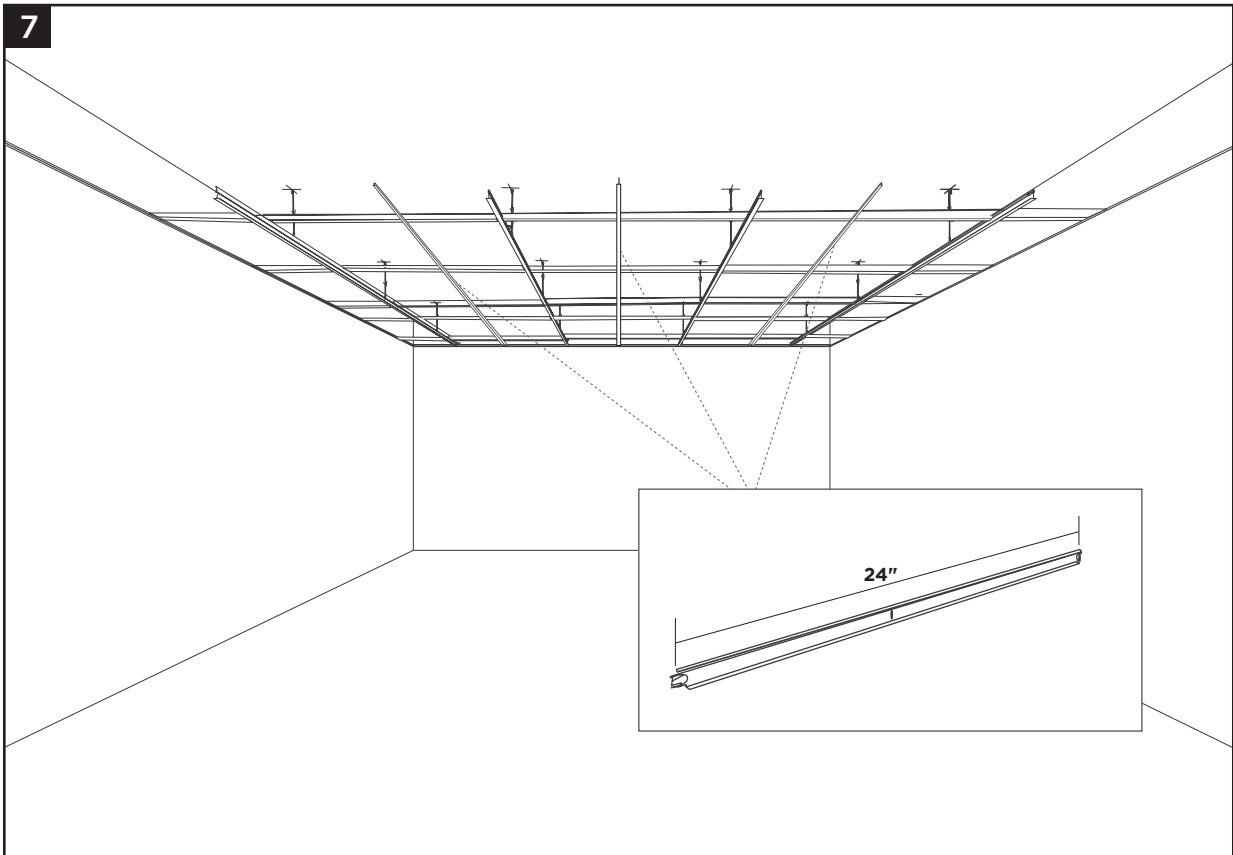
- Cut in border cross tees. Use a string line to make sure the main runners are straight.
- Install cross tees as needed.



## Installation for Ecophon® Focus™ Ds for 2x2, 2x4, 2x5, 2x6, & 2x8 Seismic Panels

### 7. Install remaining cross tees

- a. Install remaining cross tees.
- b. Check to see if the suspension system is square. Make adjustments as needed.
- c. **For 2'x5' or 2'x6' Ecophon Focus Ds panels, install 2-ft Stabilizer Bars (STBAR-2) at the mid-point of each module. For 2'x8' modules, install 2-ft Stabilizer Bars at approx. 32" and 64".**

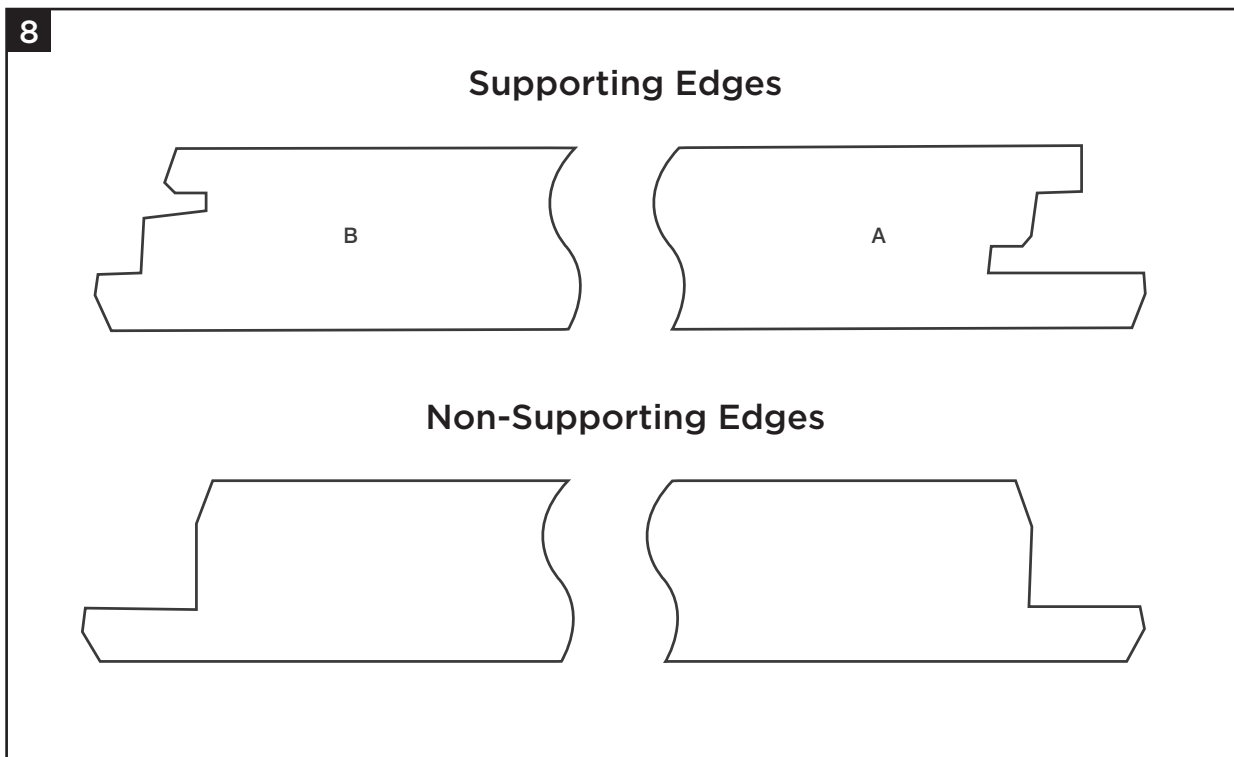


## Installation for Ecophon® Focus™ Ds for 2x2, 2x4, 2x5, 2x6, & 2x8 Seismic Panels

### 8. Install Field Panels

(Note: 2'x6' and 2'x8' panels require two people to install each panel).

Before you begin installing the panels, you must understand that Focus Ds panels have 2 supporting edges and 2 non-supporting edges. As illustrated below:

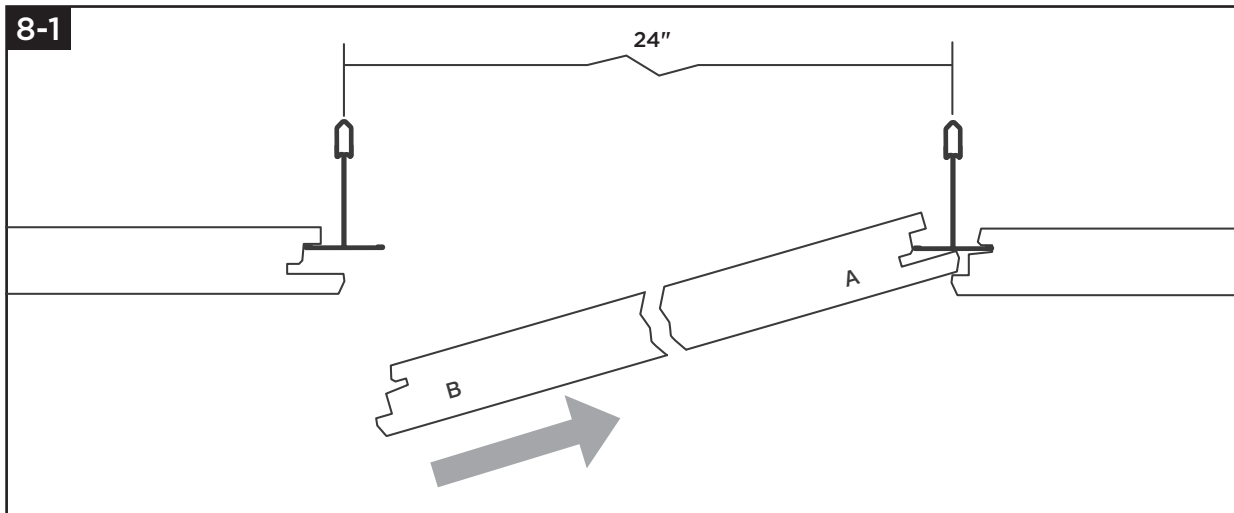


*Please note that the long sides of the panels are always the supporting sides.*

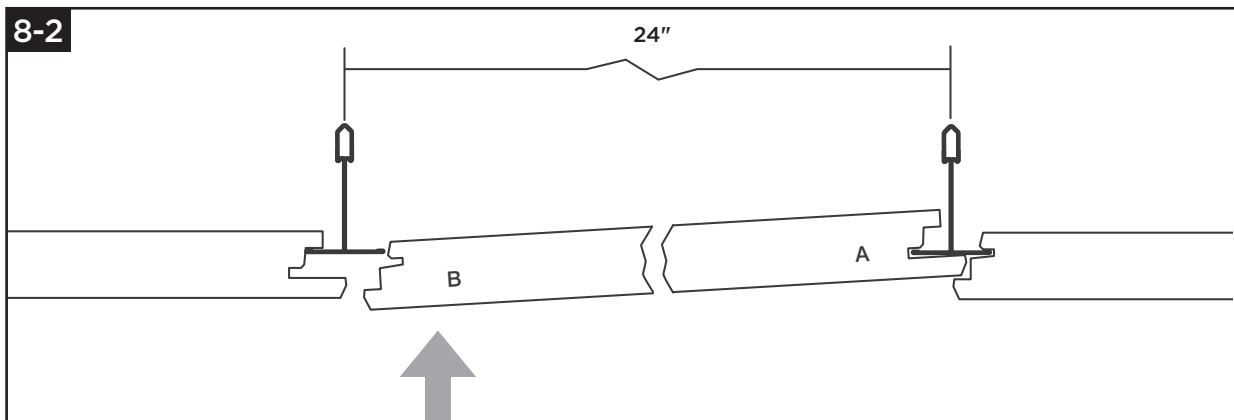
- a. Install temporary string lines along the path where the panel joints will meet.  
(since there are no cross tees as a reference)
- b. **Wear white cotton gloves, so that the dirt and oil from your hands do not get on the panels.  
(If gloves become soiled, replace them immediately).**
- c. Start installing panels in the middle of the field.
- d. For detailed instructions on how to install Focus Ds Panels, follow step 8-1, 8-2, & 8-3.



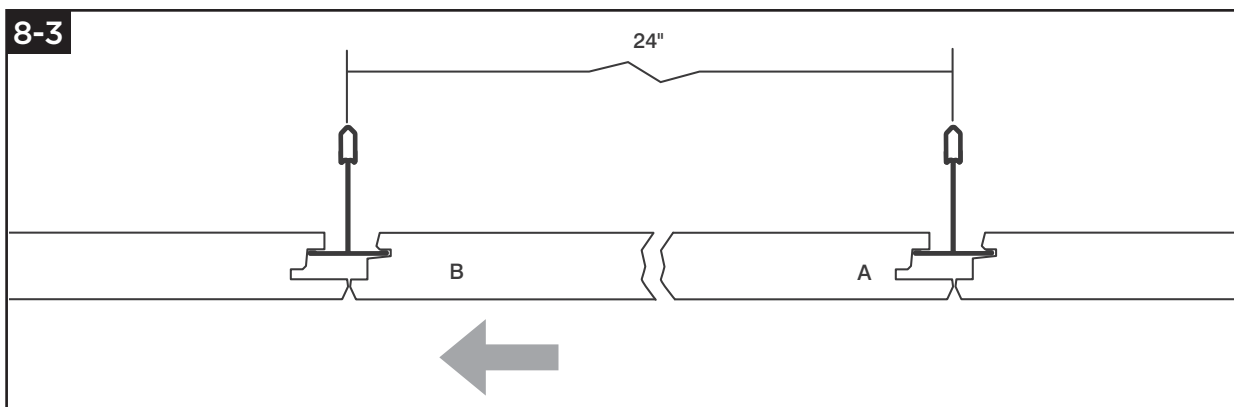
## Installation for Ecophon® Focus™ Ds for 2x2, 2x4, 2x5, 2x6, & 2x8 Seismic Panels



**Step 1:** Place the leading edge (A) into the grid as shown, making sure that the wider (deeper) groove is pushed as far as it can go into the flange. (This will allow the room to ensure that the trail edge (B) clears the grid on the opposing side).



**Step 2:** While keeping light pressure toward edge (A), push edge (B) up to begin to engage the flange on the grid.

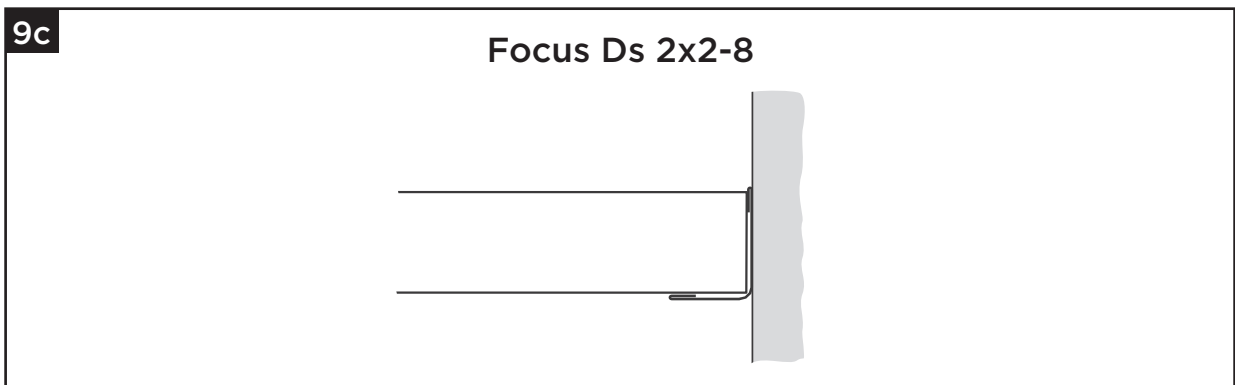
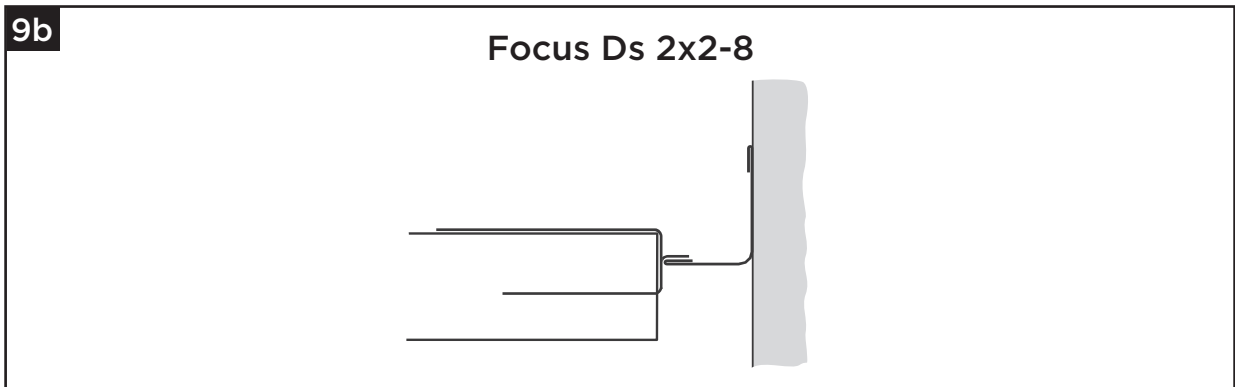
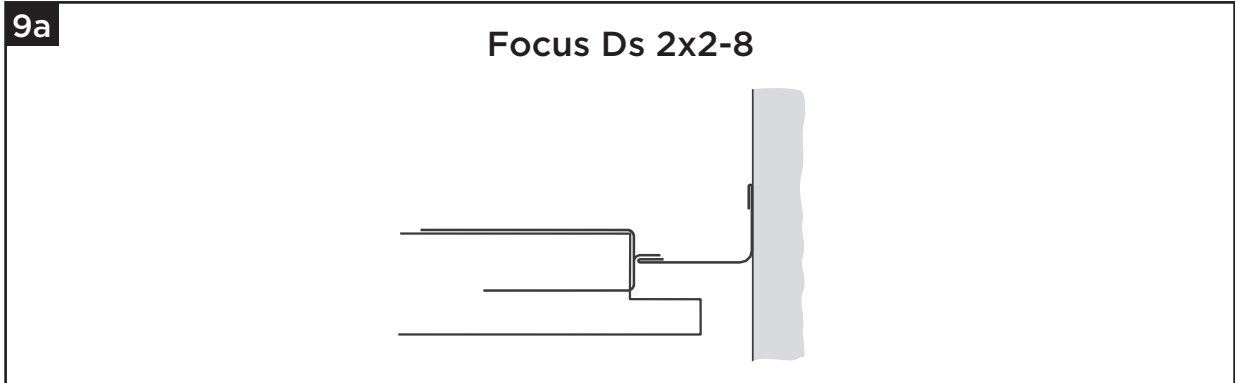


**Step 3:** Slide panel toward edge (B). Edge (A) will move into its finished resting place. To remove the panel, lift up gently on edge (A) and perform the process in reverse.

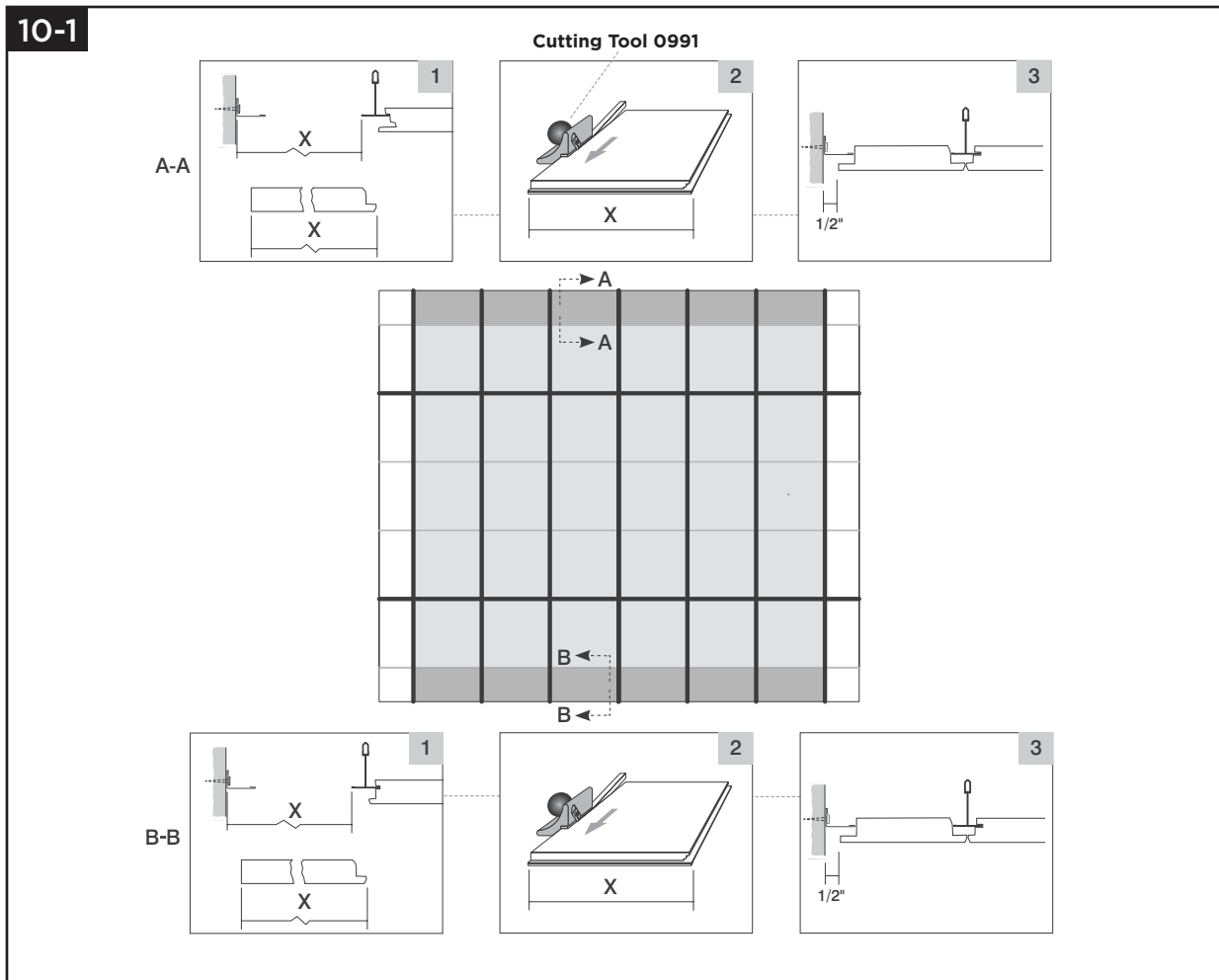
# Installation for Ecophon® Focus™ Ds for 2x2, 2x4, 2x5, 2x6, & 2x8 Seismic Panels

## Install Border Panels

To understand installing border panels/edge treatment, consult the appropriate directions below.



## Installation for Ecophon® Focus™ Ds for 2x2, 2x4, 2x5, 2x6, & 2x8 Seismic Panels

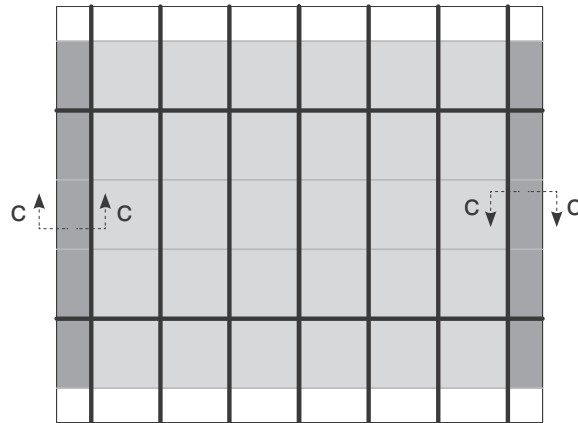
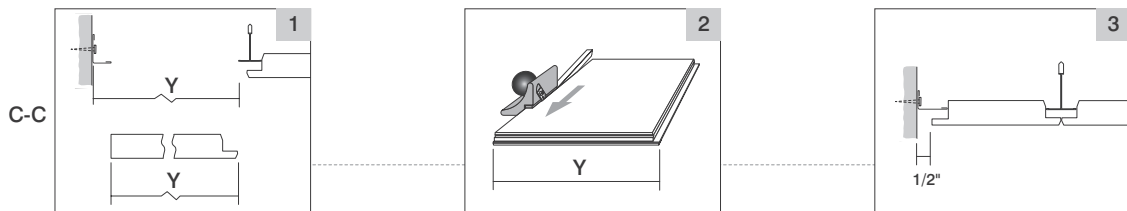


### Notes:

- The Focus Ds System is designed so that 1/2" of the wall molding is visible from below. The dimension molding exposed is at the Architect's discretion. If the Architect does not specify a different dimension, following these directions will result in a 1/2" gap around the border.
- For more accurate cut edges, measure at least twice at each end of the panel, so the cut edge may better follow the contour of the wall.
- Straight cuts should be made using a razor knife and a straight edge.
- The Connect DG Cutting Tool 2630 0991 cuts a 9/16" by 9/16" rabbet. The shim attached to the tool should remain when cutting 3/4" panels.
- Connect DG20 Support Clip 2630 0547 should be spaced every 12"-18".
- Connect Edge Sealant 2630 0691 is used as required. Avoid applying edge sealant to the surface of the panel.

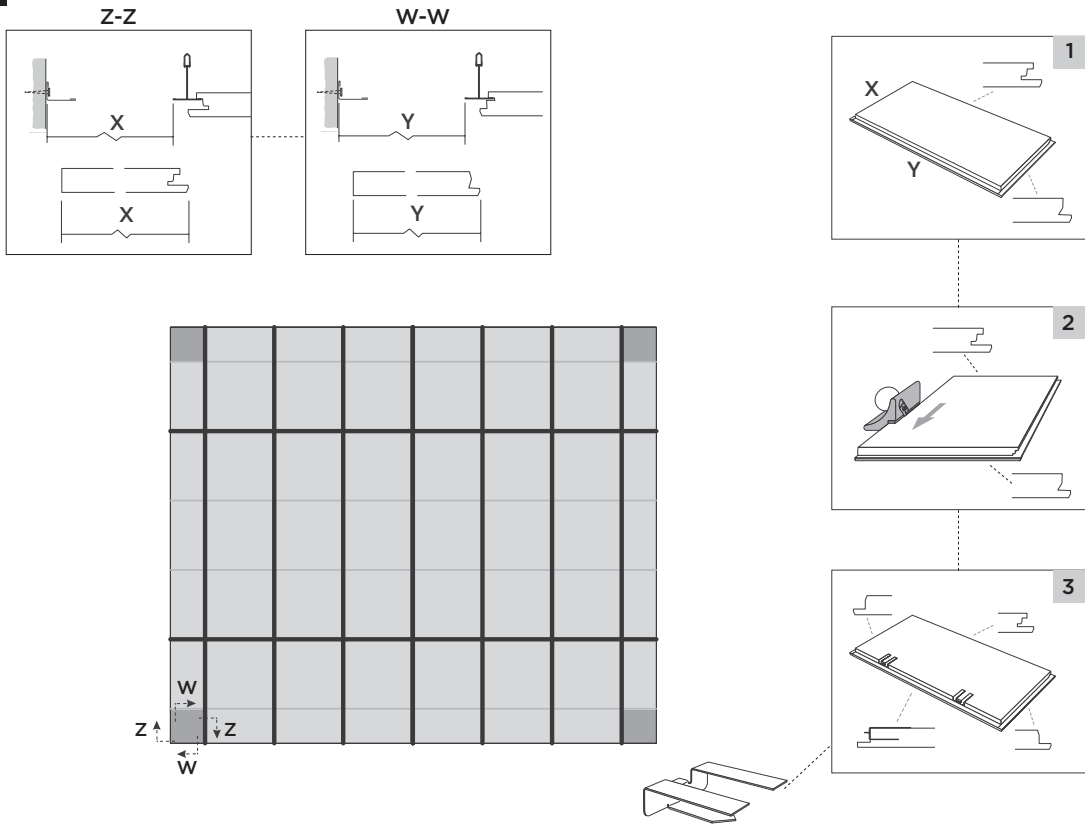
# Installation for Ecophon® Focus™ Ds for 2x2, 2x4, 2x5, 2x6, & 2x8 Seismic Panels

10-2

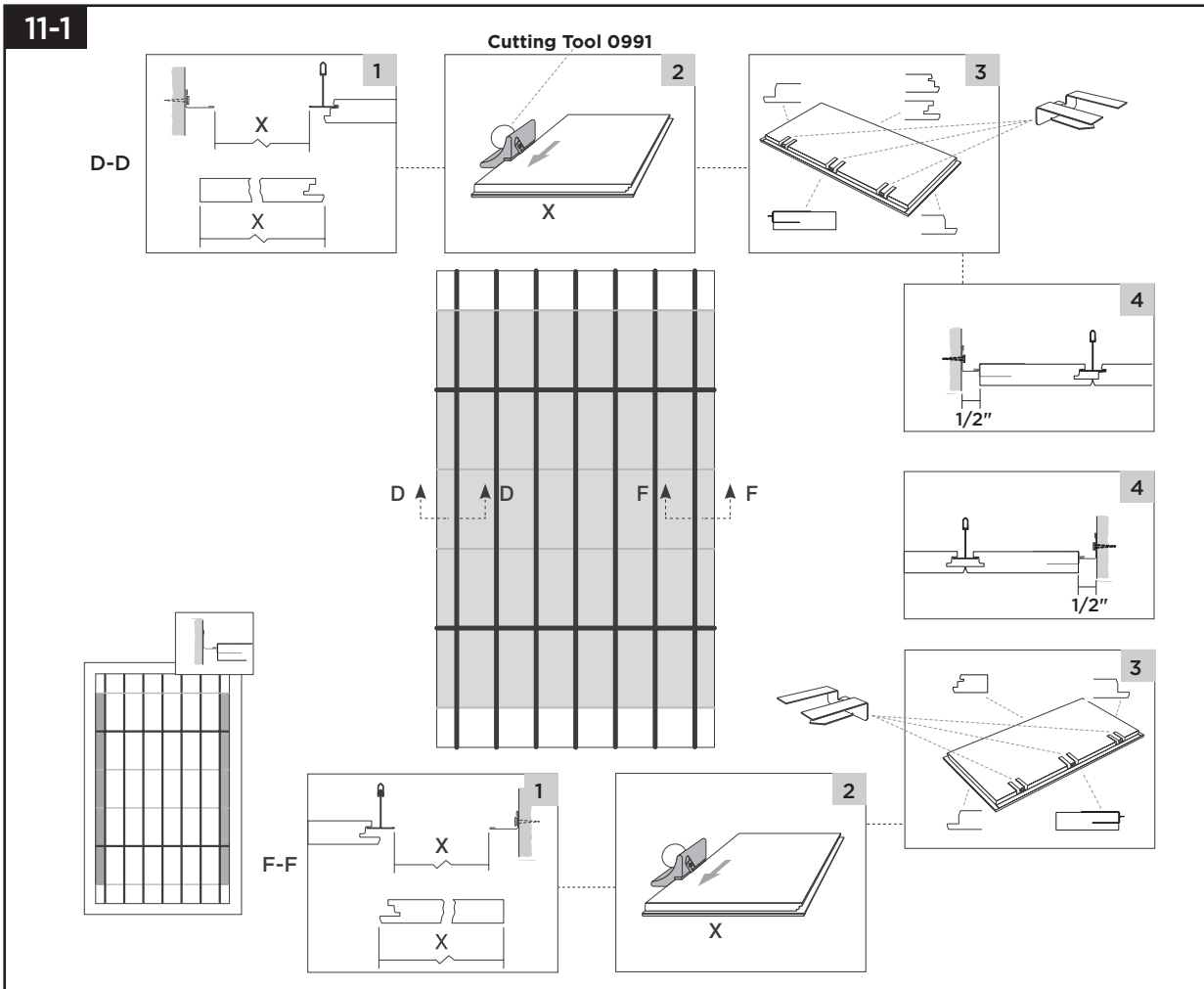


# Installation for Ecophon® Focus™ Ds for 2x2, 2x4, 2x5, 2x6, & 2x8 Seismic Panels

10-3



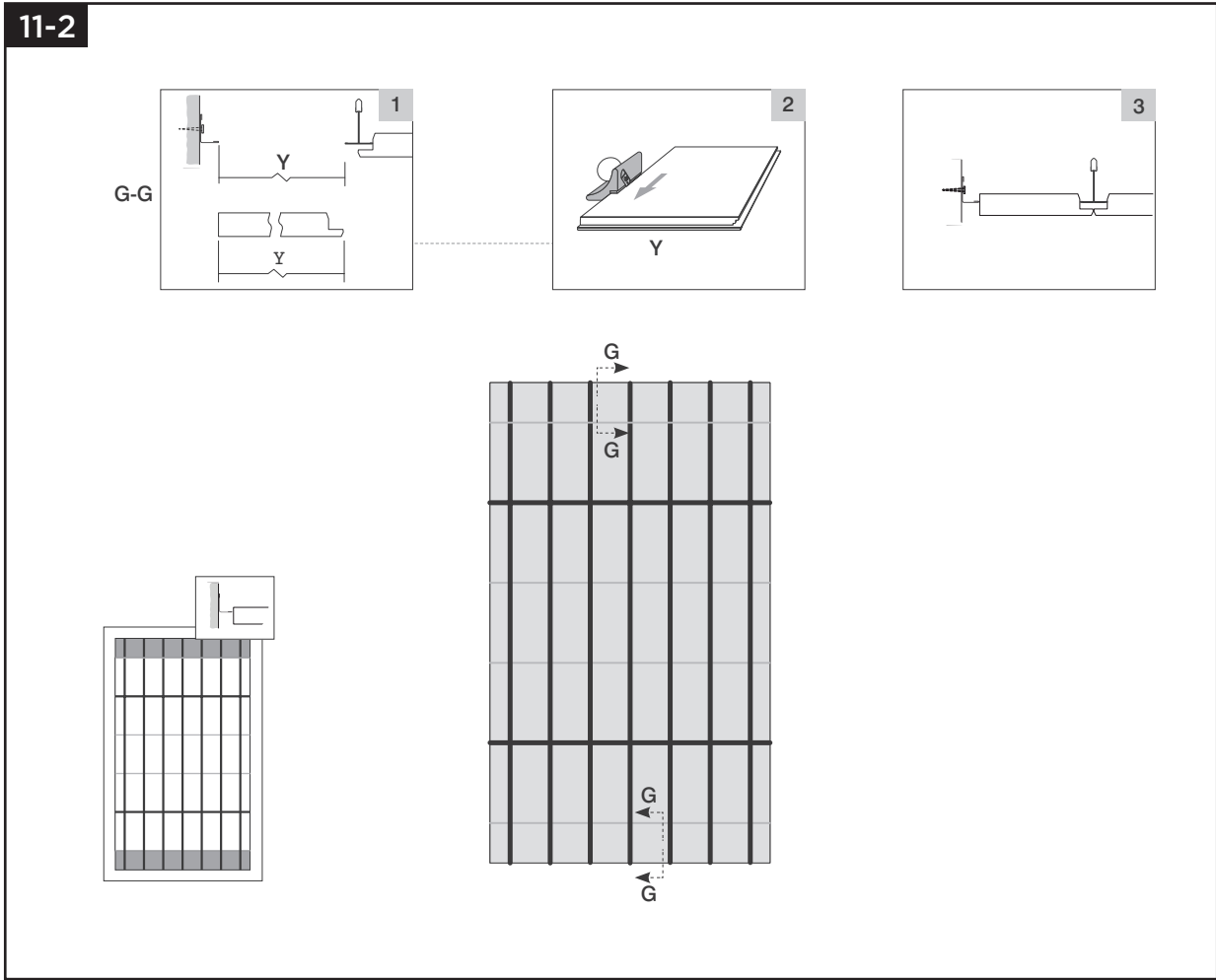
## Installation for Ecophon® Focus™ Ds for 2x2, 2x4, 2x5, 2x6, & 2x8 Seismic Panels



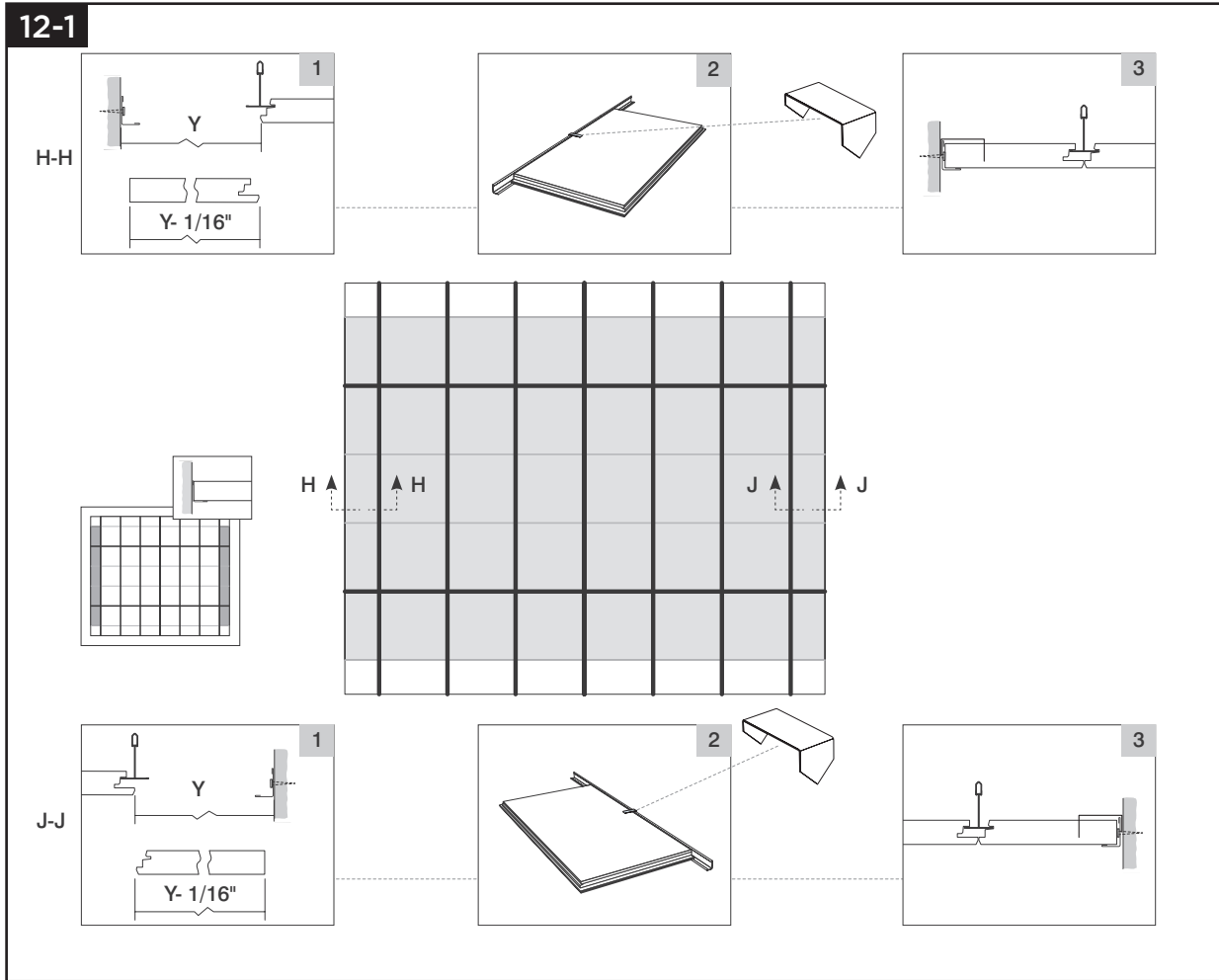
### Notes:

- The Focus Ds System is designed so that 1/2" of the wall molding is visible from below. The dimension molding exposed is at the Architect's discretion. If the Architect does not specify a different dimension, of these directions will result in a 1/2" gap around the border.
- For more accurate cut edges, measure at least twice at each end of the panel, so the cut edge may better follow the contour of the wall.
- Straight cuts should be made using a razor knife and a straight edge.
- The Connect DG Cutting Tool 2630 0991 cuts a 9/16" by 9/16" rabbet. The shim attached to the tool should remain when cutting 3/4" panels.
- Connect DG20 Support Clip 2630 0547 should be spaced every 12"-18".
- Connect Edge Sealant 2630 0691 is used as required. Avoid applying edge sealant to the surface of the panel.

# Installation for Ecophon® Focus™ Ds for 2x2, 2x4, 2x5, 2x6, & 2x8 Seismic Panels



# Installation for Ecophon® Focus™ Ds for 2x2, 2x4, 2x5, 2x6, & 2x8 Seismic Panels

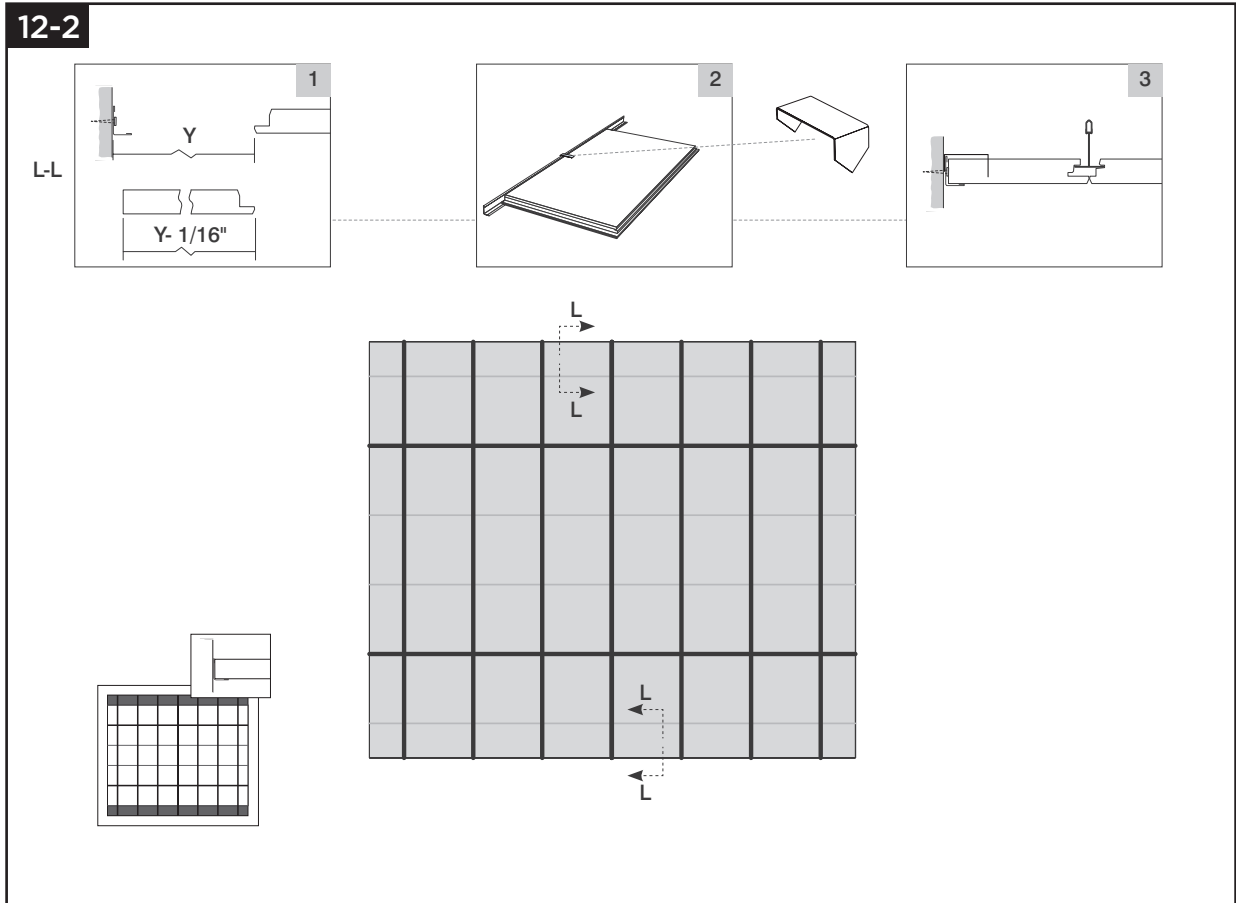


## Notes:

- Ecophon Connect Perimeter Tile Clip can be used at the perimeter to keep square cut panels tight to the wall, and secure on the wall angle.
- Straight cuts should be made using a razor knife and a straight edge.



# Installation for Ecophon® Focus™ Ds for 2x2, 2x4, 2x5, 2x6, & 2x8 Seismic Panels



## For Product and Installation Questions:

Call 1-800-233-8990 (Monday-Thursday: 7:30 am – 6:30 pm, Friday: 7:30 am – 6:00 pm EST)