



DEPARTMENT OF REGULATORY AND ECONOMIC RESOURCES (RER)
 BOARD AND CODE ADMINISTRATION DIVISION
NOTICE OF ACCEPTANCE (NOA)

MIAMI-DADE COUNTY
 PRODUCT CONTROL SECTION
 11805 SW 26 Street, Room 208
 Miami, Florida 33175-2474
 T (786) 315-2590 F (786) 315-2599
www.miamidade.gov/economy

Hunter Douglas Arch Products a div. of Hunter Douglas, Inc.
5015 Oakbrook Parkway, Suite 100
Norcross, GA 30093

SCOPE:

This NOA is being issued under the applicable rules and regulations governing the use of construction materials. The documentation submitted has been reviewed and accepted by Miami-Dade County RER-Product Control Section to be used in Miami Dade County and other areas where allowed by the Authority Having Jurisdiction (AHJ).

This NOA shall not be valid after the expiration date stated below. The Miami-Dade County Product Control Section (In Miami Dade County) and/or the AHJ (in areas other than Miami Dade County) reserve the right to have this product or material tested for quality assurance purposes. If this product or material fails to perform in the accepted manner, the manufacturer will incur the expense of such testing and the AHJ may immediately revoke, modify, or suspend the use of such product or material within their jurisdiction. RER reserves the right to revoke this acceptance, if it is determined by Miami-Dade County Product Control Section that this product or material fails to meet the requirements of the applicable building code.

This product is approved as described herein, and has been designed to comply with the Florida Building Code, including the High Velocity Hurricane Zone.

DESCRIPTION: 300C Vented Aluminum Exterior Ceiling System

APPROVAL DOCUMENT: Drawing No. **300C**, titled "300C Product Specifications", sheets 1 through 11 of 11, dated 09/09/2015, prepared by Wolters Engineering, Inc., signed and sealed by Scott Wolters, P.E., bearing the Miami-Dade County Product Control revision stamp with the Notice of Acceptance number and expiration date by the Miami-Dade County Product Control Section.

MISSILE IMPACT RATING: None

LABELING: Each piece shall be permanently marked at not more than 4' o.c. with a number or marking and the packaging shall include the manufacturer's name or logo, city, state, model number or name, Miami-Dade County NOA number, test standards and net free area per FBC 1710.9.2 and 1710.9.3.

RENEWAL of this NOA shall be considered after a renewal application has been filed and there has been no change in the applicable building code negatively affecting the performance of this product.

TERMINATION of this NOA will occur after the expiration date or if there has been a revision or change in the materials, use, and/or manufacture of the product or process. Misuse of this NOA as an endorsement of any product, for sales, advertising or any other purposes shall automatically terminate this NOA. Failure to comply with any section of this NOA shall be cause for termination and removal of NOA.

ADVERTISEMENT: The NOA number preceded by the words Miami-Dade County, Florida, and followed by the expiration date may be displayed in advertising literature. If any portion of the NOA is displayed, then it shall be done in its entirety.

INSPECTION: A copy of this entire NOA shall be provided to the user by the manufacturer or its distributors and shall be available for inspection at the job site at the request of the Building Official. This NOA revises NOA #16-0125.06 and consists of this page 1 and evidence pages E-1 and E-2, as well as approval document mentioned above.

The submitted documentation was reviewed by **Carlos M. Utrera, P.E.**



[Signature]
 10/27/2017

NOA No. 17-0807.11
 Expiration Date: May 5, 2021
 Approval Date: November 2, 2017
 Page 1

NOTICE OF ACCEPTANCE: EVIDENCE SUBMITTED

1. EVIDENCE SUBMITTED UNDER NOA #16-0125.06

A. DRAWINGS

1. Drawing No. **300C**, titled "300C Product Specifications", sheets 1 through 11 of 11, dated 09/09/2015, prepared by Wolters Engineering, Inc., signed and sealed by Scott Wolters, P.E.

B. TESTS

1. Test reports on 1) Uniform Static Air Pressure Test, Loading per FBC TAS 202-94
2) Cyclic Wind Pressure Loading per FBC, TAS 203-94
along with marked-up drawings of 300C (16" Configuration) Aluminum Soffit System, prepared by Intertek-Architectural Testing, Inc., Test Report No. **F1394.01-550-18**, dated 11/19/2015, signed and sealed by Justin P. McDonald, P.E.
2. Test reports on 1) Uniform Static Air Pressure Test, Loading per FBC TAS 202-94
2) Cyclic Wind Pressure Loading per FBC, TAS 203-94
along with marked-up drawings of 300C (48" Configuration) Aluminum Soffit System, prepared by Intertek-Architectural Testing, Inc., Test Report No. **F1394.02-550-18**, dated 11/19/2015, signed and sealed by Justin P. McDonald, P.E.
3. Test report on Wind Driven Rain Resistance Test per FBC, TAS 100(A)-95 and Tensile Test per ASTM E8/E8M-15a of a 300C Vented Aluminum Soffit, prepared by Intertek-Architectural Testing, Inc., Test Report No. **F1392.01-109-18**, dated 11/30/2015, signed and sealed by Joseph A. Reed, P.E.

C. CALCULATIONS

1. Structural and anchorage calculations prepared by Wolters Engineering, Inc., dated 01/19/2016, signed and sealed by Scott Wolters, P.E.

D. QUALITY ASSURANCE

1. Miami-Dade Department of Regulatory and Economic Resources (RER)

E. MATERIAL CERTIFICATIONS

1. None.

F. STATEMENTS

1. Statement letter of code conformance to the 5th edition (2014) FBC issued by Wolters Engineering, Inc., dated 01/19/2016, signed and sealed by Scott Wolters, P.E.
2. Statement letter of no financial interest issued by Wolters Engineering, Inc., dated 01/19/2016, signed and sealed by Scott Wolters, P.E.


10/27/2017

Carlos M. Utrera, P.E.
Product Control Examiner
NOA No. 17-0807.11
Expiration Date: May 5, 2021
Approval Date: November 2, 2017

NOTICE OF ACCEPTANCE: EVIDENCE SUBMITTED

2. NEW EVIDENCE SUBMITTED

A. DRAWINGS

1. None.

B. TESTS

1. None.

C. CALCULATIONS

1. None.

D. QUALITY ASSURANCE

1. Miami-Dade Department of Regulatory and Economic Resources (RER)

E. MATERIAL CERTIFICATIONS

1. None.

F. STATEMENTS

1. None.

G. OTHERS

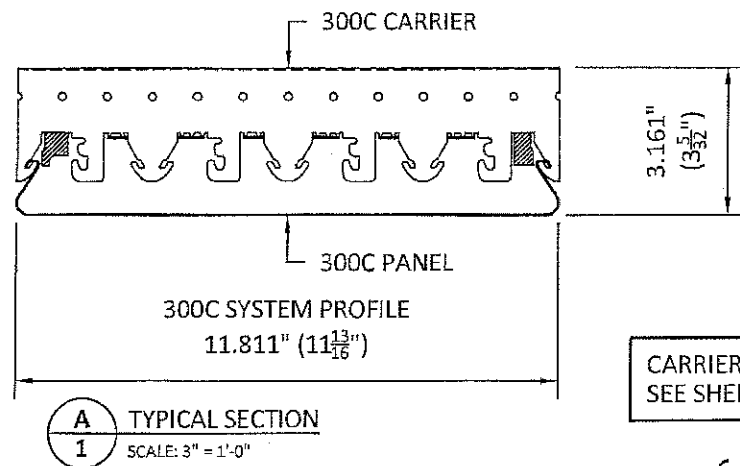
1. Company name change request correspondence.



10/27/2017

Carlos M. Utrera, P.E.
Product Control Examiner
NOA No. 17-0807.11
Expiration Date: May 5, 2021
Approval Date: November 2, 2017

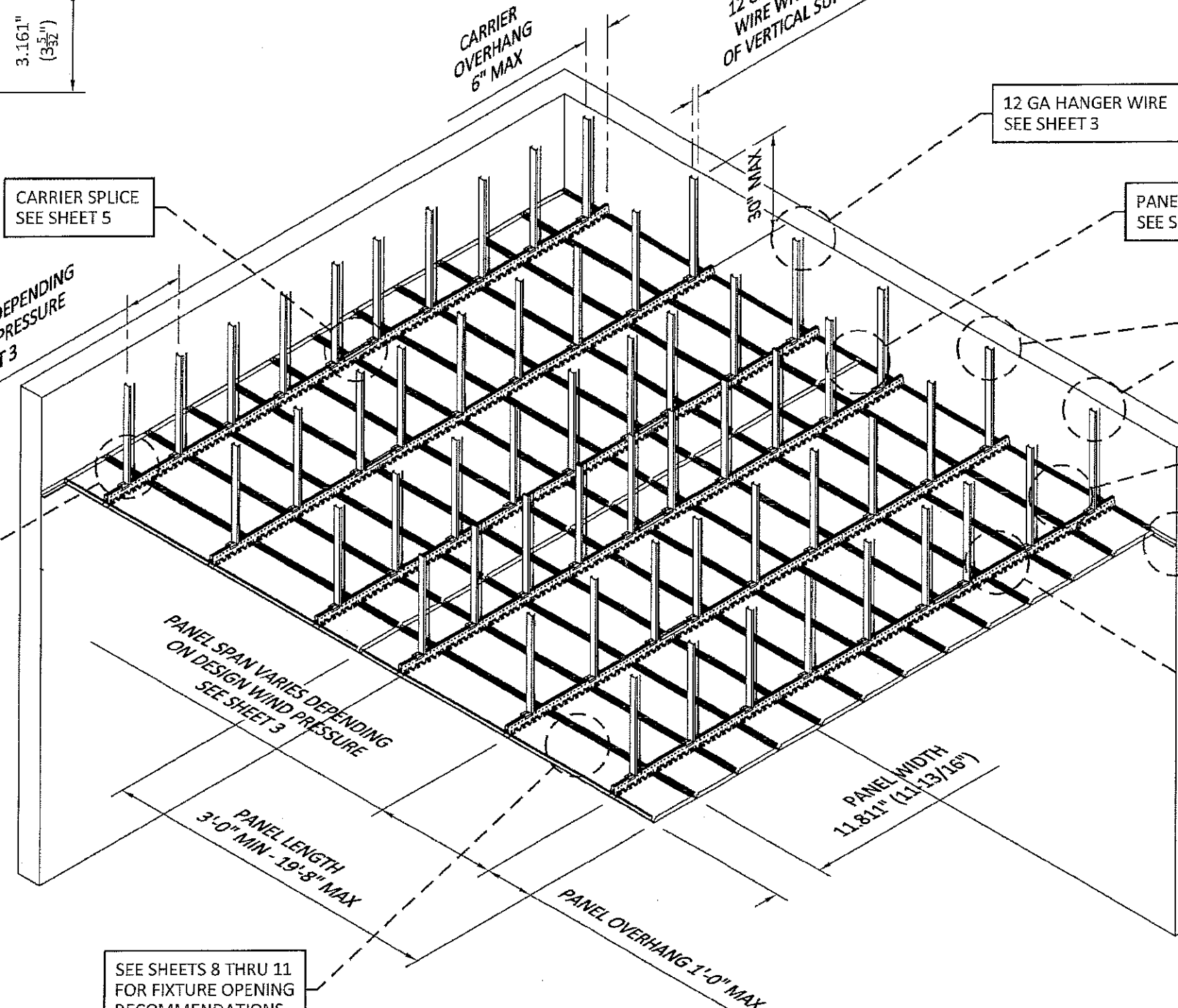
NOTE: FOR DESIGN WIND PRESSURE(S), SEE TABLE 1 ON SHEET 3



CARRIER SPAN VARIES DEPENDING ON DESIGN WIND PRESSURE SEE SHEET 3

CARRIER SPLICE SEE SHEET 5

SUSPENSION REQUIREMENTS SEE SHEET 3



PANEL BUTT JOINT SEE SHEET 6

VERTICAL SUPPORT SEE SHEET 4

300C PANEL SEE SHEET 2

1" WALL ANGLE SEE SHEET 7

TYPICAL SYSTEM SECTION SEE DETAIL A/1

GENERAL NOTES:

1. THIS SOFFIT SYSTEM HAS BEEN DESIGNED AND TESTED IN ACCORDANCE WITH THE REQUIREMENTS OF THE FLORIDA BUILDING CODE 5TH EDITION (2014), INCLUDING THE HVHZ PROVISIONS.
2. ANCHOR TYPE, SIZE, SPACING, AND EMBEDMENT SHALL BE AS SPECIFIED IN THESE DRAWINGS. ANCHOR EMBEDMENT TO SUBSTRATE SHALL BE BEYOND WALL DRESSING OR STUCCO.
3. ALL FASTENERS PENETRATING INTO PRESSURE TREATED WOOD SHALL BE CAPABLE OF PREVENTING CORROSION DUE TO REACTION WITH PRESSURE TREATMENT CHEMICALS.
4. DISSIMILAR MATERIALS THAT COME INTO CONTACT SHALL BE PROTECTED TO PREVENT REACTIONS IN ACCORDANCE WITH FBC AND ADM-01-2010 SECTION M7.
5. A WINDLOAD DURATION FACTOR (Cd) OF 1.6 WAS USED FOR ANALYSIS OF WOOD SCREWS ONLY. THE 1/3 INCREASE IN ALLOWABLE STRESS FOR WIND DESIGN WAS NOT USED.

SEE SHEETS 8 THRU 11 FOR FIXTURE OPENING RECOMMENDATIONS

PRODUCT REVISED
as complying with the Florida Building Code
NOA-No. **17-0807.11**
Expiration Date **05/05/2021**
By *[Signature]*
Miami-Dade Product Control

Approved as complying with the Florida Building Code
Date **05/05/2016**
NOA# **16-0125.06**
Miami-Dade Product Control
By *[Signature]*

EXTERIOR INSTALLATION

HUNTER DOUGLAS ARCHITECTURAL PRODUCTS

5015 Oakbrook Parkway, Suite 100
Norcross, GA 30093
800-366-4327 / 770-806-9557
Fax: 770-806-0214

[Signature]
SCOTT WOLTERS
FL PE# 62354

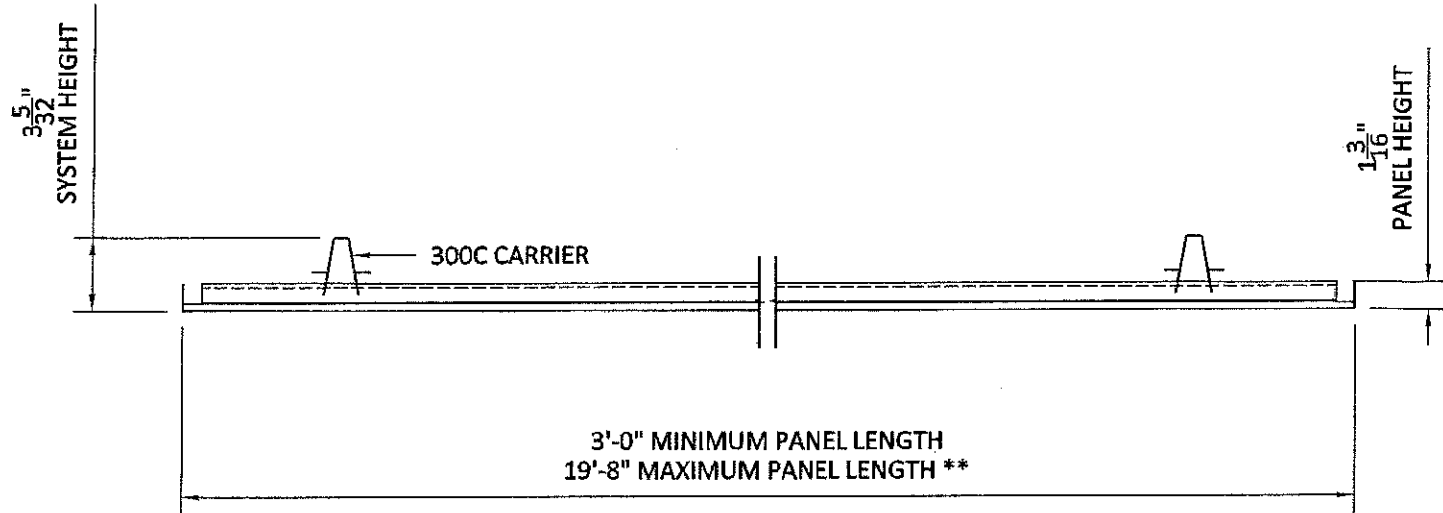
WOLTERS ENGINEERING
(COA# 27194)
15211 97TH ROAD N
WEST PALM BEACH, FL 33412
JAN 19 2016

SPECIFICATIONS
(unless noted otherwise)
MATERIAL: 300C PANEL: .028" ALUMINUM ALLOY 3005-H48
300C CARRIER: 0.040" ALUMINUM ALLOY 5050-H48
FINISHES: PAINT / POWDER COAT / DECORATED WOOD FINISH / LUXACOTE
PERFORATION: #160 (23% OPEN) / #124 (15% OPEN)

TOLERANCES
(unless noted otherwise)
DECIMAL: .0 +/- .060
.00 +/- .030
.000 +/- .010
FRACTIONAL: +/- 1/32"
ANGULAR: +/- 1/2° (.5°)

OVERALL ISOMETRIC VIEW

PROJECT: 300C PRODUCT SPECIFICATIONS
DRAWING NUMBER: 300C-B1.0
PART NUMBER: N/A
SCALE: AS SHOWN
DATE: 9/9/15
DRAWN BY: HDAP ENGINEERING

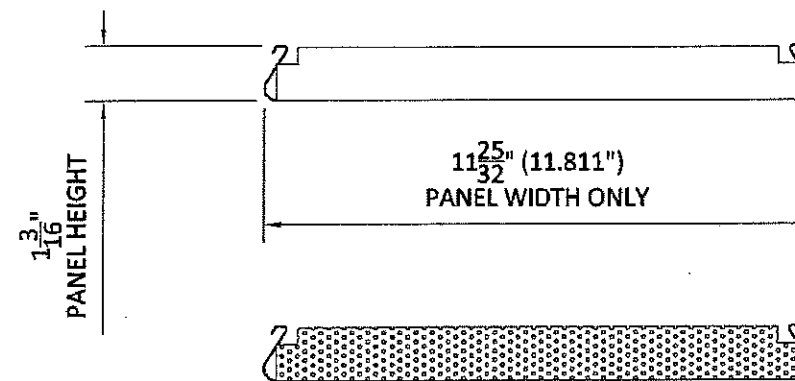


FACTORY SIDE PANEL VIEW

SCALE: 6" = 1'-0"

*VERTICAL SUPPORT OMITTED FOR CLARITY

**PANEL LENGTHS VARIABLE IN 1/8" (.125") INCREMENTS, TOLERANCE +/- 1/8"



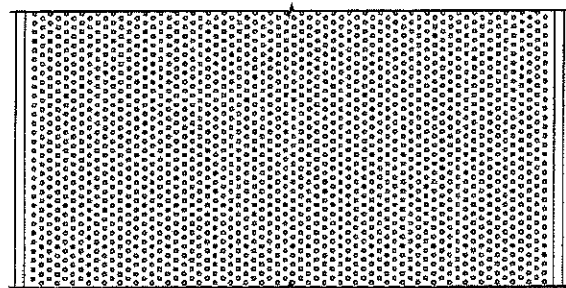
FACTORY END PANEL VIEW

SCALE: 3" = 1'-0"

NON-PERFORATED
FACTORY PANEL END

PERFORATION #124 AT
FACTORY PANEL END

*SUSPENSION OMITTED FOR CLARITY



PERFORATION #124
PERF AREA 15% OPEN
HOLE DIAMETER 0.078"

AVAILABLE PERFORATION

SCALE: 3" = 1'-0"

300C PANEL MATERIAL THICKNESS

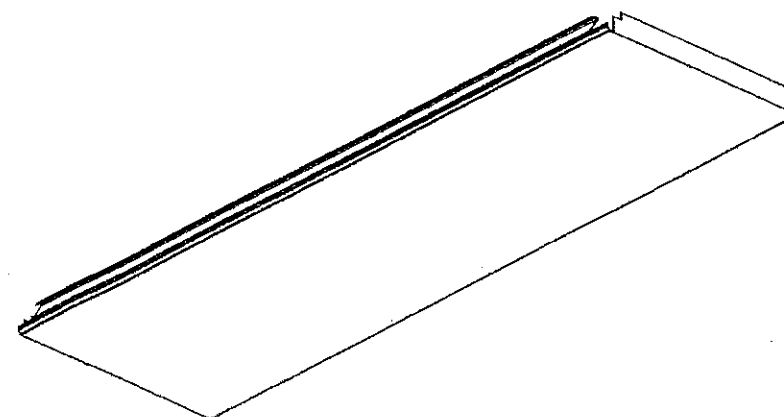
0.028" ALUMINUM

300C PANEL FINISHES

PAINTED AND POWDER COAT (INTERIOR AND EXTERIOR)

LUXACOTE (EXTERIOR OR INTERIOR)

DECORATED (POWDER COAT) WOOD FINISH (INTERIOR AND EXTERIOR)



PANEL MATERIAL/FINISHES

SCALE: NOT TO SCALE

PRODUCT REVISED
as complying with the Florida Building Code

NOA-No. **17-0807.11**

Expiration Date **05/05/2021**

By *[Signature]*
Miami-Dade Product Control

Approved as complying with the Florida Building Code
Date 05/05/2016
NOA# 16-0125-06
Miami-Dade Product Control

By *[Signature]*

HUNTER DOUGLAS ARCHITECTURAL PRODUCTS

5015 Oakbrook Parkway, Suite 100
Norcross, GA 30093
800-366-4327 / 770-806-9557
Fax: 770-806-0214

[Signature]
SCOTT WOLTERS
FL PE# 62354

WOLTERS ENGINEERING
(COA# 27194)
15211 97TH ROAD N
WEST PALM BEACH, FL 33412
JAN 19 2016

SPECIFICATIONS
(unless noted otherwise)

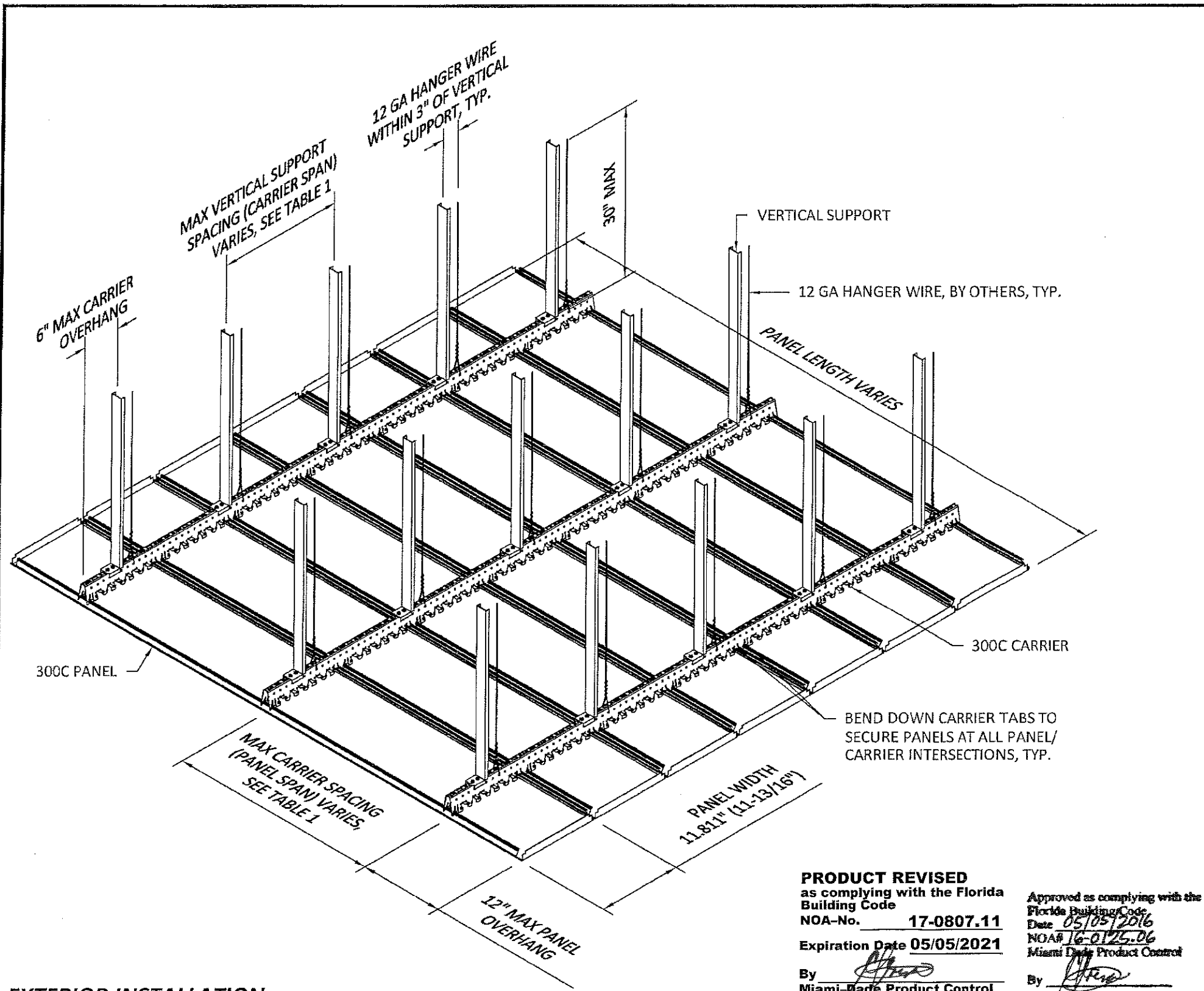
MATERIAL: 300C PANEL: .028" ALUMINUM ALLOY 3005-H48
300C CARRIER: 0.040" ALUMINUM ALLOY 5050-H48
FINISHES: PAINT / POWDER COAT / DECORATED WOOD FINISH / LUXACOTE
PERFORATION: #160 (23% OPEN) / #124 (15% OPEN)

TOLERANCES
(unless noted otherwise)

DECIMAL: .0 +/- .060
.00 +/- .030
.000 +/- .010
FRACTIONAL: +/- 1/32"
ANGULAR: +/- 1/2° (.5°)

PANEL SPEC

PROJECT: 300C PRODUCT SPECIFICATIONS
DRAWING NUMBER: 300C-B1.1
PART NUMBER: N/A
SCALE: AS SHOWN
DATE: 9/9/15
DRAWN BY: HDAP ENGINEERING



NOTE A:

CARRIER SPACING (PANEL SPAN) AND CARRIER SPAN (HANGER WIRE & VERTICAL SUPPORT SPACING) VARIES DEPENDING ON DESIGN WIND PRESSURE (POUNDS PER SQUARE FOOT). AS A GENERAL GUIDE, REFER TO THE DETAIL AND WIND LOAD TABLE 1 BELOW FOR CARRIER SPACING AND CARRIER SPAN. THE WIND LOAD CRITERIA IS BASED ON USING 3 OR MORE ROWS OF CARRIER. MAXIMUM PANEL OVERHANG = 12". MAXIMUM CARRIER OVERHANG = 6".

HANGER WIRE (12 GA MIN.) MUST BE LOCATED AT EACH VERTICAL SUPPORT STRUT. VERTICAL SUPPORT STRUT MUST NOT EXCEED SPACING SHOWN FOR A GIVEN DESIGN WIND PRESSURE. SEE DRAWING # 300C-B1.3 FOR VERTICAL SUPPORT SPECIFICATION. HANGER WIRE AND VERTICAL SUPPORT STRUT MUST BE ATTACHED TO STRUCTURE ABOVE TO SAFELY SUPPORT ALL LOADS IMPOSED BY SOFFIT SYSTEM. ATTACHMENT TO STRUCTURE DESIGNED AND PROVIDED BY OTHERS, NOT BY HUNTER DOUGLAS.

300C CARRIER
MATERIAL: .040" ALUMINUM
FINISH: MATTE BLACK
PART LENGTH: 16'-0"

TABLE 1 - DESIGN WIND LOAD - 300C EXTERIOR CEILING SYSTEM

PANEL MATERIAL: .028" ALUMINUM
 CARRIER MATERIAL: .040" ALUMINUM

ALLOWABLE CARRIER SPACING (PANEL SPAN)
 ALLOWABLE CARRIER SUPPORT SPACING (HANGER WIRE/VERTICAL SUPPORT SPACING)

* CARRIER SPACING BASED ON USING 3 OR MORE CARRIERS
 ** POUNDS PER SQUARE FOOT

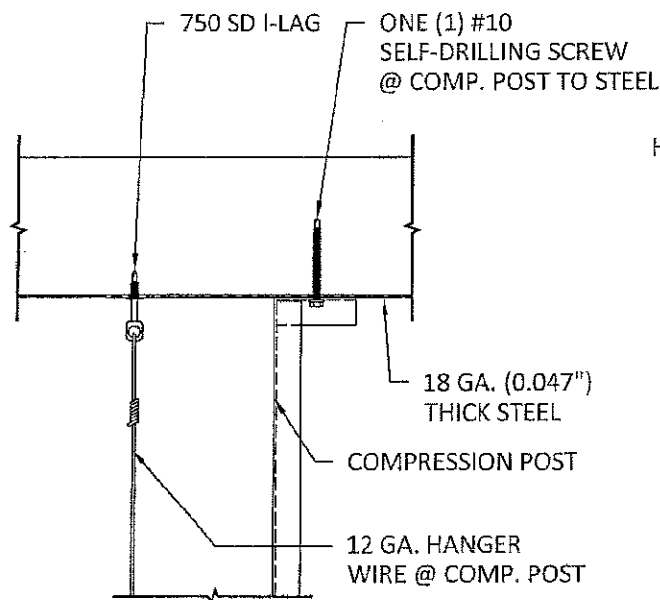
DESIGN WIND PRESSURE (POSITIVE OR NEGATIVE PSF**)	CARRIER SPACING * (PANEL SPAN)	CARRIER SPAN (VERTICAL SUPPORT SPACING)
20	48"	20"
25	36"	20"
30	30"	20"
35	26"	20"
40	24"	20"
45	21"	20"
50	20"	20"
55	19"	20"
60	18"	20"
75	16"	20"

PRODUCT REVISED
 as complying with the Florida Building Code
 NOA-No. **17-0807.11**
 Expiration Date **05/05/2021**
 By *[Signature]*
 Miami-Dade Product Control

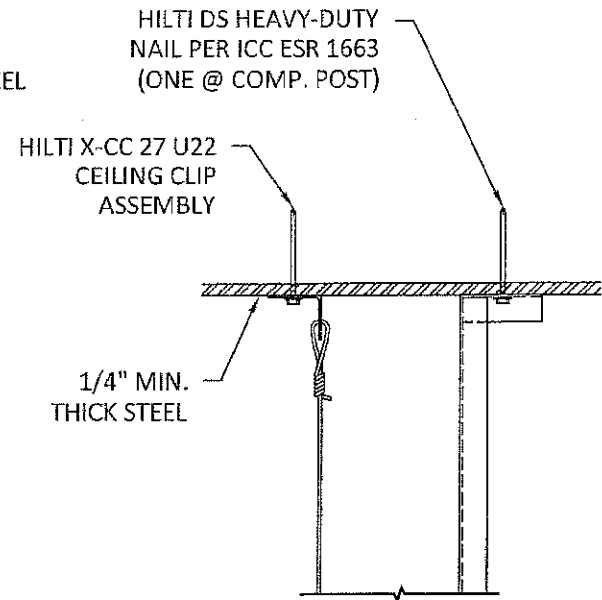
Approved as complying with the Florida Building Code
 Date **05/05/2016**
 NOA# **16-0125.06**
 Miami-Dade Product Control
 By *[Signature]*

EXTERIOR INSTALLATION

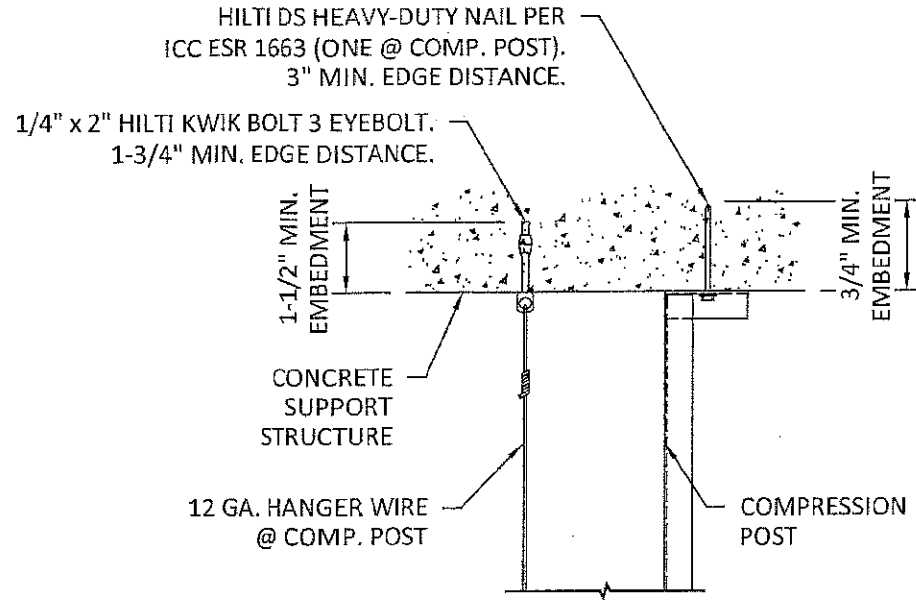
<p>HUNTER DOUGLAS ARCHITECTURAL PRODUCTS</p> <p>5015 Oakbrook Parkway, Suite 100 Norcross, GA 30093 800-366-4327 / 770-806-9557 Fax: 770-806-0214</p>	<p><i>Scott Wolters</i> SCOTT WOLTERS FL PE# 62354</p> <p>WOLTERS ENGINEERING (COA# 27194) 15211 97TH ROAD N WEST PALM BEACH, FL 33412 JAN 19 2016</p>	<p>SPECIFICATIONS (unless noted otherwise)</p> <p>MATERIAL: 300C PANEL: .028" ALUMINUM ALLOY 3005-H48 300C CARRIER: 0.040" ALUMINUM ALLOY 5050-H48</p> <p>FINISHES: PAINT / POWDER COAT / DECORATED WOOD FINISH / LUXACOTE</p> <p>PERFORATION: #160 (23% OPEN) / #124 (15% OPEN)</p>	<p>TOLERANCES (unless noted otherwise)</p> <p>DECIMAL: .0 +/- .060 .00 +/- .030 .000 +/- .010</p> <p>FRACTIONAL: +/- 1/32"</p> <p>ANGULAR: +/- 1/2° (.5°)</p>	<p>SUSPENSION SPEC</p> <p>PROJECT: 300C PRODUCT SPECIFICATIONS DRAWING NUMBER: 300C-B1.2 PART NUMBER: N/A SCALE: NOT TO SCALE DATE: 9/9/15 DRAWN BY: HDAP ENGINEERING</p>
---	--	---	---	---



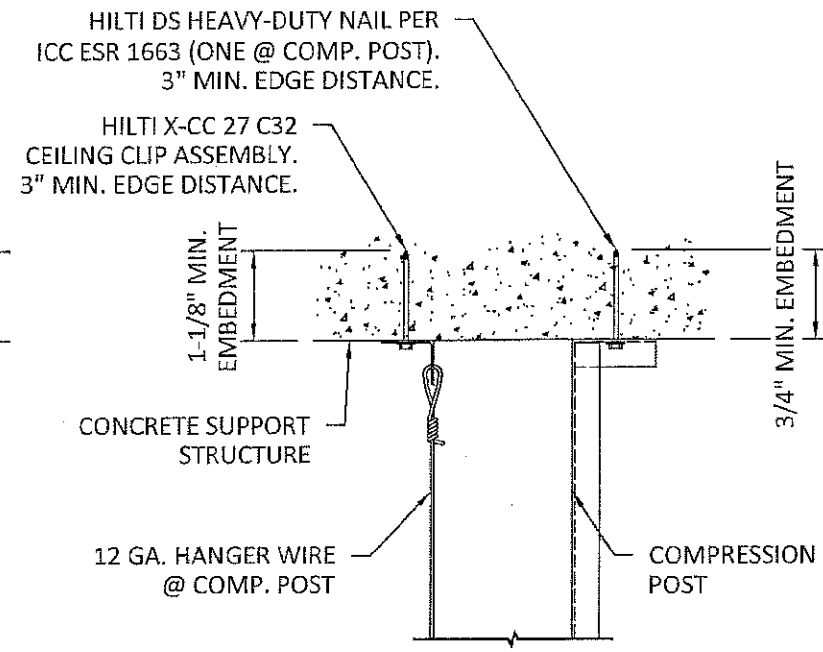
STEEL CONNECTION W/ I-LAGS & SELF-DRILLING SCREWS



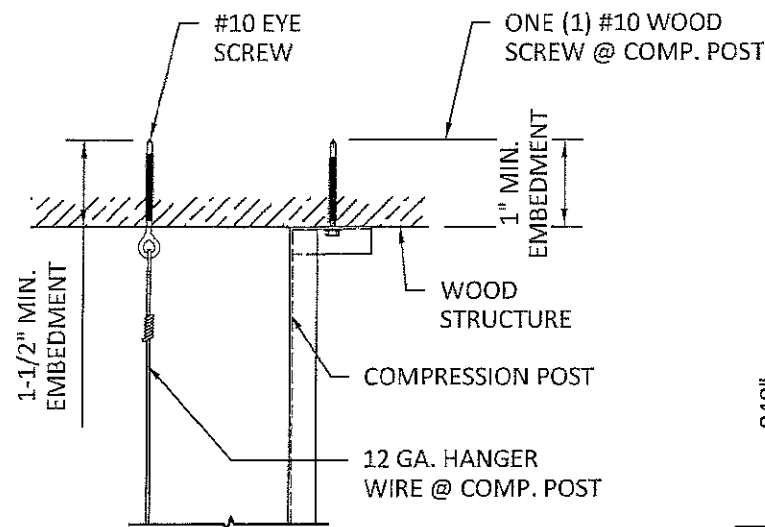
STEEL CONNECTION W/ SHOT PINS



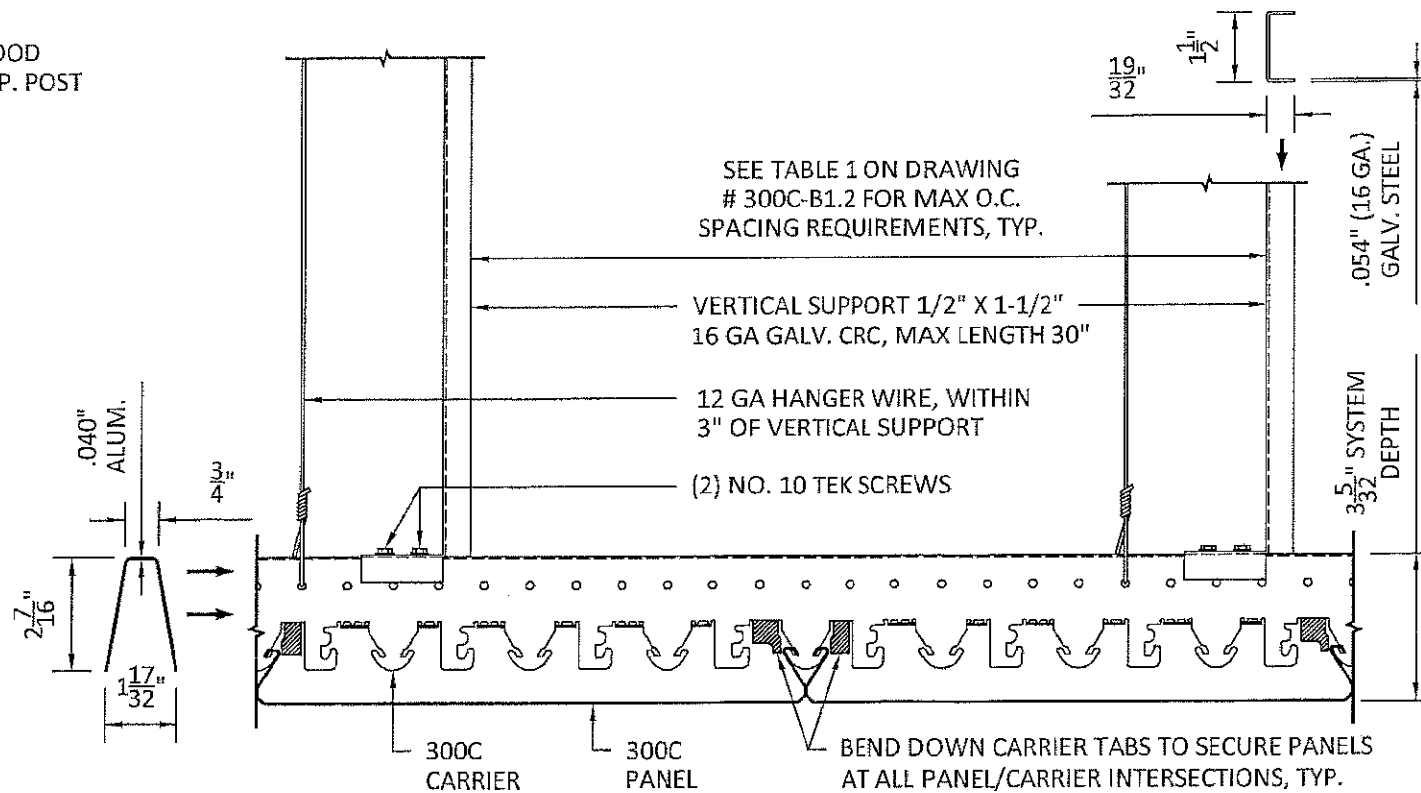
CONCRETE CONNECTION W/ EXP. ANCHORS & SHOT PINS



CONCRETE CONNECTION W/ SHOT PINS



WOOD CONNECTION W/ WOOD SCREWS



A SECTION AT VERTICAL SUPPORT ATTACHMENT
4 SCALE: 3" = 1'-0"

EXTERIOR INSTALLATION

PRODUCT REVISED
as complying with the Florida Building Code
NOA-No. **17-0807.11**
Expiration Date **05/05/2021**
By *[Signature]*
Miami-Dade Product Control

Approved as complying with the Florida Building Code
Date **05/05/2016**
NOA# **16-0125.06**
Miami-Dade Product Control
By *[Signature]*

HUNTER DOUGLAS ARCHITECTURAL PRODUCTS

5015 Oakbrook Parkway, Suite 100
Norcross, GA 30093
800-366-4327 / 770-806-9557
Fax: 770-806-0214

[Signature]
SCOTT WOLTERS
FL PE# 62354

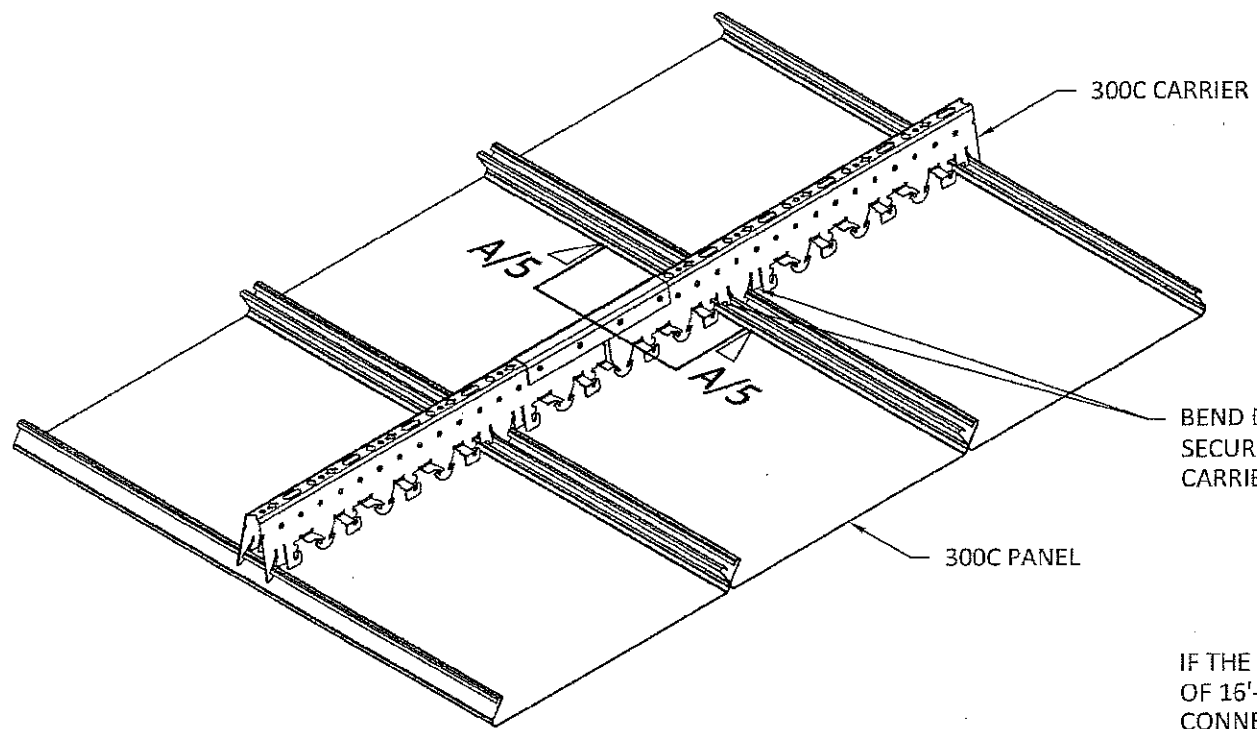
WOLTERS ENGINEERING
(COA# 27194)
15211 97TH ROAD N
WEST PALM BEACH, FL 33412
JAN 19 2016

SPECIFICATIONS
(unless noted otherwise)
MATERIAL: 300C PANEL: .028" ALUMINUM ALLOY 3005-H48
300C CARRIER: 0.040" ALUMINUM ALLOY 5050-H48
FINISHES: PAINT / POWDER COAT / DECORATED WOOD FINISH / LUXACOTE
PERFORATION: #160 (23% OPEN) / #124 (15% OPEN)

TOLERANCES
(unless noted otherwise)
DECIMAL: .0 +/- .060
.00 +/- .030
.000 +/- .010
FRACTIONAL: +/- 1/32"
ANGULAR: +/- 1/2 (.5°)

VERTICAL SUPPORT SPEC

PROJECT: 300C PRODUCT SPECIFICATIONS
DRAWING NUMBER: 300C-B1.3
PART NUMBER: N/A
SCALE: AS SHOWN
DATE: 9/9/15
DRAWN BY: HDAP ENGINEERING



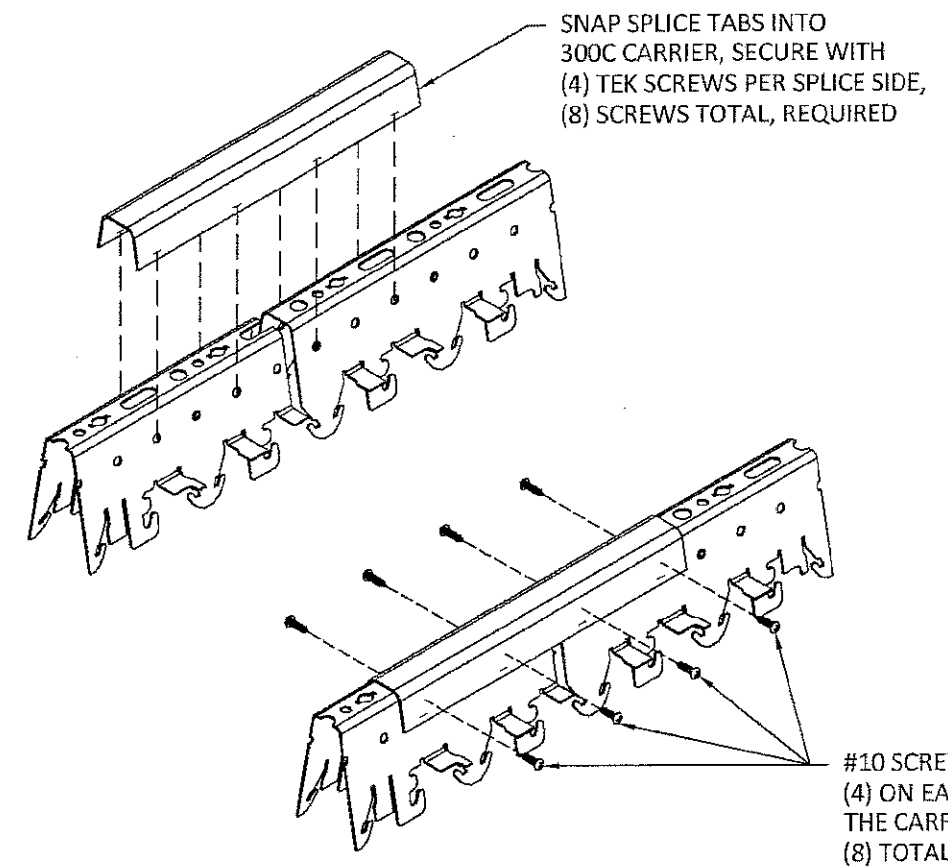
300C CARRIER

300C PANEL

BEND DOWN CARRIER TABS TO SECURE PANELS AT ALL PANEL/CARRIER INTERSECTIONS, TYP.

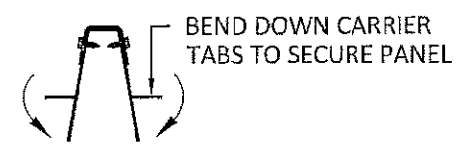
IF THE DESIRED CARRIER LENGTH EXCEEDS THE MAXIMUM OF 15'-0" [4.880M], USE A LUXALON CARRIER SPLICE, TO CONNECT TWO FACTORY CARRIER ENDS.

THE TABS OF THE SPLICE SNAP INTO THE HOLES IN THE CARRIER AND SECURE WITH TEK SCREWS ON BOTH CARRIER ENDS. THE MODULE IS CONTINUED AUTOMATICALLY.



SNAP SPLICE TABS INTO 300C CARRIER, SECURE WITH (4) TEK SCREWS PER SPLICE SIDE, (8) SCREWS TOTAL, REQUIRED

#10 SCREW FASTENERS (4) ON EACH SIDE OF THE CARRIER; (8) TOTAL, REQUIRED



BEND DOWN CARRIER TABS TO SECURE PANEL

A SECTION AT CARRIER END
5 SCALE: 3" = 1'-0"

PRODUCT REVISED
as complying with the Florida Building Code
NOA-No. **17-0807.11**
Expiration Date **05/05/2021**
By *[Signature]*
Miami-Dade Product Control

Approved as complying with the Florida Building Code
Date **05/05/2016**
NOA# **16-0125-06**
Miami-Dade Product Control
By *[Signature]*

EXTERIOR INSTALLATION

HUNTER DOUGLAS ARCHITECTURAL PRODUCTS

5015 Oakbrook Parkway, Suite 100
Norcross, GA 30093
800-366-4327 / 770-806-9557
Fax: 770-806-0214

[Signature]
SCOTT WOLTERS
FL PE# 62354

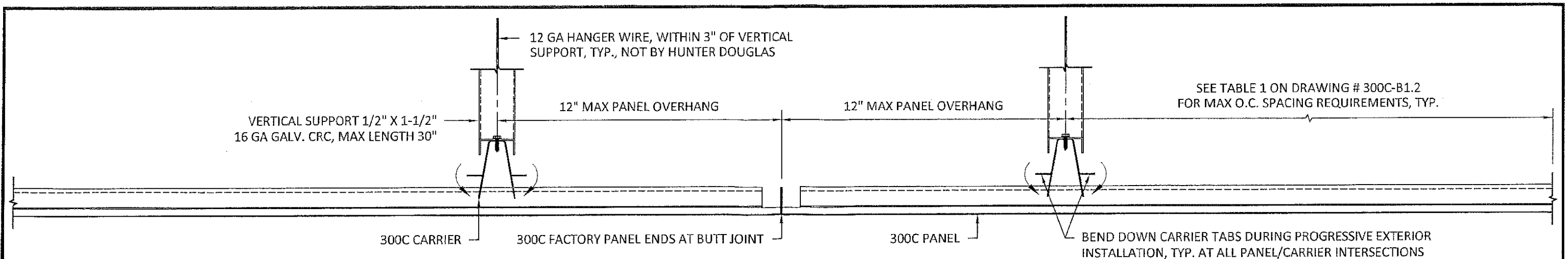
WOLTERS ENGINEERING
(COA# 27194)
15211 97TH ROAD N
WEST PALM BEACH, FL 33412
JAN 19 2016

SPECIFICATIONS
(unless noted otherwise)
MATERIAL: 300C PANEL: .028" ALUMINUM ALLOY 3005-H48
300C CARRIER: 0.040" ALUMINUM ALLOY 5050-H48
FINISHES: PAINT / POWDER COAT / DECORATED WOOD FINISH / LUXACOTE
PERFORATION: #160 (23% OPEN) / #124 (15% OPEN)

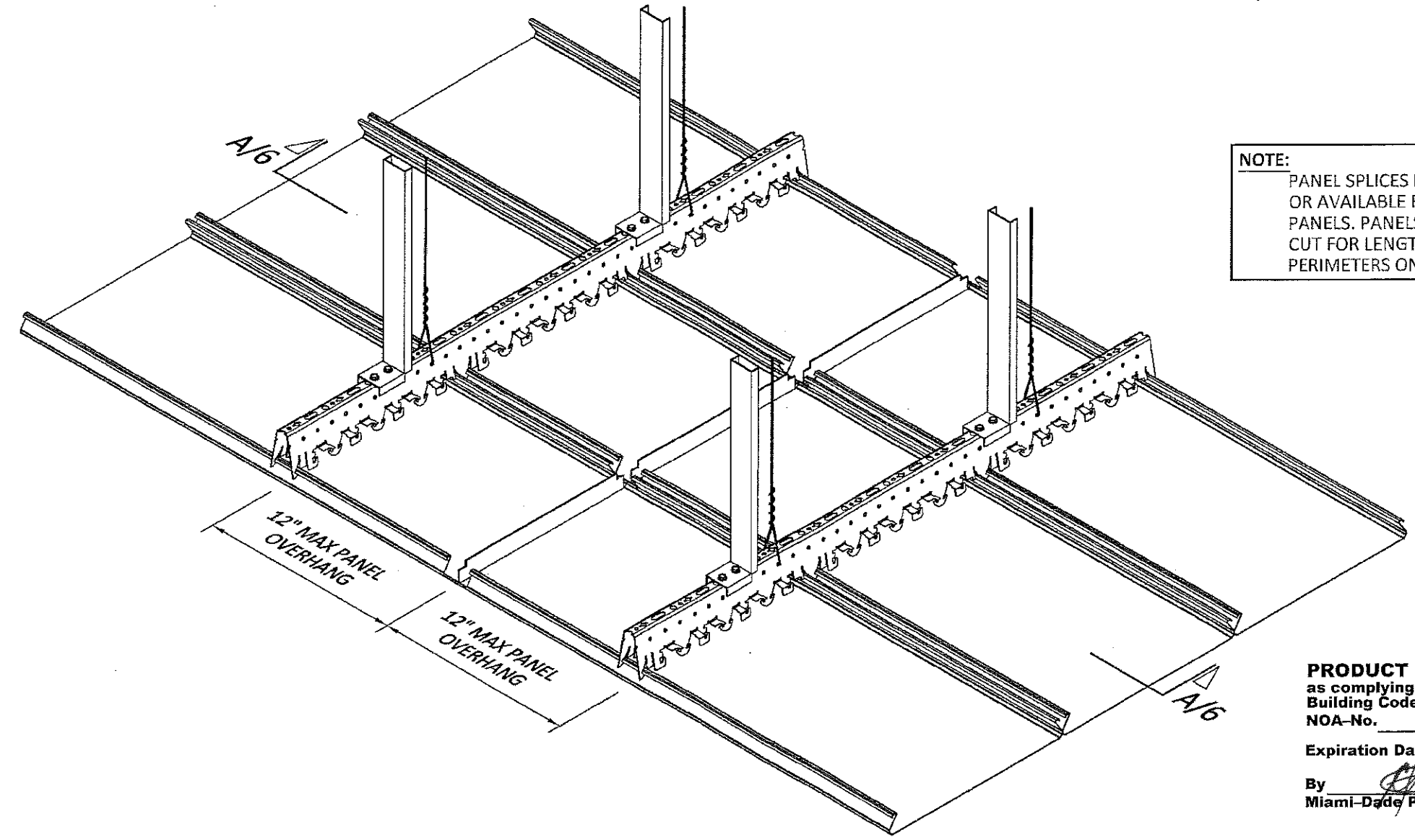
TOLERANCES
(unless noted otherwise)
DECIMAL: .0 +/- .060
.00 +/- .030
.000 +/- .010
FRACTIONAL: +/- 1/32"
ANGULAR: +/- 1/2° (.5°)

CARRIER SPLICE

PROJECT: 300C PRODUCT SPECIFICATIONS
DRAWING NUMBER: 300C-B1.4
PART NUMBER: N/A
SCALE: AS SHOWN
DATE: 9/9/15
DRAWN BY: HDAP ENGINEERING



A SECTION AT BUTT JOINT
6 SCALE: 3" = 1'-0"



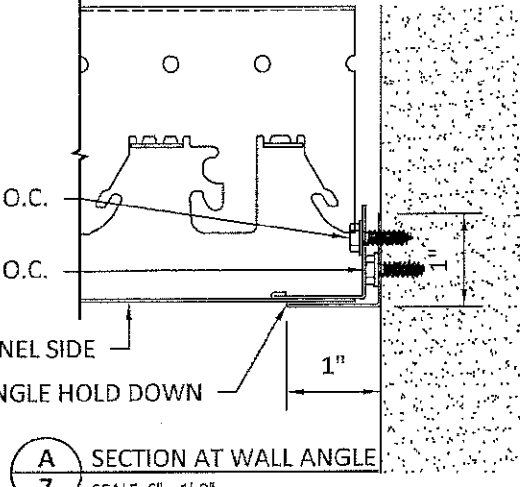
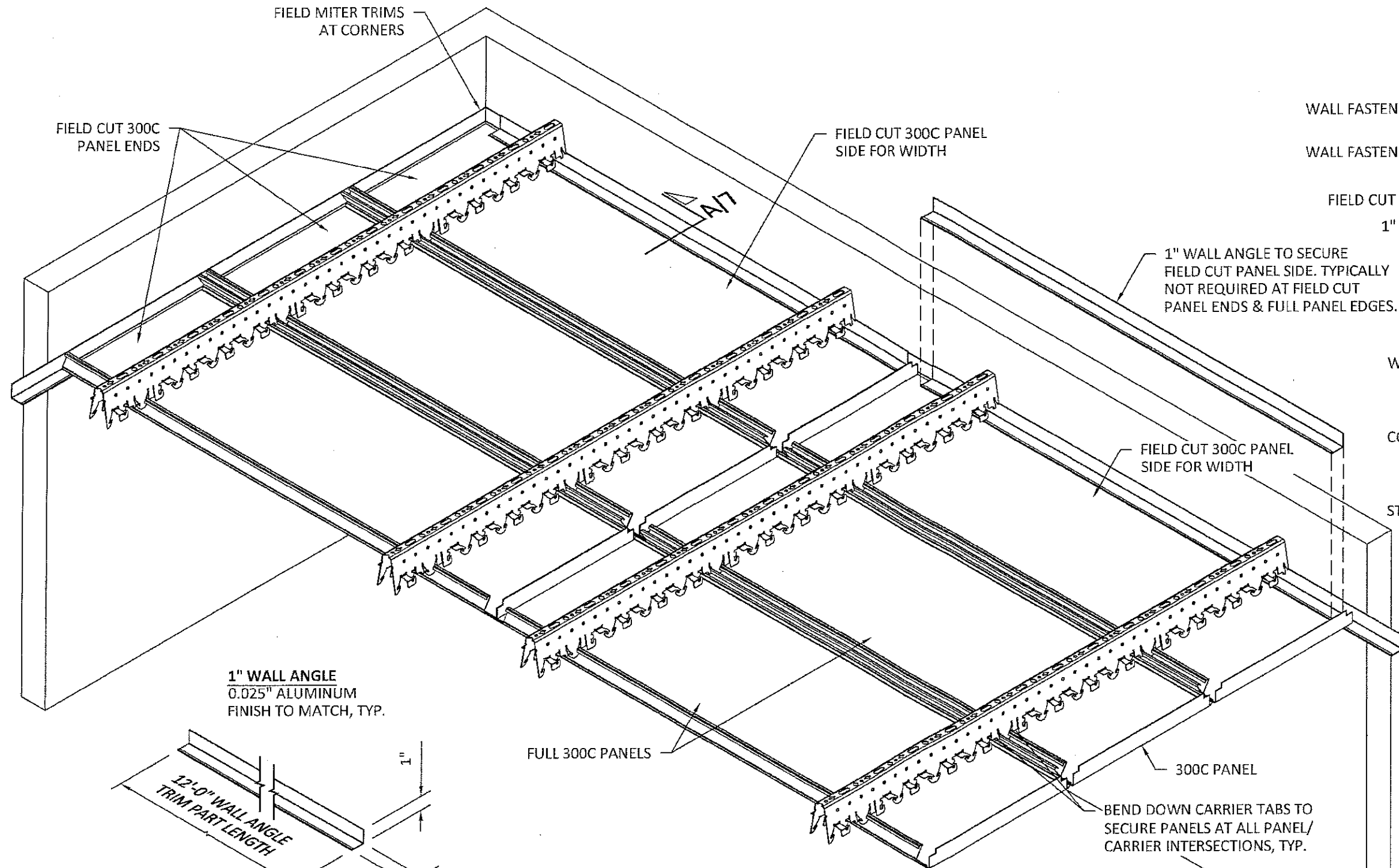
NOTE:
 PANEL SPLICES NOT REQUIRED OR AVAILABLE FOR 300C PANELS. PANELS MAY BE FIELD CUT FOR LENGTH AT CEILING PERIMETERS ONLY.

PRODUCT REVISED
 as complying with the Florida Building Code
 NOA-No. **17-0807.11**
 Expiration Date **05/05/2021**
 By *[Signature]*
 Miami-Dade Product Control

Approved as complying with the Florida Building Code
 Date **05/05/2016**
 NOA# **16-0125-06**
 Miami-Dade Product Control
 By *[Signature]*

EXTERIOR INSTALLATION

<p>HUNTER DOUGLAS ARCHITECTURAL PRODUCTS</p> <p>5015 Oakbrook Parkway, Suite 100 Norcross, GA 30093 800-366-4327 / 770-806-9557 Fax: 770-806-0214</p>	<p><i>[Signature]</i> SCOTT WOLTERS FL PE# 82354</p> <p>WOLTERS ENGINEERING (COA# 27194) 15211 97TH ROAD N WEST PALM BEACH, FL 33412 JAN 19 2016</p>	<p>SPECIFICATIONS (unless noted otherwise)</p> <p>MATERIAL: 300C PANEL: .028" ALUMINUM ALLOY 3005-H48 300C CARRIER: 0.040" ALUMINUM ALLOY 5050-H48</p> <p>FINISHES: PAINT / POWDER COAT / DECORATED WOOD FINISH / LUXACOTE</p> <p>PERFORATION: #160 (23% OPEN) / #124 (15% OPEN)</p>	<p>TOLERANCES (unless noted otherwise)</p> <p>DECIMAL: .0 +/- .050 .00 +/- .030 .000 +/- .010</p> <p>FRACTIONAL: +/- 1/32"</p> <p>ANGULAR: +/- 1/2° (.5°)</p>	<p>PANEL BUTT JOINT</p> <p>PROJECT: 300C PRODUCT SPECIFICATIONS DRAWING NUMBER: 300C-B1.5 PART NUMBER: N/A SCALE: AS SHOWN DATE: 9/9/15 DRAWN BY: HDAP ENGINEERING</p> <p style="text-align: right;">SHEET 6 OF 11</p>
---	--	---	---	--



WALL FASTENER*, 12" O.C.
WALL FASTENER*, 12" O.C.

FIELD CUT 300C PANEL SIDE
1" WALL ANGLE HOLD DOWN

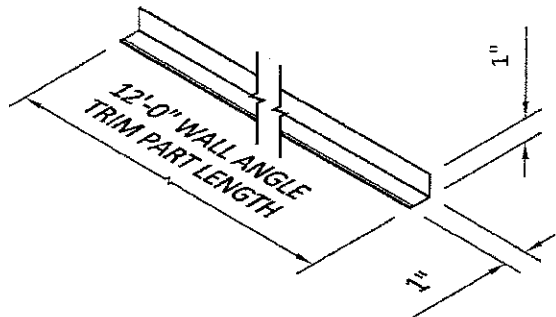
1" WALL ANGLE TO SECURE FIELD CUT PANEL SIDE. TYPICALLY NOT REQUIRED AT FIELD CUT PANEL ENDS & FULL PANEL EDGES.

A
7 SECTION AT WALL ANGLE
SCALE: 6" = 1'-0"

WALL FASTENER TYPES*:

- WOOD - #10 WOOD SCREW W/ 1-1/2" MIN. EMBED AND 3/4" MIN. EDGE DISTANCE
- CONCRETE - 3/16" DIA. TAPCON W/ 1-1/4" MIN. EMBED AND 1-1/2" MIN. EDGE DISTANCE.
- STEEL/ALUM. - #10 TEK SCREW W/ FULL EMBED THRU 18 GA. (MIN.) STEEL OR 1/8" (MIN.) ALUMINUM W/ 3/4" MIN. EDGE DISTANCE.

1" WALL ANGLE
0.025" ALUMINUM
FINISH TO MATCH, TYP.



FULL 300C PANELS

BEND DOWN CARRIER TABS TO SECURE PANELS AT ALL PANEL/CARRIER INTERSECTIONS, TYP.

WALL ANGLE TRIM

PRODUCT REVISED
as complying with the Florida Building Code
NOA-No. **17-0807.11**
Expiration Date **05/05/2021**
By *[Signature]*
Miami-Dade Product Control

Approved as complying with the Florida Building Code
Date *05/05/2016*
NOA# *16-0125.06*
Miami-Dade Product Control
By *[Signature]*

EXTERIOR INSTALLATION

*VERTICAL SUPPORT OMITTED FOR CLARITY

HUNTER DOUGLAS ARCHITECTURAL PRODUCTS

5015 Oakbrook Parkway, Suite 100
Norcross, GA 30093
800-366-4327 / 770-806-9557
Fax: 770-806-0214

[Signature]
SCOTT WOLTERS
FL PE# 62354

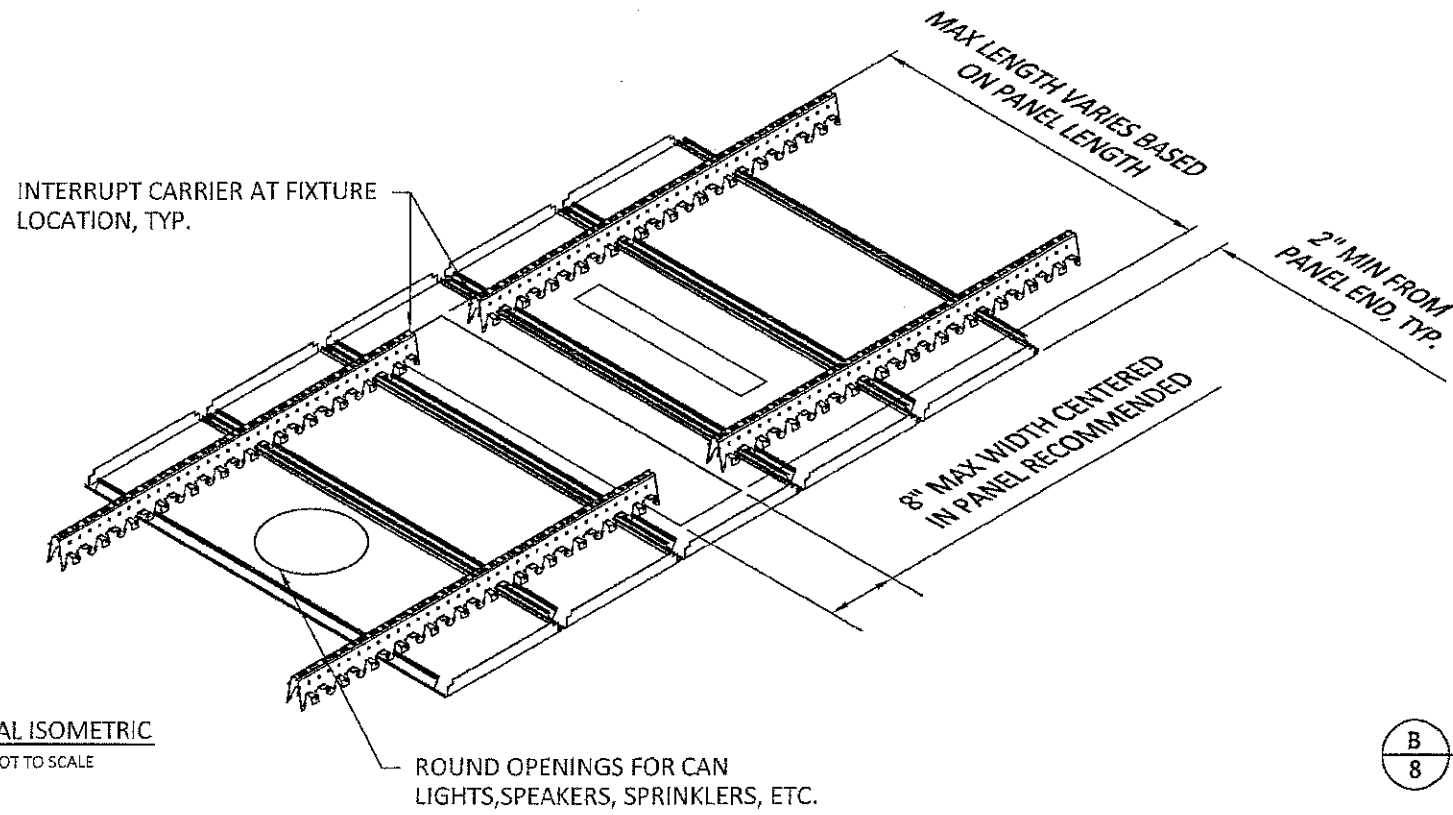
WOLTERS ENGINEERING
(COA# 27194)
15211 97TH ROAD N
WEST PALM BEACH, FL 33412
JAN 19 2016

SPECIFICATIONS
(unless noted otherwise)
MATERIAL: 300C PANEL: .028" ALUMINUM ALLOY 3005-H48
300C CARRIER: 0.040" ALUMINUM ALLOY 5050-H48
FINISHES: PAINT / POWDER COAT / DECORATED WOOD FINISH / LUXACOTE
PERFORATION: #160 (23% OPEN) / #124 (15% OPEN)

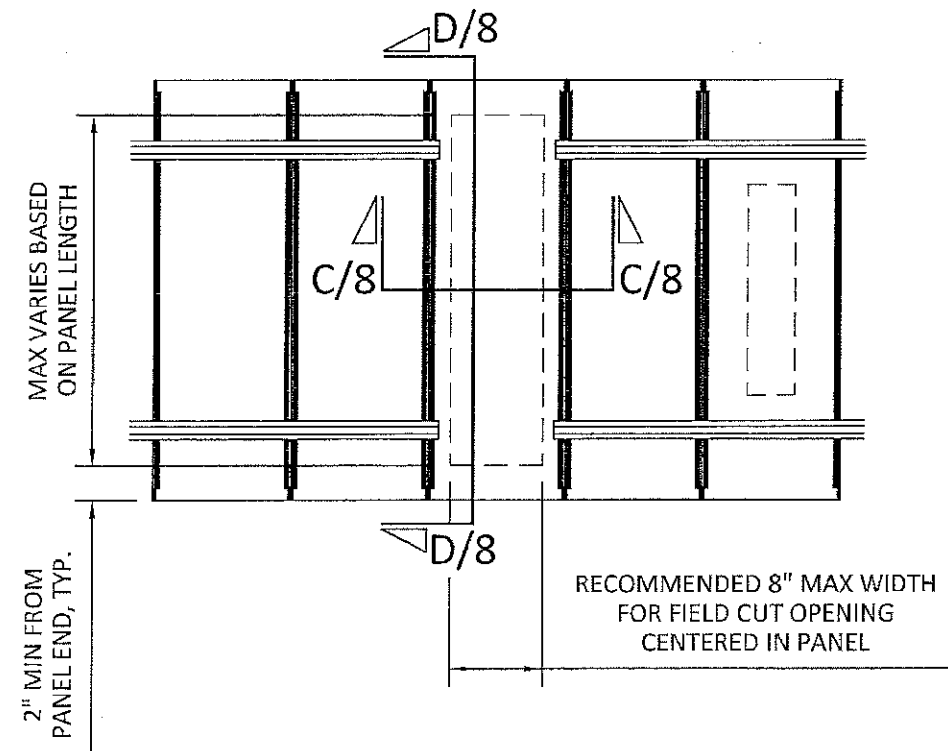
TOLERANCES
(unless noted otherwise)
DECIMAL: .0 +/- .060
.00 +/- .030
.000 +/- .010
FRACTIONAL: +/- 1/32"
ANGULAR: +/- 1/2° (.5°)

WALL ANGLE TRIM

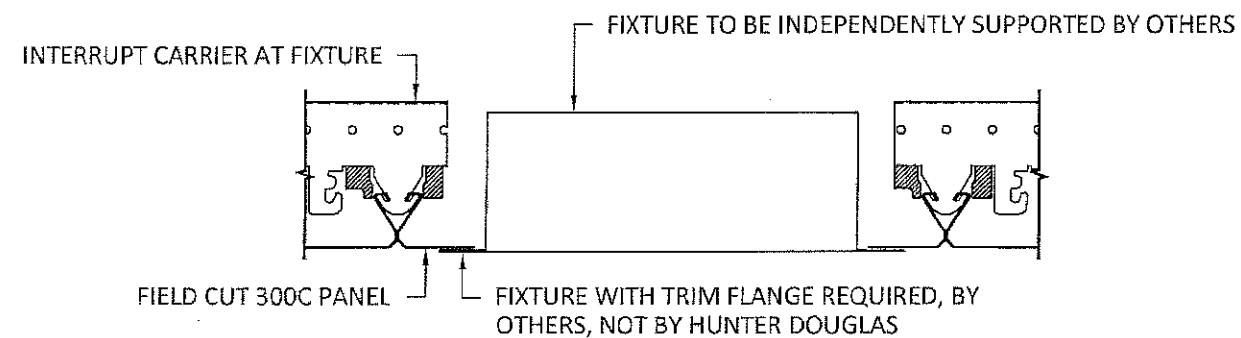
PROJECT: 300C PRODUCT SPECIFICATIONS
DRAWING NUMBER: 300C-B1.6
PART NUMBER: N/A
SCALE: AS SHOWN
DATE: 9/9/15
DRAWN BY: HDAP ENGINEERING



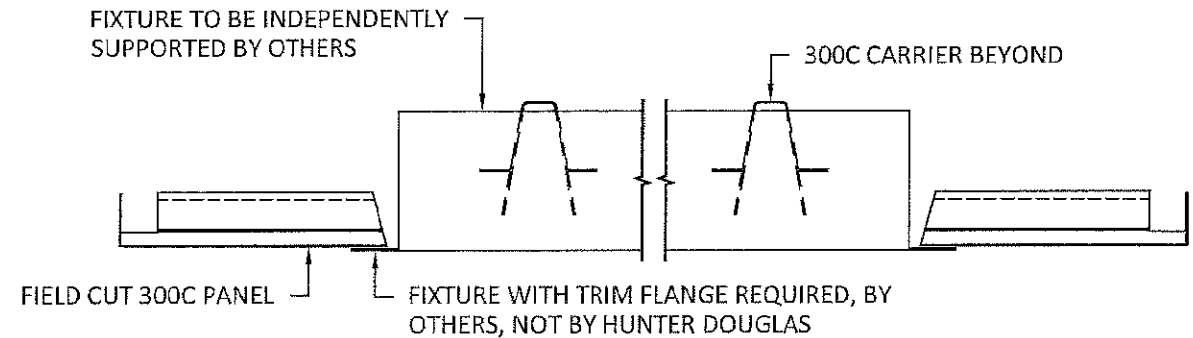
A
8
TYPICAL ISOMETRIC
SCALE: NOT TO SCALE



B
8
TYPICAL R.C.P.
SCALE: NOT TO SCALE



C
8
SECTION AT FIXTURE OPENING
SCALE: 3" = 1'-0"



D
8
SECTION AT FIXTURE OPENING
SCALE: 3" = 1'-0"

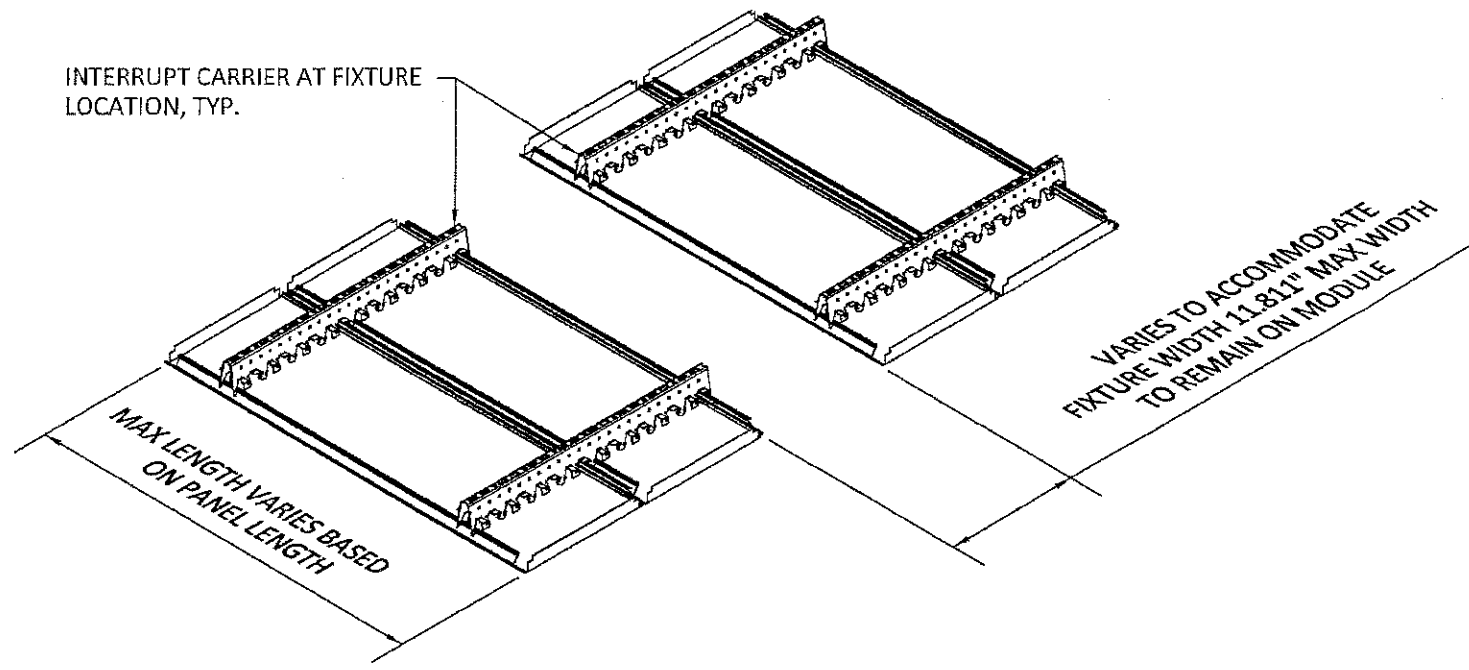
NOTE: ROUND OPENINGS LESS THAN EIGHT (8) INCHES DIAMETER TYPICALLY FIELD CUT INTO PANEL FACE, TRIM FOR ALL FIXTURES BY OTHERS, NOT BY HUNTER DOUGLAS

PRODUCT REVISED
as complying with the Florida Building Code
NOA-No. **17-0807.11**
Expiration Date **05/05/2021**
By *[Signature]*
Miami-Dade Product Control

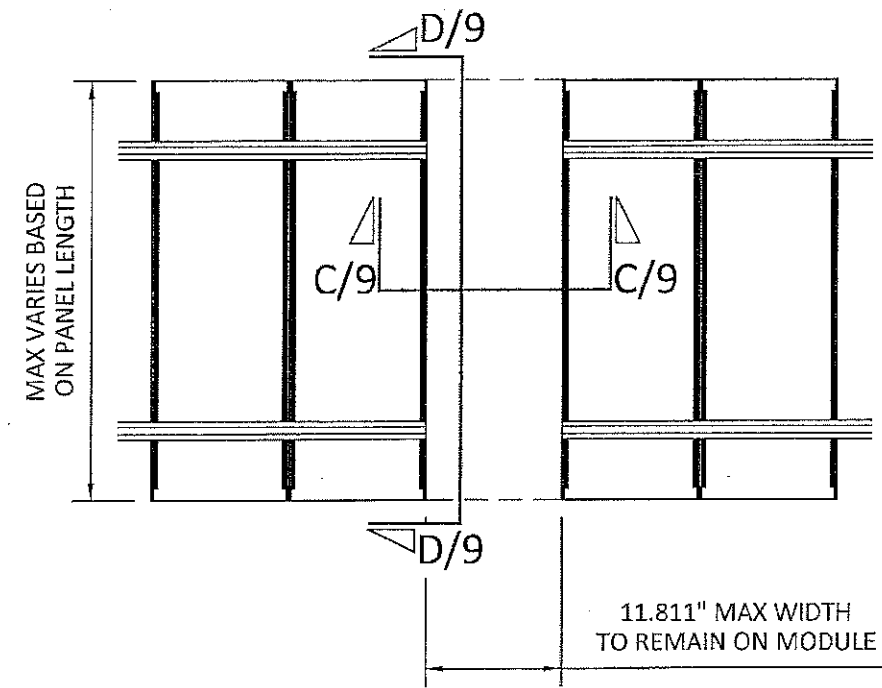
Approved as complying with the Florida Building Code
Date **05/05/2016**
NOA# **16-0125.06**
Miami-Dade Product Control
By *[Signature]*

*VERTICAL SUPPORT OMITTED FOR CLARITY

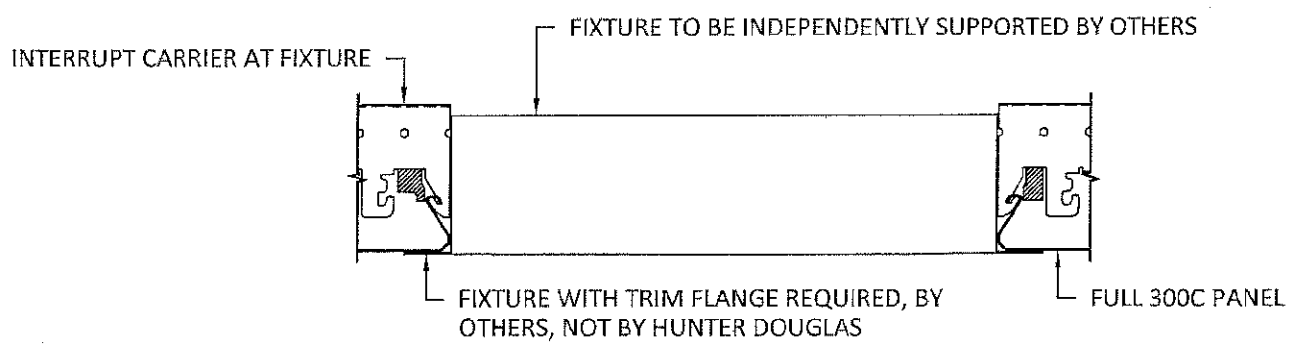
<p>HUNTER DOUGLAS ARCHITECTURAL PRODUCTS</p> <p>5015 Oakbrook Parkway, Suite 100 Norcross, GA 30093 800-366-4327 / 770-806-9557 Fax: 770-806-0214</p>	<p><i>[Signature]</i> SCOTT WOLTERS FL PE# 62354</p> <p>WOLTERS ENGINEERING (COA# 27194) 15211 97TH ROAD N WEST PALM BEACH, FL 33412 JAN 19 2016</p>	<p>SPECIFICATIONS (unless noted otherwise)</p> <p>MATERIAL: 300C PANEL: .028" ALUMINUM ALLOY 3005-H48 300C CARRIER: 0.040" ALUMINUM ALLOY 5050-H48</p> <p>FINISHES: PAINT / POWDER COAT / DECORATED WOOD FINISH / LUXACOTE</p> <p>PERFORATION: #160 (23% OPEN) / #124 (15% OPEN)</p>	<p>TOLERANCES (unless noted otherwise)</p> <p>DECIMAL: .0 +/- .060 .00 +/- .030 .000 +/- .010</p> <p>FRACTIONAL: +/- 1/32"</p> <p>ANGULAR: +/- 1/2° (.5°)</p>	<p>FIELD CUT PANEL FOR FIXTURE OPENINGS</p> <p>PROJECT: 300C PRODUCT SPECIFICATIONS DRAWING NUMBER: 300C-B1.8 PART NUMBER: N/A SCALE: AS SHOWN DATE: 9/9/15 DRAWN BY: HDAP ENGINEERING</p> <p style="text-align: right;">SHEET 8 OF 11</p>
--	---	---	--	---



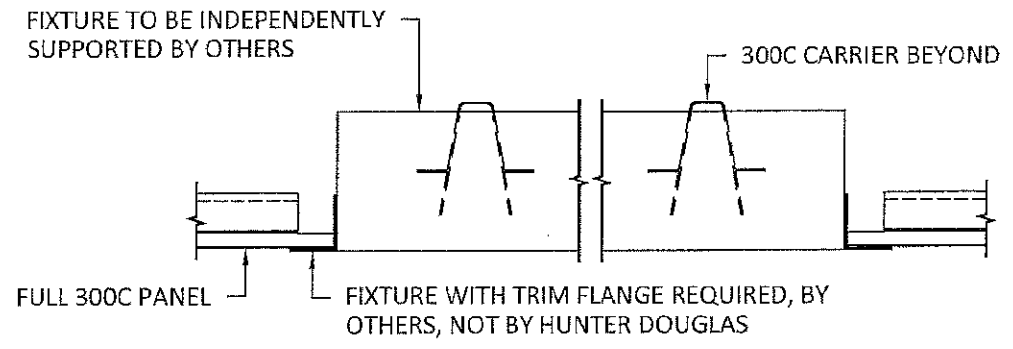
A TYPICAL ISOMETRIC
9 SCALE: NOT TO SCALE



B TYPICAL R.C.P.
9 SCALE: NOT TO SCALE



C SECTION AT FIXTURE OPENING
9 SCALE: 3" = 1'-0"



D SECTION AT FIXTURE OPENING
9 SCALE: 3" = 1'-0"

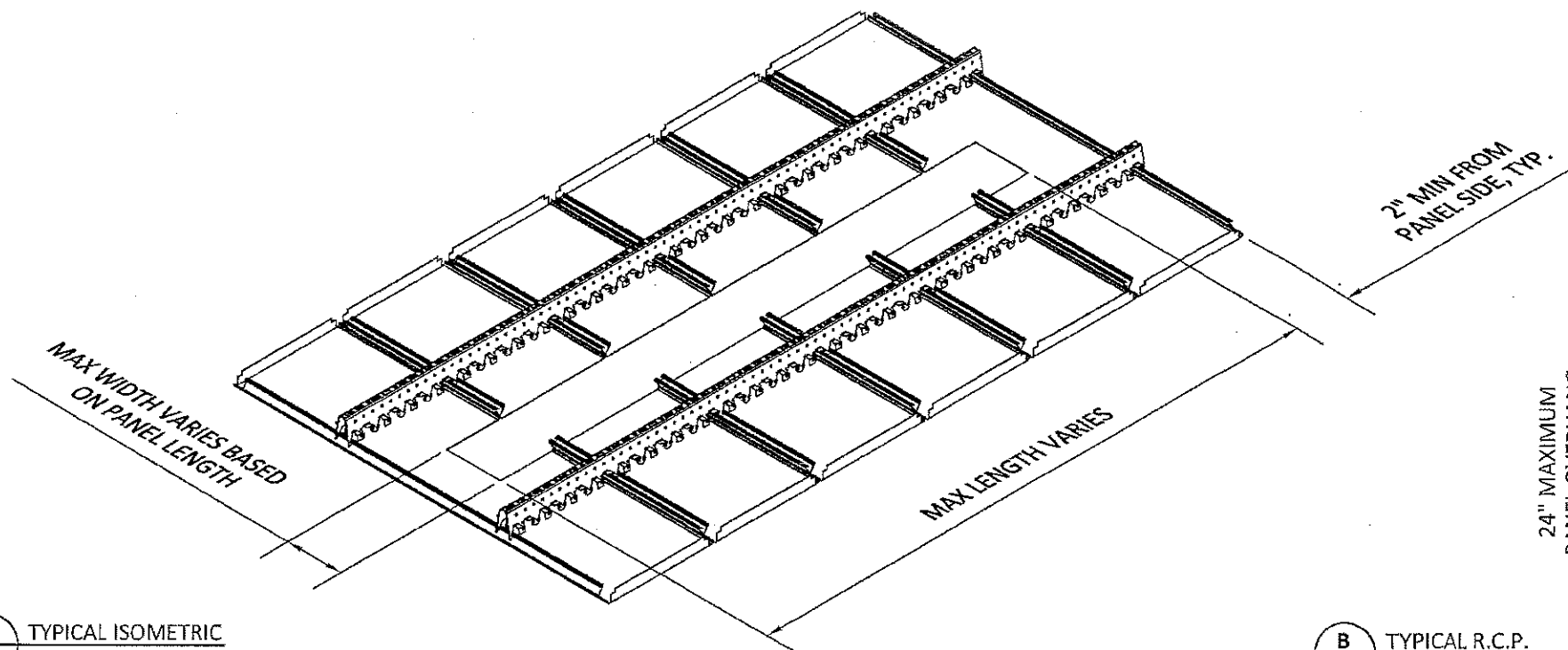
PRODUCT REVISED
as complying with the Florida Building Code
NOA-No. **17-0807.11**
Expiration Date **05/05/2021**
By *[Signature]*
Miami-Dade Product Control

Approved as complying with the Florida Building Code
Date *05/05/2016*
NOA# *16-0125.06*
Miami-Dade Product Control
By *[Signature]*

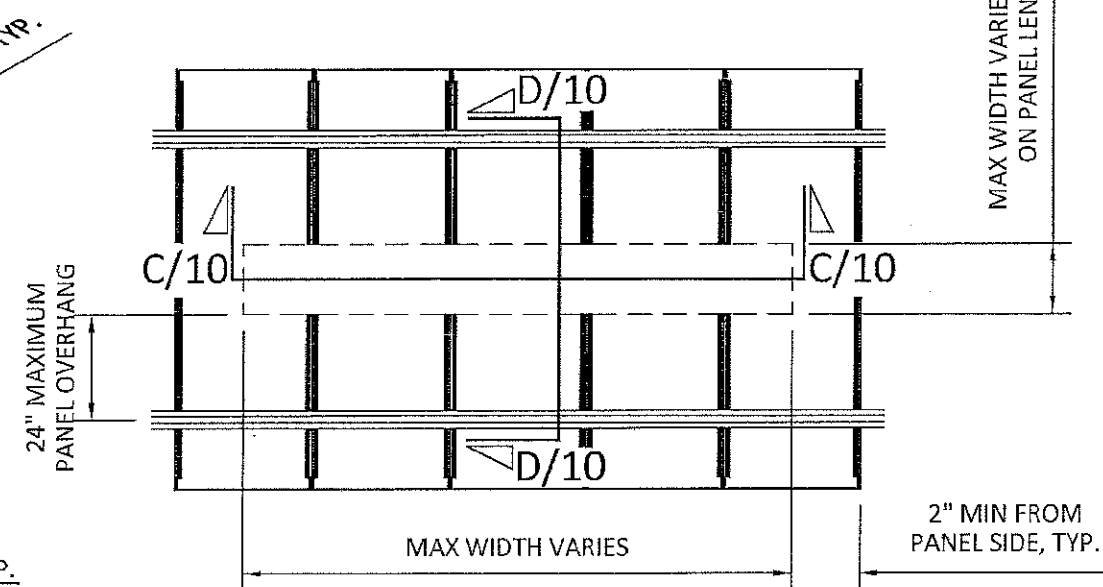
NOTE: FIXTURE WITH TRIM FLANGE NOT BY HUNTER DOUGLAS

*VERTICAL SUPPORT OMITTED FOR CLARITY

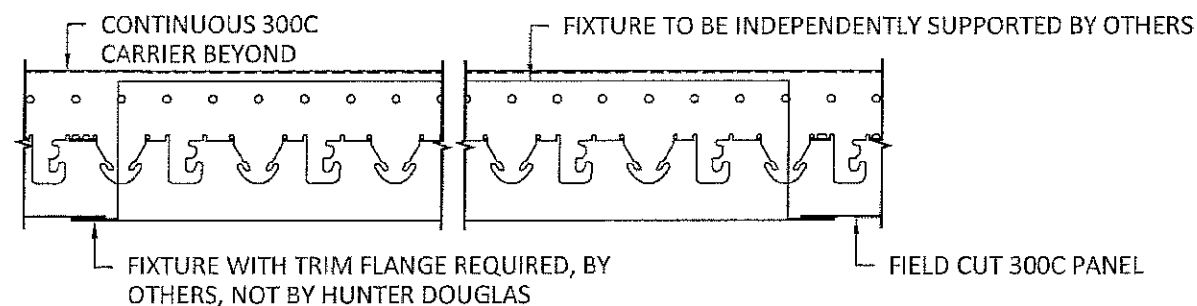
<p>HUNTER DOUGLAS ARCHITECTURAL PRODUCTS</p> <p>5015 Oakbrook Parkway, Suite 100 Norcross, GA 30093 800-366-4327 / 770-806-9557 Fax: 770-806-0214</p>	<p><i>[Signature]</i> SCOTT WOLTERS FL PE# 82354</p> <p>WOLTERS ENGINEERING (COA# 27194) 15211 97TH ROAD N WEST PALM BEACH, FL 33412 JAN 19 2016</p>	<p>SPECIFICATIONS (unless noted otherwise)</p> <p>MATERIAL: 300C PANEL: .028" ALUMINUM ALLOY 3005-H48 300C CARRIER: 0.040" ALUMINUM ALLOY 5050-H48</p> <p>FINISHES: PAINT / POWDER COAT / DECORATED WOOD FINISH / LUXACOTE</p> <p>PERFORATION: #160 (23% OPEN) / #124 (15% OPEN)</p>	<p>TOLERANCES (unless noted otherwise)</p> <p>DECIMAL: .0 +/- .060 .00 +/- .030 .000 +/- .010</p> <p>FRACTIONAL: +/- 1/32"</p> <p>ANGULAR: +/- 1/2° (1.5°)</p>	<p>INTERRUPTED PANEL FOR FIXTURE OPENINGS</p> <p>PROJECT: 300C PRODUCT SPECIFICATIONS DRAWING NUMBER: 300C-B1.9 PART NUMBER: N/A SCALE: AS SHOWN DATE: 9/9/15 DRAWN BY: HDAP ENGINEERING</p> <p style="text-align: right;">SHEET 9 OF 11</p>
--	---	---	---	---



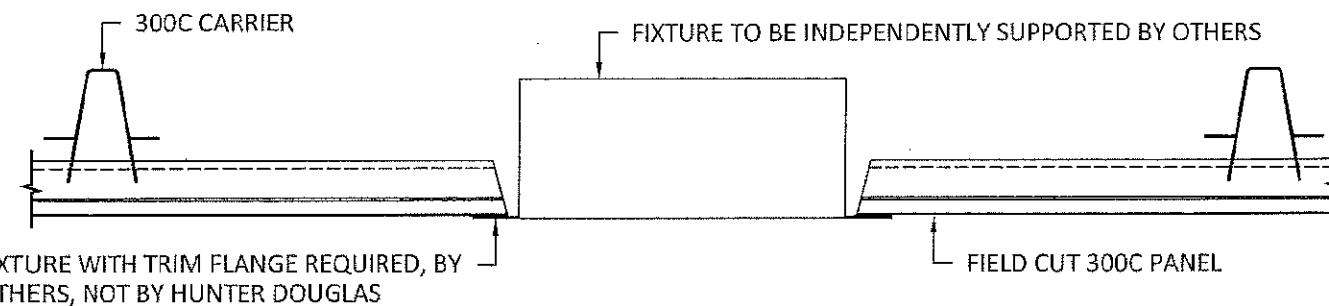
A TYPICAL ISOMETRIC
10 SCALE: NOT TO SCALE



B TYPICAL R.C.P.
10 SCALE: NOT TO SCALE



C SECTION AT FIXTURE OPENING
10 SCALE: 3" = 1'-0"



D SECTION AT FIXTURE OPENING
10 SCALE: 3" = 1'-0"

NOTE: ROUND OPENINGS LESS THAN EIGHT (8) INCHES DIAMETER TYPICALLY FIELD CUT INTO PANEL FACE, TRIM FOR ALL FIXTURES BY OTHERS, NOT BY HUNTER DOUGLAS

PRODUCT REVISED
as complying with the Florida Building Code
NOA-No. **17-0807.11**
Expiration Date **05/05/2021**
By *[Signature]*
Miami-Dade Product Control

Approved as complying with the Florida Building Code
Date **05/05/2016**
NOA# **16-0125.06**
By *[Signature]*
Miami-Dade Product Control

*VERTICAL SUPPORT OMITTED FOR CLARITY

HUNTER DOUGLAS ARCHITECTURAL PRODUCTS

5015 Oakbrook Parkway, Suite 100
Norcross, GA 30093
800-366-4327 / 770-806-9557
Fax: 770-806-0214

[Signature]
SCOTT WOLTERS
FL PE# 62354

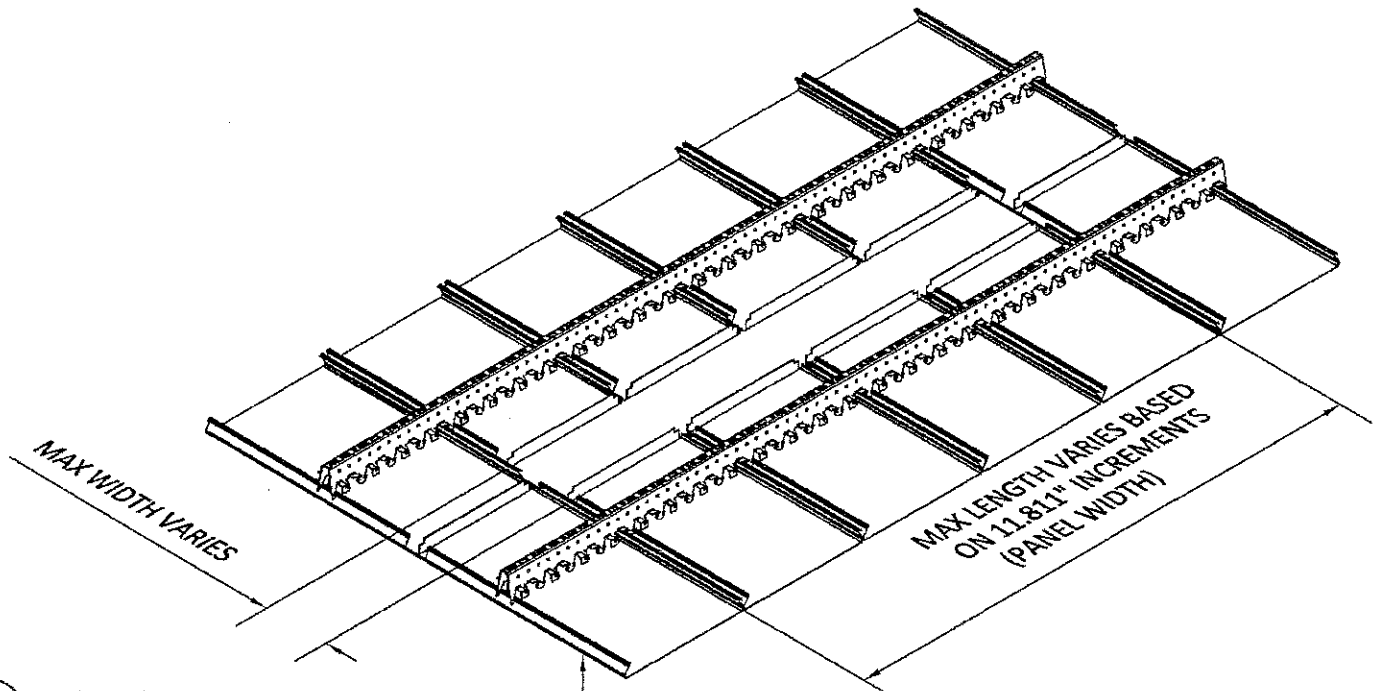
WOLTERS ENGINEERING
(COA# 27194)
15211 97TH ROAD N
WEST PALM BEACH, FL 33412
JAN 19 2016

SPECIFICATIONS
(unless noted otherwise)
MATERIAL: 300C PANEL: .028" ALUMINUM ALLOY 3005-H48
300C CARRIER: 0.040" ALUMINUM ALLOY 5050-H48
FINISHES: PAINT / POWDER COAT / DECORATED WOOD FINISH / LUXACOTE
PERFORATION: #160 (23% OPEN) / #124 (15% OPEN)

TOLERANCES
(unless noted otherwise)
DECIMAL: .0 +/- .060
.00 +/- .030
.000 +/- .010
FRACTIONAL: +/- 1/32"
ANGULAR: +/- 1/2° (5")

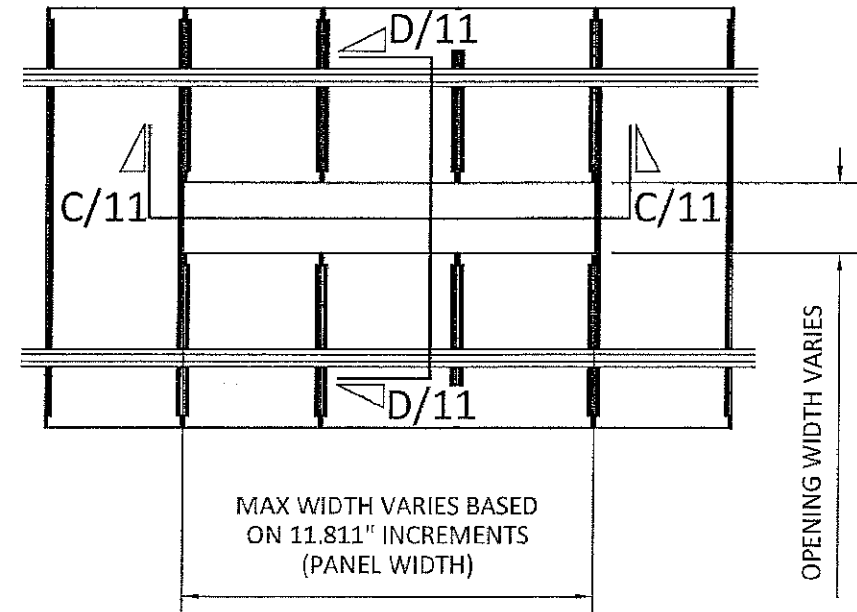
FIELD CUT PANEL FOR FIXTURE OPENINGS

PROJECT: 300C PRODUCT SPECIFICATIONS
DRAWING NUMBER: 300C-B1.10
PART NUMBER: N/A
SCALE: AS SHOWN
DATE: 9/9/15
DRAWN BY: HDAP ENGINEERING

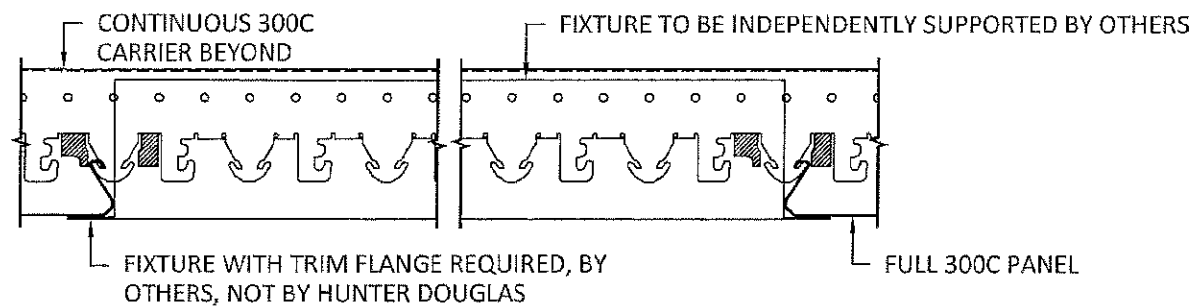


A TYPICAL ISOMETRIC
11 SCALE: NOT TO SCALE

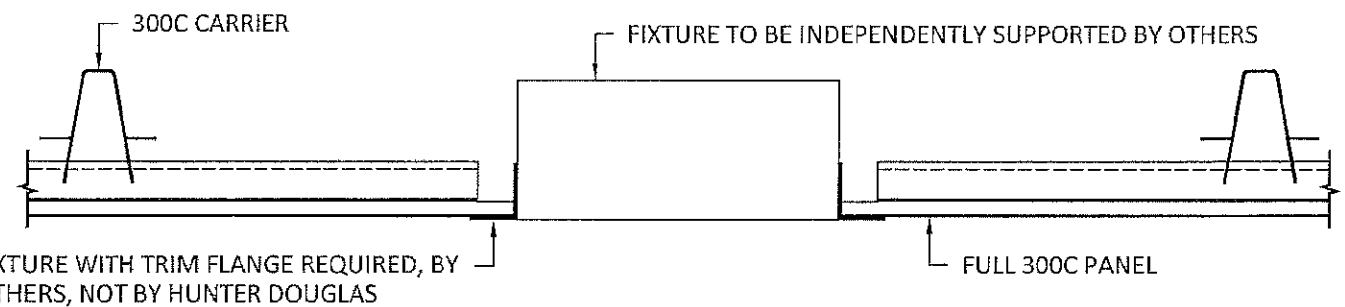
PANEL LENGTHS FACTORY FABRICATED TO MAINTAIN PANEL SEAM MODULE



B TYPICAL R.C.P.
11 SCALE: NOT TO SCALE



C SECTION AT FIXTURE OPENING
11 SCALE: 3" = 1'-0"



D SECTION AT FIXTURE OPENING
11 SCALE: 3" = 1'-0"

PRODUCT REVISED
as complying with the Florida Building Code
NOA-No. **17-0807.11**
Expiration Date **05/05/2021**
By *[Signature]*
Miami-Dade Product Control

Approved as complying with the Florida Building Code
Date *05/05/2016*
NOA# *16-0125.06*
By *[Signature]*

NOTE: FIXTURE WITH TRIM FLANGE NOT BY HUNTER DOUGLAS

*VERTICAL SUPPORT OMITTED FOR CLARITY

HUNTER DOUGLAS ARCHITECTURAL PRODUCTS

5015 Oakbrook Parkway, Suite 100
Norcross, GA 30093
800-366-4327 / 770-806-9557
Fax: 770-806-0214

[Signature]
SCOTT WOLTERS
FL PE# 62354

WOLTERS ENGINEERING
(COA# 27194)
15211 97TH ROAD N
WEST PALM BEACH, FL 33412
JAN 19 2016

SPECIFICATIONS
(unless noted otherwise)
MATERIAL: 300C PANEL: .028" ALUMINUM ALLOY 3005-H48
300C CARRIER: 0.040" ALUMINUM ALLOY 5050-H48
FINISHES: PAINT / POWDER COAT / DECORATED WOOD FINISH / LUXACOTE
PERFORATION: #160 (23% OPEN) / #124 (15% OPEN)

TOLERANCES
(unless noted otherwise)
DECIMAL: .0 +/- .060
.00 +/- .030
.000 +/- .010
FRACTIONAL: +/- 1/32"
ANGULAR: +/- 1/2° (.5°)

INTERRUPTED PANEL FOR FIXTURE OPENINGS

PROJECT: 300C PRODUCT SPECIFICATIONS
DRAWING NUMBER: 300C-B1.11
PART NUMBER: N/A
SCALE: AS SHOWN
DATE: 9/9/15
DRAWN BY: HDAP ENGINEERING