

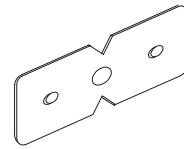
# Cloud Perimeter Trim

The Cloud Perimeter Trim System provides extruded aluminum channel trim for termination of suspended ceiling elements (clouds, peninsulas, transitions to drywall).

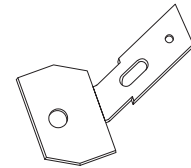
## Cloud Perimeter Trim

- Straight or curved (convex or concave).
- Sturdy extruded aluminum.
- Factory mitered corners option.
- Integrates with standard ceiling systems.
- Engineered to product specifications.
- 75% recycled content (25% post-consumer, 50% pre-consumer).
- Available in standard white and custom colors.

## System Components



Splice Clip – CAS-SP



T-Joint Clip – CAS-TC

## Cloud Perimeter Trim

Straight		Nominal Dimensions	
ITEM #	LENGTH	HEIGHT	FACE
CAS-002	144" (3.66m)	1.938" (49.20mm)	0.75" (19.05mm)
CAS-004	144" (3.66m)	3.829" (97.30mm)	0.75" (19.05mm)
CAS-006	144" (3.66m)	5.813" (147.70mm)	0.75" (19.05mm)
CAS-008	144" (3.66m)	7.813" (198.50mm)	0.75" (19.05mm)
CAS-010	144" (3.66m)	9.813" (249.30mm)	0.75" (19.05mm)
CAS-012	144" (3.66m)	11.813" (300mm)	0.75" (19.05mm)

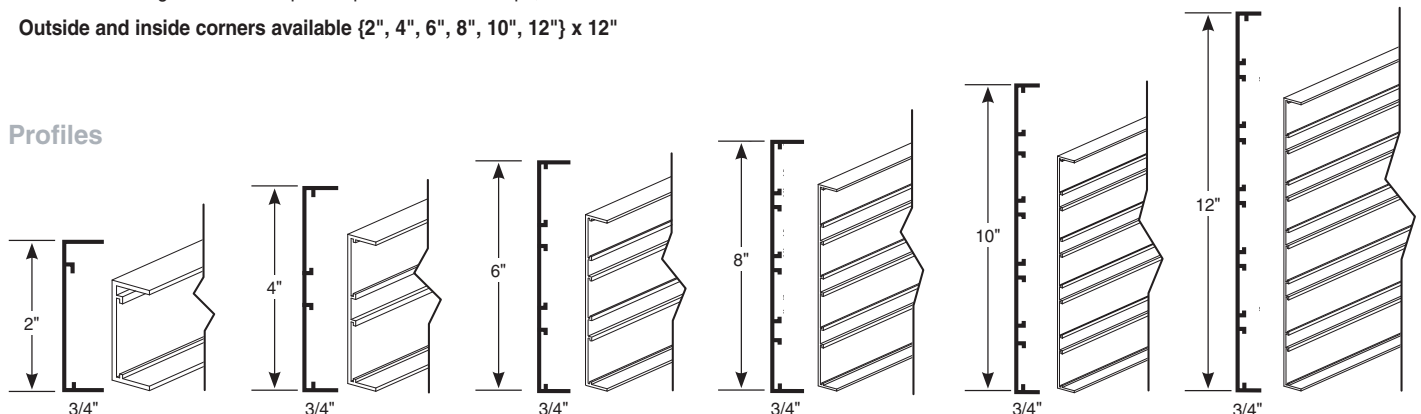
  

Curved		Nominal Dimensions	
ITEM #	LENGTH	HEIGHT	FACE
CAS-002R	120" (3.05m) net	1.938" (49.20mm)	0.75" (19.05mm)
CAS-004R	120" (3.05m) net	3.829" (97.30mm)	0.75" (19.05mm)
CAS-006R	120" (3.05m) net	5.813" (147.70mm)	0.75" (19.05mm)
CAS-008R	120" (3.05m) net	7.813" (198.50mm)	0.75" (19.05mm)
CAS-010R	120" (3.05m) net	9.813" (249.30mm)	0.75" (19.05mm)
CAS-012R	120" (3.05m) net	11.813" (300mm)	0.75" (19.05mm)

Standard 12' length includes 2 splice clips and 6 T-Joint clips; additional available for order.

Outside and inside corners available {2", 4", 6", 8", 10", 12"} x 12"

## Profiles





Cloud Perimeter Trim