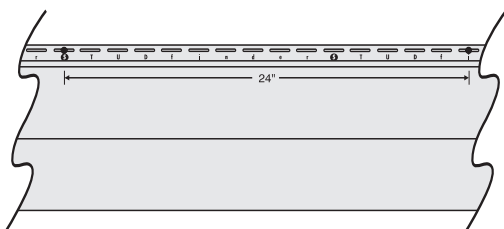
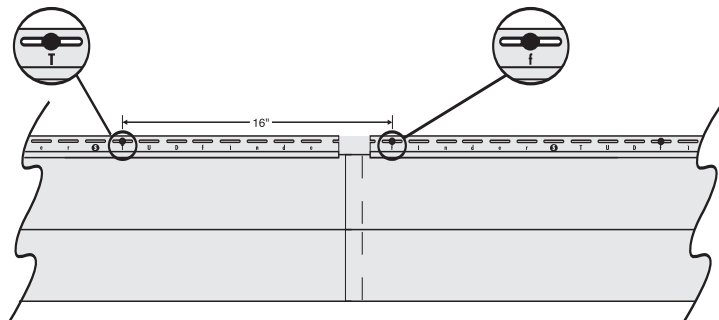
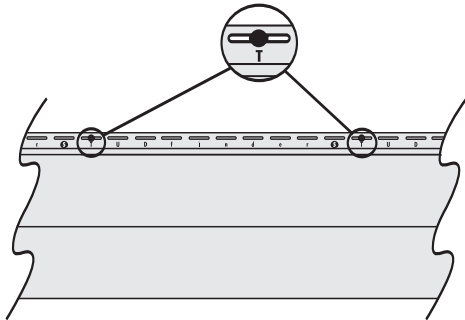


These instructions describe and illustrate the steps involved in installing CertainTeed siding and trim. Their purpose is to provide detailed information and how-to tips that will simplify the installation process. CertainTeed shall not accept any liability or responsibility under its written warranty for failure caused by application that does not meet our minimum requirements for proper installation. These requirements are outlined throughout the *CertainTeed Installation Guide (CTS205)*. Any deviations from these requirements should be approved in writing by CertainTeed Corporation.

The STUDfinder™ Installation System combines precisely engineered nail slot locations with graphics to create a siding panel that is designed to help ensure quick, accurate and secure installation.



The nail slots are positioned 16" and 24" on center to allow for alignment with studs, with STUDfinder graphics centered directly under each nail slot. In areas without special wind-load requirements, some vinyl siding may be used in 24" on center construction. Check with your local building code official for special requirements and ICC-ES Evaluation Report ESR-1066 for specific wind-load requirements.

Locate the first stud and fasten in the center of the nail slot. Ensure that nail/staple penetration is at least 3/4" to comply with ASTM D4756 (specification for vinyl siding installation). Notice which STUDfinder letter appears below the slot.

Go to the next repeat of the letter to find the next stud. For example, if your first stud is at "T," so will the succeeding studs in 16" o.c. applications (every 10th slot). When installing 16' or 20' Monogram 46L panels or CedarBoards XL 16'8" panels, the succeeding studs are at every 8th slot.

24" o.c. applications will use a similar pattern of letters, with 2 letters that repeat every-other stud (every 15th slot). For example, if the first stud is located at "S," then the next will be at "I," then "S," then "I," etc. When installing 16' or 20' Monogram 46L panels on 24" centers, the succeeding studs are at every 12th slot.

When you apply the next panel, adjust the overlap, as necessary, to line up with studs and repeat the steps above.

NOTE: *The overlap must be a minimum of 1" - 1-1/2". The overlapping panels may not use the same letter as your initial panel.*

If you have any questions about installing this product, please call us at 800-233-8990.