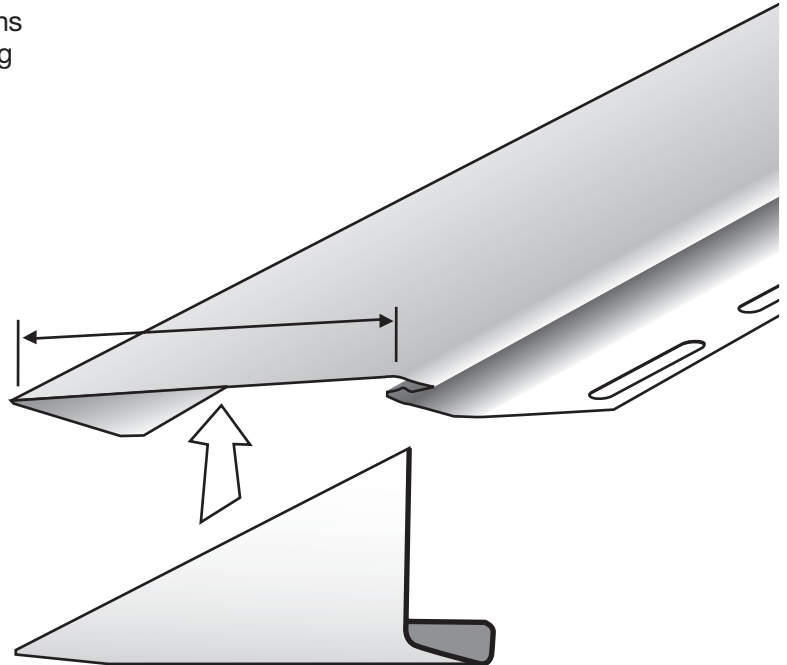
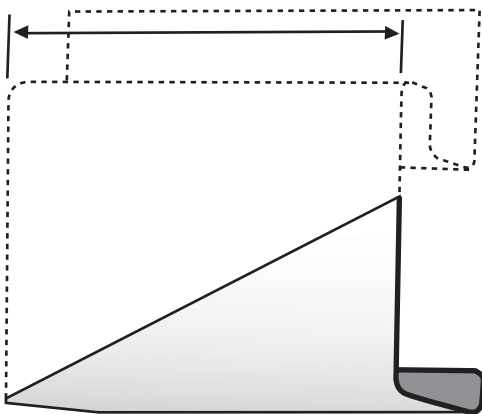


## Installation Instructions Capping a Lineal Used as a Rake Board

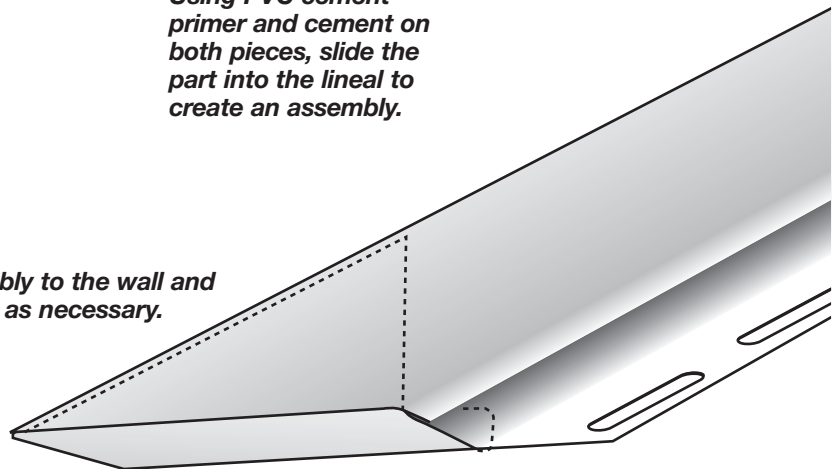
These instructions describe and illustrate the steps involved in installing CertainTeed siding and trim. Their purpose is to provide detailed information and how-to tips that will simplify the installation process. CertainTeed shall not accept any liability or responsibility under its written warranty for failure caused by application that does not meet our requirements for proper installation. These requirements are outlined throughout the *CertainTeed Installation Guide (CTS205)*. Any deviations from these requirements should be approved in writing by CertainTeed Corporation.

***Cut a section of lineal equal in length to the face of the lineal. This dimension is dependent on the rake angle.***



***Using PVC cement primer and cement on both pieces, slide the part into the lineal to create an assembly.***

***Apply the assembly to the wall and secure it, nailing as necessary.***



If you have any questions about installing these products, please call us at 800-233-8990.