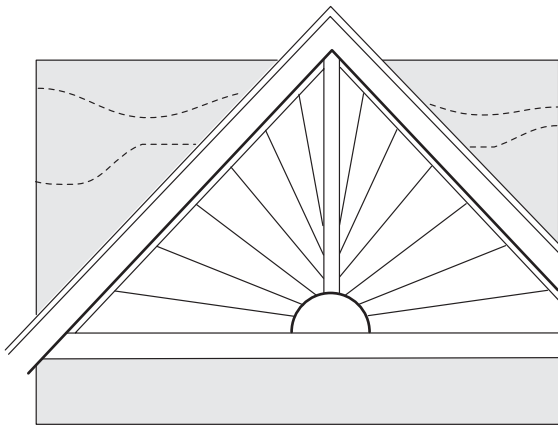


Installation Instructions Decorative Sunbursts

These instructions describe and illustrate the steps involved in installing CertainTeed siding and trim. Their purpose is to provide detailed information and how-to tips that will simplify the installation process. CertainTeed shall not accept any liability or responsibility under its written warranty for failure caused by application that does not meet our minimum requirements for proper installation. These requirements are outlined throughout the *CertainTeed Installation Guide (CTS205)*. Any deviations from these requirements should be approved in writing by CertainTeed Corporation.



Sunbursts are not a product; they are an installation technique you can use to create an outstanding decorative finish at major accent areas such as gable ends or over garage door openings. Creating a decorative sunburst isn't difficult, but it does take patience and attention to detail. If you're ready for a professional challenge, add a sunburst to your next installation.

NOTE: Because each sunburst installation involves unique dimensions and angles, the following instructions outline the basic technique. You must adapt these instructions to your specific installation.

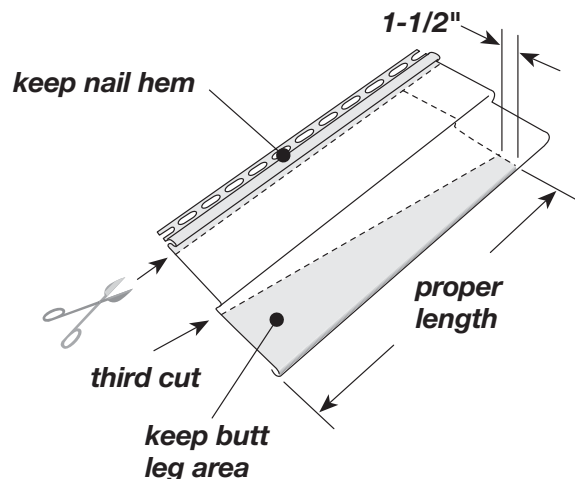
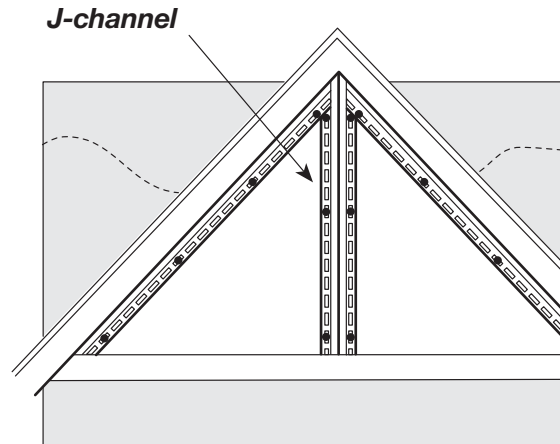
You will need: J-channel, starter strip, coil stock and siding. (When choosing a siding panel, remember that wider panels install more quickly than narrow panels. In addition, panels with decorative profiles—for example, dutchlap—are impractical for sunburst applications. For best appearance and easiest installation, choose from single exposure or larger face double exposure panels.

In addition to standard installation tools, you'll need a nail hole punch and a pop rivet gun.

The following instructions assume an installation at a gable end. Refer to the illustrations for each step.

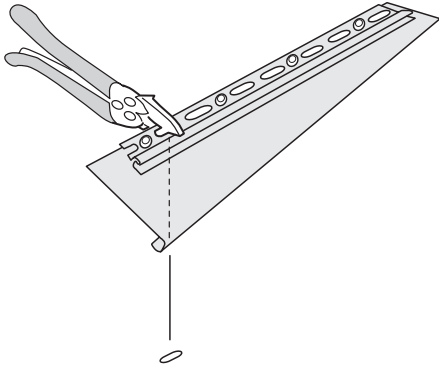
Plumb J-channels back-to-back in the center of the gable.

Cut the nail hem and lock off a siding panel. Put the pieces aside; you'll need them for the final step.

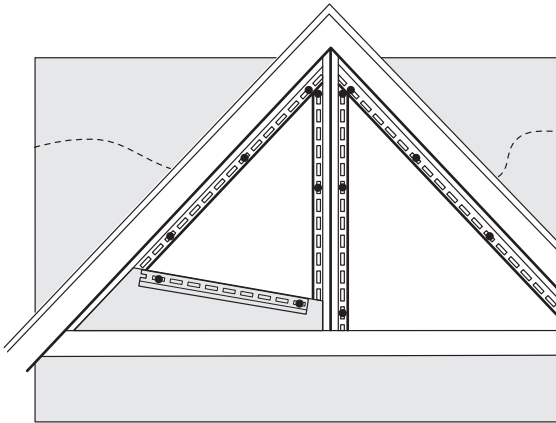


Measure the distance between the J-channel and the rake. Subtract an allowance for expansion. Cut the panel to this length ("proper length" in illustration). Trim the panel at the rake end to match the rake angle.

Cut the panel to the correct taper (third cut). This is a critical step, because the "flaring" of each panel allows you to create the sunburst's arch. To create the taper on a single exposure panel, start at the channel end of the panel. Mark a point 1-1/2" above the bottom butt. Then, on the opposite end, mark a point where the upper edge of the panel meets the rake. (If using double exposure panels, the mark goes under the center butt. On double exposure panels, the upper exposure is removed completely.) Now scribe a line between both points and cut with a utility knife or snips.



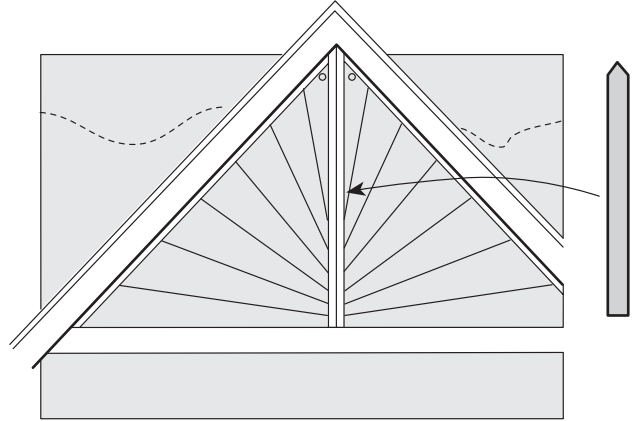
Pop-rivet the nail hem and lock to the trimmed panel. Using the factory nail hem as a guide, punch slots in the panel. Position the panel and nail it.



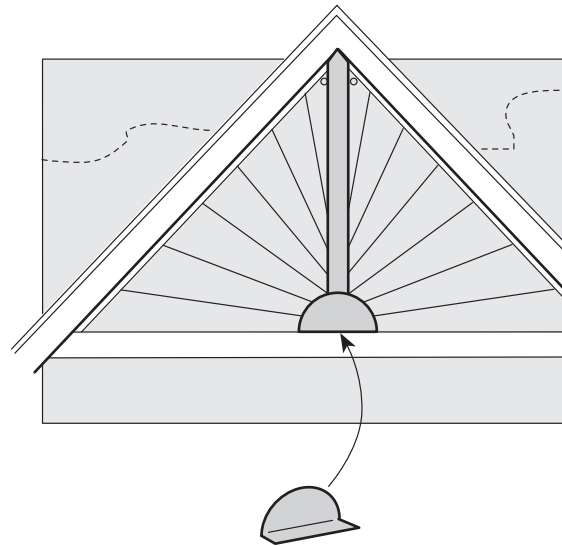
Repeat until both sides of the sunburst are completed.

NOTE: To install the final panels at the top of the sunburst, bow the panels slightly and slip them under the gable end J-channel. For added protection against high wind, you may have to face nail these panels.

Form a sleeve from aluminum coil stock and cover the center J-channels. Secure it with pop rivets.



Cut an arched section from coil stock to form the "sun" portion of the sunburst. Leave a 1" strip below the arch and bend it out at a right angle. Fasten the piece in place using pop rivets.



If you have any questions about installing this product, please call us at 800-233-8990.