

These instructions describe and illustrate the steps involved in installing CertainTeed siding and trim. Their purpose is to provide detailed information and how-to tips that will simplify the installation process. CertainTeed shall not accept any liability or responsibility under its written warranty for failure caused by application that does not meet our minimum requirements for proper installation. These requirements are outlined throughout the *CertainTeed Installation Guide (CTS205)*. Any deviations from these requirements should be approved in writing by CertainTeed Corporation.

The 5" corner cap system has three parts: two J-channels and a corner cap. There are two methods for installing the system: (1) pre-assembly and (2) on-the-house assembly.

Pre-Assembly

Measure and cut all three pieces to the correct length. The correct length is the distance from 1/4" below the soffit to 3/4" below the starter strip.

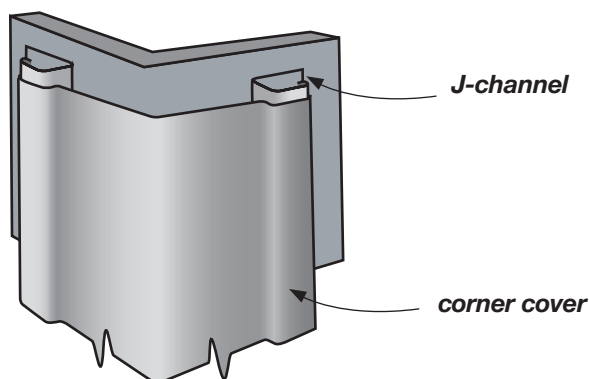
Remove the bottom 3/4" of the nailing flange of the J-channel so it does not show below the siding when installed.

Assemble the corner by snapping the J-channels into the edge of the corner cap.

Working on a flat surface, position the top of the J-channels even with the top of the corner cap and pop rivet them together near the top.

Position a nail at the top of the uppermost nail slot and nail the cornerpost loosely on each side of the corner.

Continue nailing from side to side, positioning the remaining nails in the center of the nail slots. Nail every 8" to 10"; check for square every few feet. Do not nail tight.



On-the-House Assembly

Measure and cut all three pieces to the correct length. The correct length is the distance from 1/4" below the soffit to 3/4" below the starter strip.

Using the table below, measure and chalk a vertical line for each J-channel.

Nail the J-channel to the house.

Snap the 5" corner cap onto the J-channel and pop rivet it to the J-channel near the top.

J-channel	Measurement from Edge of Wall to Top Edge of J-channel
1/2"	4-7/8"
3/4"	4-5/8"
1"	4-3/8"
1-1/4"	4-1/8"

Two-Story Applications

On corners over 10', leave a 1/2" gap between the stacked J-channels. Attach the upper corner assembly first. Notch the upper edge of the lower corner cap by removing 1/2" of the "J" portion of the corner cap. This will allow the lower corner cap to slide under the upper corner cap. Pop rivet the top of the lower corner cap and the bottom of the top corner cap to the J-channel. This will hold the joint tight. Allow for 1/4" at the top and 3/8" at the bottom of the combined corner assembly for expansion.

If you have any questions about installing this product, call us at 800-233-8990.

