

Installation Instructions Trimming Bay Window Corners

These instructions describe and illustrate the steps involved in installing CertainTeed siding and trim. Their purpose is to provide detailed information and how-to tips that will simplify the installation process. CertainTeed shall not accept any liability or responsibility under its written warranty for failure caused by application that does not meet our minimum requirements for proper installation. These requirements are outlined throughout the *CertainTeed Installation Guide (CTS205)*. Any deviations from these requirements should be approved in writing by CertainTeed Corporation.

There are several ways to trim the odd angles of bay windows. Here are two of them:

1. Install bay window cornerpost.
2. Install J-channel with a quarter-round insert.

Before you begin, make sure the corner is properly flashed.

Install Bay Window Cornerpost

- Cut bay window cornerpost to the proper length (figure 1).
- For angles less than 45°, push down on the face of the corner until the nail flanges seat flat against the wall surfaces (figure 2).
- Hang the cornerpost by nailing loosely into the topmost nail slot.

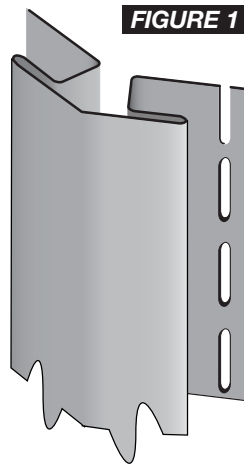


FIGURE 1

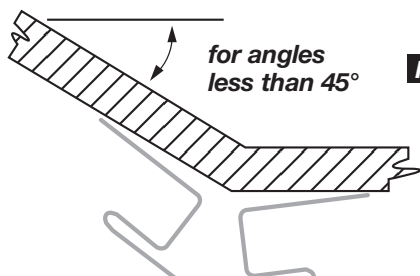


FIGURE 2

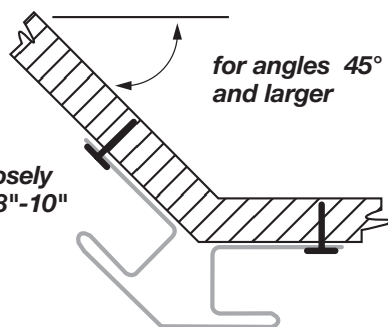


FIGURE 3

- Make sure the cornerpost is straight and true.
- Position all remaining nails in the center of nail slots a maximum of every 8" to 10" (figure 3). Leave 1/8" to 1/16" between the nail head and the cornerpost to allow the cornerpost to move during normal expansion and contraction.
- Fit the siding into the cornerpost. Leave 1/4" for expansion.

Install J-Channel with Quarter-Round Insert

- Cut two pieces of J-channel and one piece of quarter-round insert to length (figure 4).
- Pop rivet the J-channels to each side of the quarter-round insert in at least three places (figure 5).
- Nail the assembly to the corner, remembering to hang the assembly from the topmost full nail slot (figure 6).

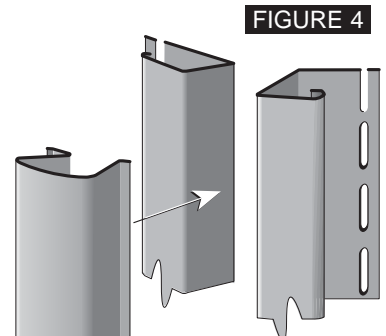


FIGURE 4



FIGURE 5

pop rivets

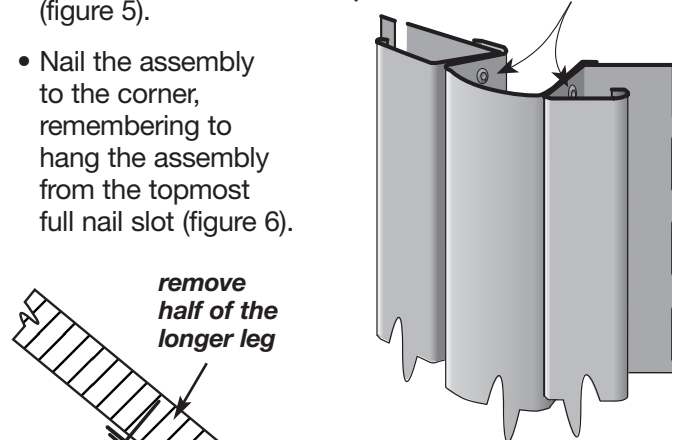


FIGURE 6

- Position all remaining nails in the center of nail slots a maximum of every 8" to 10". Leave 1/8" to 1/16" between the nail head and the J-channel for normal expansion and contraction.
- Fit the siding into the J-channels. Leave 1/4" for expansion.

If you have any questions about this product installation, please call us at 800-233-8990.