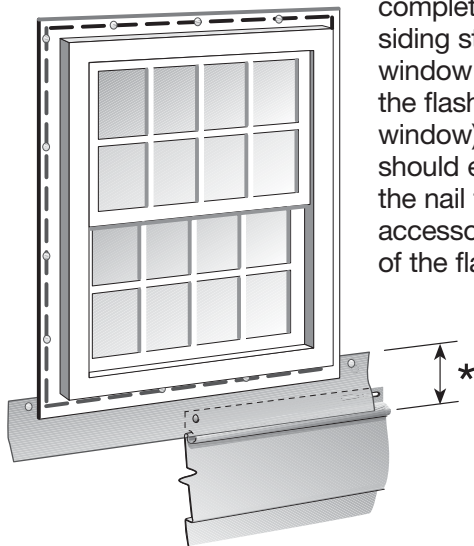


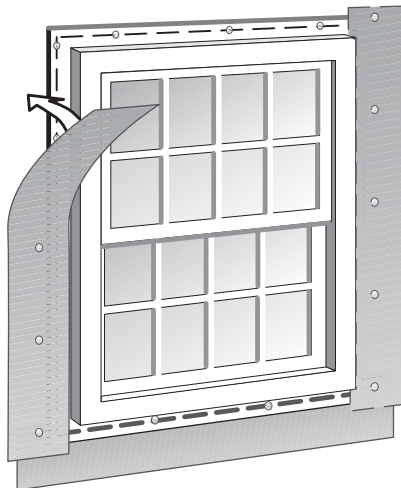
These instructions describe and illustrate the steps involved in installing CertainTeed siding and trim. Their purpose is to provide detailed information and how-to tips that will simplify the installation process. CertainTeed shall not accept any liability or responsibility under its written warranty for failure caused by application that does not meet our minimum requirements for proper installation. These requirements are outlined throughout the *CertainTeed Installation Guide (CTS205)*. Any deviations from these requirements should be approved in writing by CertainTeed Corporation.

The width of all flashings is determined by the type of accessory surrounding the window and where the final complete course of siding stops below the window (in the case of the flashing under the window). The flashing should extend past the nail flanges of the accessory. The width of the flashing under the window must allow for the diversion of water.

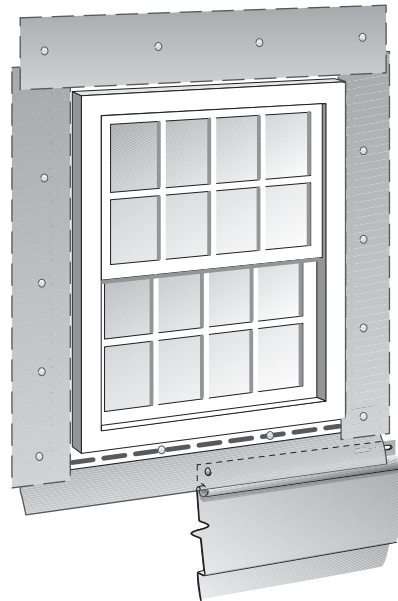


*see NOTE to the right

Apply the vertical flashings by overlapping the previously secured bottom flashing. As noted above, the length and width of the flashings will be determined by the type of accessories used.

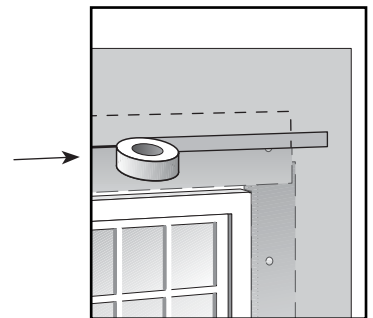


Secure top flashing.



NOTE: *The flashing is long enough to direct water over the nail flange of the last course of complete siding panels.*

For even greater protection, make a slit in the building wrap and insert the top flashing behind it. Tape the seam as shown.



If you have any questions about installing this product, please call us at 800-233-8990.