

Installation Instructions Furring Strips

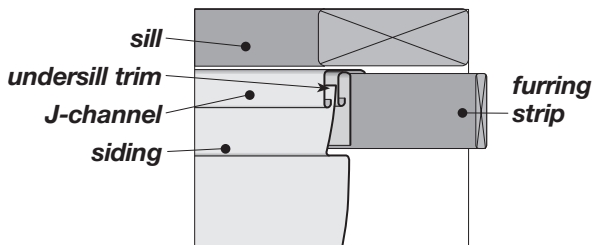
These instructions describe and illustrate the steps involved in installing CertainTeed siding and trim. Their purpose is to provide detailed information and how-to tips that will simplify the installation process. CertainTeed shall not accept any liability or responsibility under its written warranty for failure caused by application that does not meet our minimum requirements for proper installation. These requirements are outlined throughout the *CertainTeed Installation Guide (CTS205)*. Any deviations from these requirements should be approved in writing by CertainTeed Corporation.

Occasionally, you may have to provide an even surface before you can apply new siding over old siding. In that case, install vertical furring strips to the old siding, and then nail rigid sheathing to the furring strips. You can then install the new siding over this smooth substrate.

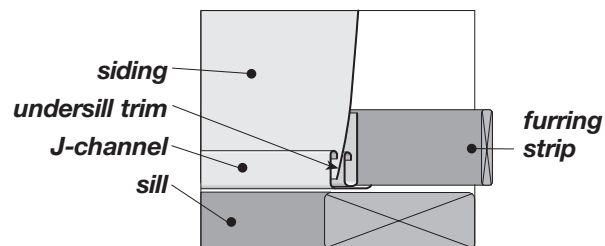
If you are working on an older home with noticeably uneven walls, you must correct this condition before proceeding. If not corrected during preparation, this uneven surface will produce a wavy appearance in siding applied over it.

For best results, nail vertical furring strips 12" on center. Do not exceed 16".

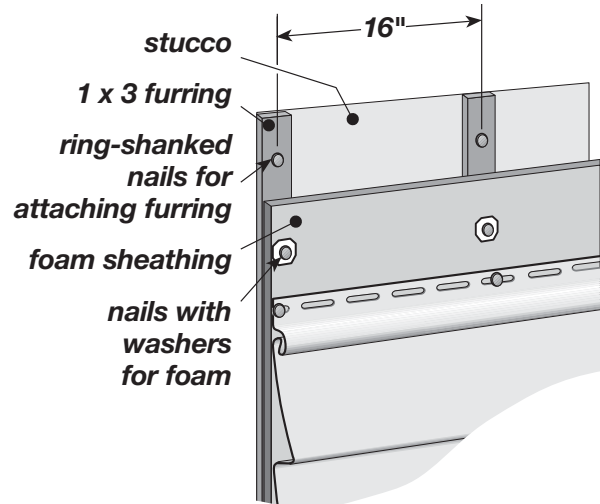
When covering over masonry or bricks, it's better to use 1"x 3" furring. For best thermal performance, install a minimum of 1/4" foam over furring strips.



Furring and/or foam is also used below eaves and windowsills to maintain correct slope angles when siding panels must be cut to a narrower dimension to fit.



Similarly, when panels are cut to fit over doors or windows, furring and/or foam is used to establish the correct slope angle.



Applying over stucco

When applying vinyl siding over stucco, you first have to be sure you're working on an even surface. To create that surface, you may have to knock down high spots where furring strips will be applied. Use caution when chipping off these spots – you don't want to crack or damage the remaining stucco.

Apply 1" x 3" furring to the stucco, using ring-shanked nails or screws. Stucco will not hold fasteners tightly, so be sure nails or screws are anchored securely to studs. Furring strips should be spaced 16" on center. For best thermal performance, install a minimum of 1/4" foam over furring strips.

If you have any questions regarding these installation instructions, please call us at 1-800-233-8990.