

These instructions describe and illustrate the steps involved in installing CertainTeed siding and trim. Their purpose is to provide detailed information and how-to tips that will simplify the installation process. CertainTeed shall not accept any liability or responsibility under its written warranty for failure caused by application that does not meet our minimum requirements for proper installation. These requirements are outlined throughout the *CertainTeed Installation Guide (CTS205)*. Any deviations from these requirements should be approved in writing by CertainTeed Corporation.

New Construction

Make sure all studs are straight and true. Correct any bowed studs.

Vinyl siding must be applied over a rigid sheathing that provides a smooth, flat surface or an underlayment (such as wood, wood composition, rigid foam or fiber sheathing) that is no more than 1" thick. Vinyl siding cannot be applied directly to studs.

Make sure sheathing is fastened securely to studs.

If you're planning to use a conventional house wrap or building felt, apply it according to the manufacturer's recommendations. In all cases, however, install the products so they are secured firmly to the substrate so that they provide a smooth, even surface for the final siding installation.

Before applying siding, make certain the substrate is **watertight**. In order to be properly protected from precipitation, the substrate may need to be properly flashed around areas such as windows, doors, other openings and corners so as to shed water to the exterior.

Drop-in Foam Backer Boards

Some drop-in foam backers can restrict the movement of vinyl siding. Therefore, CertainTeed vinyl siding may not be applied over any drop-in foam backer other than a contoured drop-in foam backer designed specifically for each profile. Contoured drop-in foam backer boards are not a substitute for rigid foam sheathing.

Home Improvement Projects

You can prepare an existing current siding surface to receive vinyl siding in one of three ways:

Strip off the old siding and level the wall. If felt paper covers the wall, you have two alternatives: either strip it off completely or staple or nail it to create a smooth surface. If there is no solid sheathing under the old siding, you must apply it as described in the instructions for New Construction.

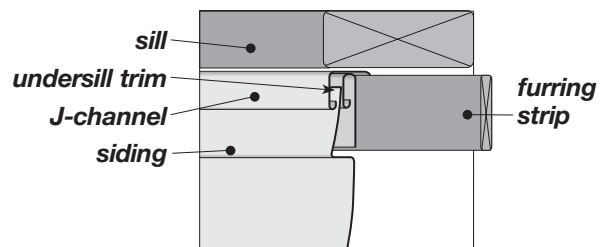
Apply rigid sheathing to existing siding to provide a smooth surface. Nail it securely to the old siding. Nail it evenly to bridge low spots.

Apply vertical furring to old siding to straighten noticeable surface unevenness. Then apply rigid sheathing, following the instructions presented under New Construction.

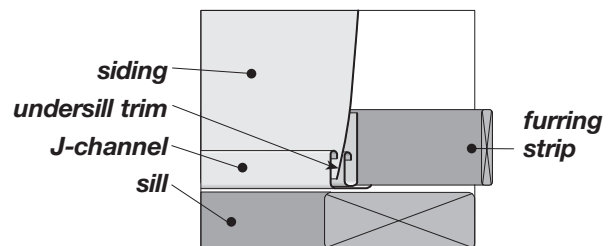
If you are working on an older home with noticeably uneven walls, you must correct this condition before proceeding. If not corrected during preparation, this uneven surface will produce a wavy appearance in siding applied over it.

For best results, space furring strips 12" on center. Do not exceed 16".

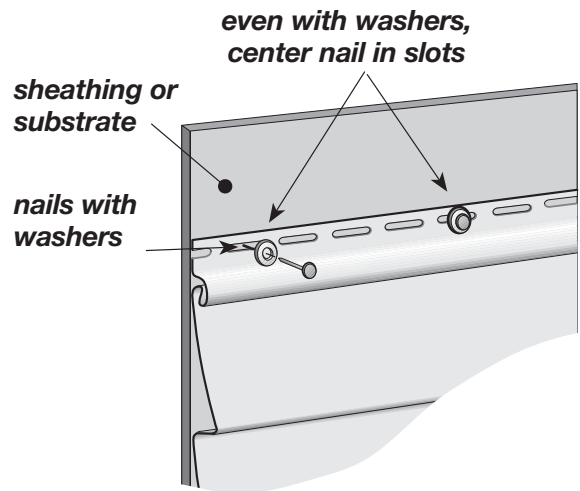
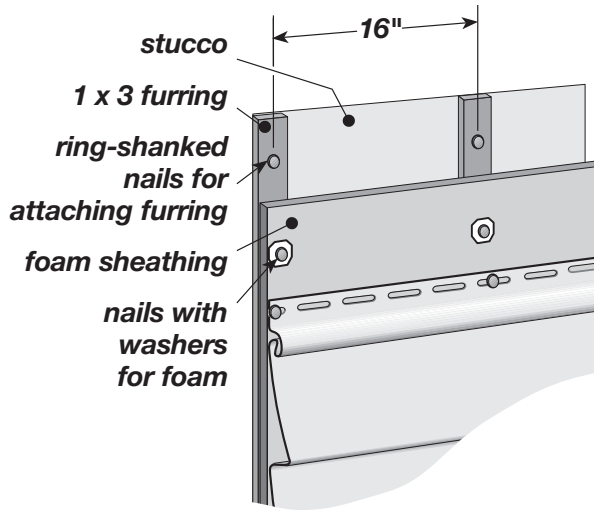
When covering over masonry or bricks, it's better to use 1"x 3" furring. For best thermal performance, install a minimum of 1/4" foam over furring strips.



Furring and/or foam is also used below eaves and windowsills to maintain correct slope angles when siding panels must be cut to a narrower dimension to fit.



Similarly, when panels are cut to fit over doors or windows, furring and/or foam is used to establish the correct slope angle.



Applying over stucco

When applying vinyl siding over stucco, you first have to be sure you're working on an even surface. To create that surface, you may have to knock down high spots where furring strips will be applied. Use caution when chipping off these spots – you don't want to crack or damage the remaining stucco.

Apply 1" x 3" furring to the stucco, using ring-shanked nails or screws. Stucco will not hold fasteners tightly, so be sure nails or screws are anchored securely to studs. Furring strips should be spaced 16" on center. For best thermal performance, install a minimum of 1/4" foam over furring strips.

Applying over steel studs

The application of vinyl siding, soffits and accessories over steel stud framing rather than typical wood framing is straightforward. The main difference is the use of screws to hang components that make up a completed siding job.

Follow the same guidelines as in a wood surface – except for the type of fasteners used. Wall sheathing must be installed over the studs. This will provide a straighter, smoother and more rigid wall surface and help prevent studs from twisting. Siding must be secured into metal studs if the substrate is not a nailable surface such as exterior dry wall, gypsum board, etc.

Use noncorrosive, self-tapping screws at least 1-1/8" (29 mm) long, with at least 3/8" (9.5 mm) diameter head and 1/8" (3 mm) diameter shaft.

Although the fastening method for steel studs differs from wood construction, all other procedures still apply, including fastening in the center of the nail slot and not overtightening the fasteners.

Application for high wind areas

Using a 5/8" (0.071" thick) nylon washer with a 1/4" hole between the nail and the siding increases the wind load capabilities of the installation.

If you have any questions regarding these installation instructions, please call us at 1-800-233-8990.