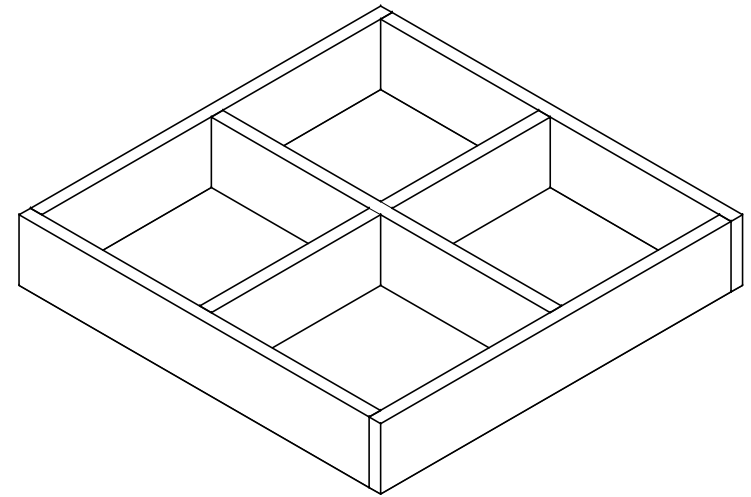
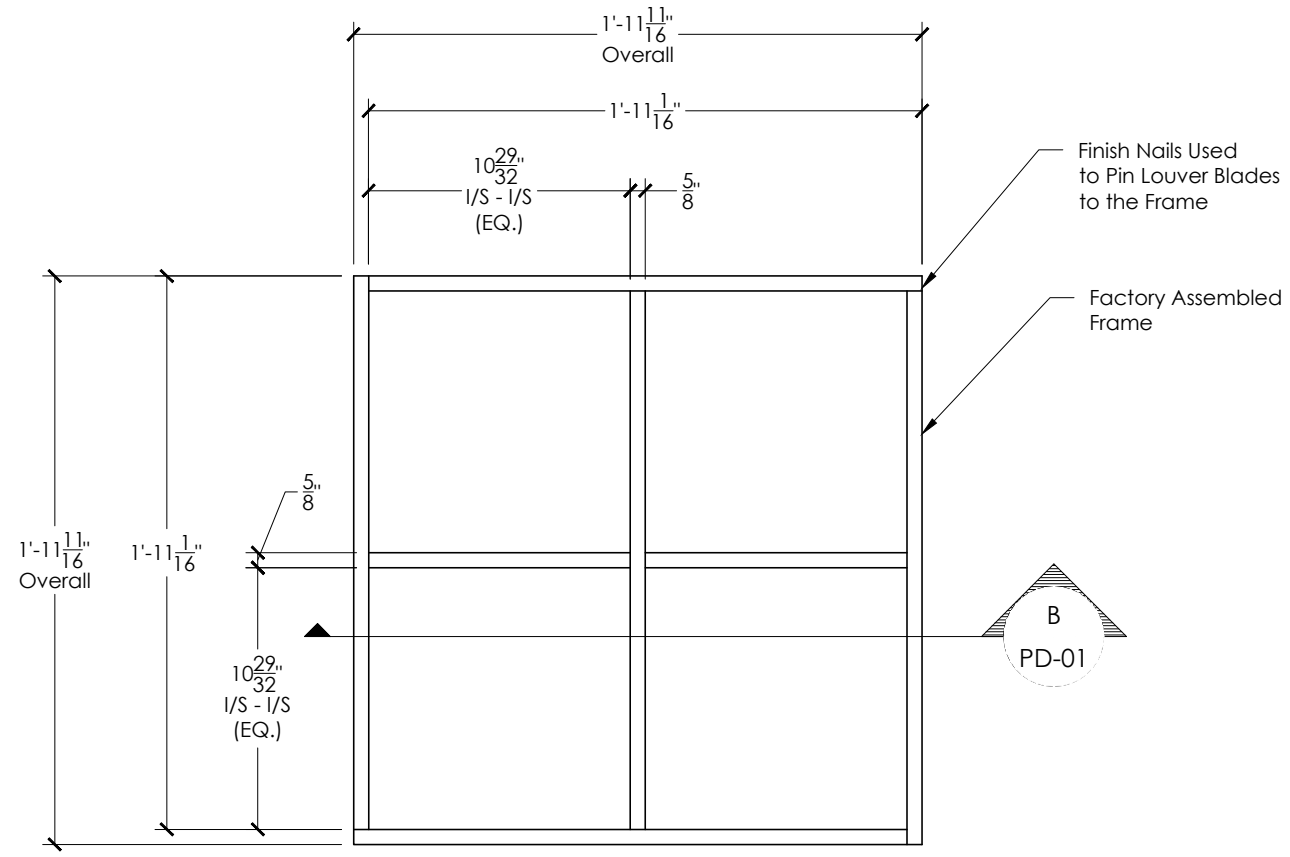


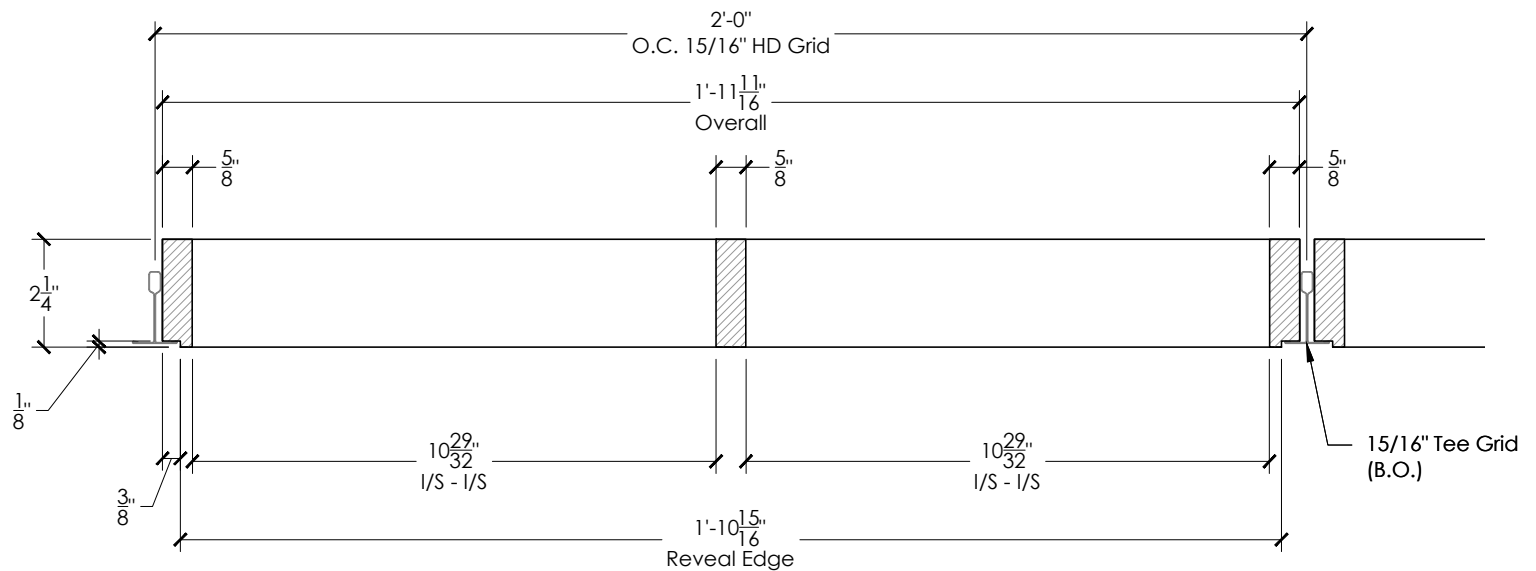
DATE	REVISIONS	#



A 2005 OF Plan View
PD-01 Scale: 1 1/2" = 1'-0"

C 2005 OF Isometric Product Diagram View
PD-01 N.T.S.

Grain Direction



Type: Open Cell Four Squares
Module: Nominal 24" x 24", 2 1/4" Depth
Core: (5/8" or 3/4") MDF, Particle Board, or Solid Species
Veneer/Stain: Veneer Species or Solid Stain
Finish: Clear Topcoat, 20% sheen
Rating: Class A per ASTM E84 (MDF & PB), Class C (Solid)
Mounting: Flush Reveal Installation in CertainTeed 15/16" HD Grid

B 2005 OF Section View
PD-01 Scale: 3" = 1'-0"

These drawings show typical conditions for installing the CertainTeed Ceilings product shown. They should not be construed as a substitute for an architectural or engineering design and do not reflect the unique requirements of local codes, laws, statutes or regulations that may be applicable for a specific installation. CertainTeed Ceilings assumes no liability for the accuracy or completeness of the drawings for a specific installation or the fitness of the drawings for a particular purpose. The user is advised to consult with local licenced design professionals in order to assure compliance with all legal requirements. CertainTeed Ceilings is not licenced to provide professional engineering or architectural services.


Open Cell - Vertically oriented blades running in two directions creating cells.	
Blade Length: $\pm 0.062''$ (1/16")	Blade Width/Height: $\pm 0.062''$ (1/16")
Blade Crook, in 24"	$\pm 0.031''$ (1/32")
Blade-to-Blade Levelness	$\pm 0.031''$ (1/32")
Assembled Joint Tightness	$\pm 0.031''$ (1/32")
Blade-End Alignment	$\pm 0.062''$ (1/16")
Panel-to-Panel elevation (C)	$\pm 0.062''$ (1/16")
(C)= Continuous open cell system	

NOTES:


- Dimensions are to be field verified prior to fabrication. Changes in dimensions may result in quantity adjustments.
- Closet stock and spares are not included and must be added to quantity shown if needed.

Notes:

- All dimensions are shown for reference and will have to be modified for field installation.
- Fixtures to be hung independently from ceiling support system. Fixtures may include but are not limited to - light fixtures, HVAC diffusers, sprinkler heads and/or piping, speakers, security cameras, components, etc.
- Utilize the use of cut-offs where appropriate - product quantities based on partial products being used.
- Follow manufacturer load requirements and installation specifications based on weights and dimensions of product being installed.
- Our wood ceiling reflected plans will include penetrations of limited light fixtures and HVAC registers only when the size of the wood is impacted. Other penetrations, including but not limited to sprinklers, security cameras audio-visual, etc.. will not be included in our drawing set due to the fact that we will not claim understanding and liability of placement or code requirement.
- Ceiling fixtures shown for reference only - lights and mechanical elements by others.
- See Product Detail Sheets for edge condition details.
- All products should be reviewed before installation to avoid undesirable visual pattern because of natural color and grain variations.
- All product field cut must be sealed with a clear sealer or stained then sealed.
- CertainTeed 15/16" & 9/16"HD T-Bar sold separately visit www.certainteed.com/suspension-systems/ for more information and purchasing options.



Certainteed Ceiling Corporation
20 Moores Road
Malvern, PA 19355
800-233-8990



The mark of responsible forestry
FSC® C151918

Certificate Code:
SCS-COC-006960

Only the products that are identified as such on this document are FSC® certified

ARCHITECT

CUSTOMER

REPRESENTATIVE

DATE									
REVISIONS									
#									

PROJECT TITLE

PROJECT LOCATION

SHEET REFERENCE

PRODUCT

SHEET TITLE
PRODUCT TOLERANCES &
PRODUCT NOTES

DATE	DRWN	CHECK
3/25/20	J.A.	D.T.

SHEET NO.

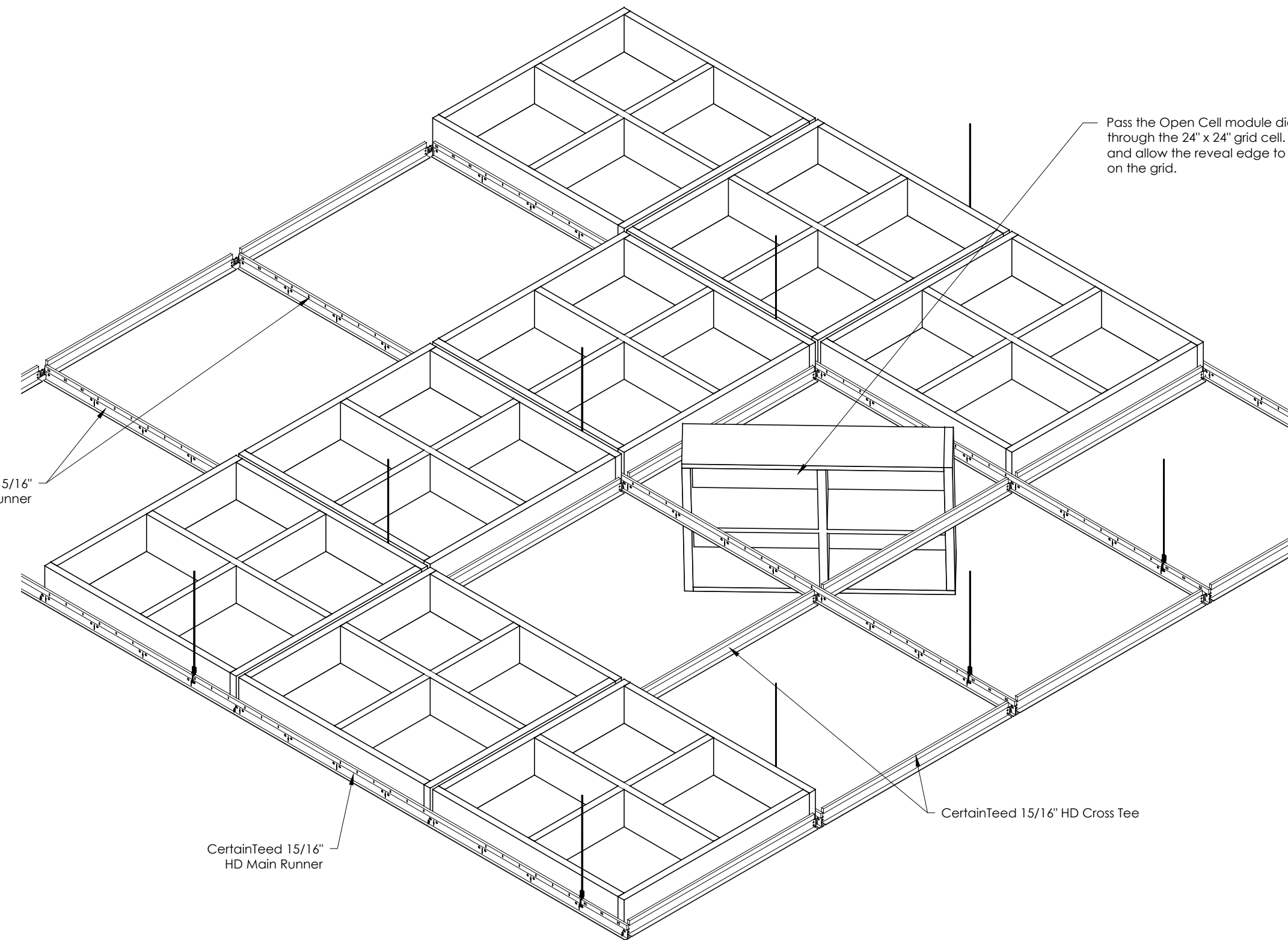
PD-09

CertainTeed 15/16"
HD Main Runner

CertainTeed 15/16"
HD Main Runner

CertainTeed 15/16" HD Cross Tee

Pass the Open Cell module diagonally through the 24" x 24" grid cell. Rotate, and allow the reveal edge to rest on the grid.



A 2005 OF Isometric Installation Diagram View
PD-10

Scale: N.T.S.

CertainTeed
SAINT-GOBAIN

CertainTeed Ceiling Corporation
20 Moores Road
Malvern, PA 19355
800-233-8990



The mark of
responsible forestry
FSC® C151918

Certificate Code:
SCS-COC-006960

Only the products that are identified as such on this document are FSC® certified

ARCHITECT

CUSTOMER

REPRESENTATIVE

DATE	REVISIONS	#

PROJECT TITLE

PROJECT LOCATION

SHEET REFERENCE

PRODUCT

SHEET TITLE
INSTALLATION
Open Cell Four Square

DATE	DRWN	CHECK
3/25/20	J.A.	D.T.

SHEET NO.

PD-10