

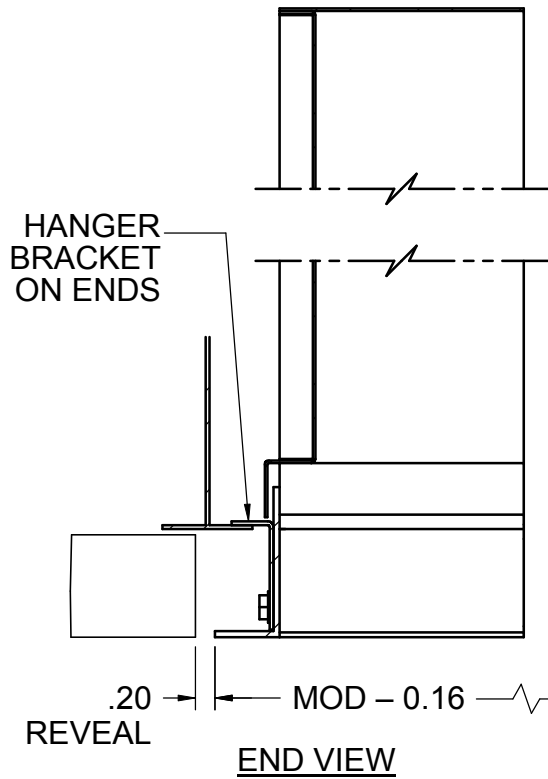
TECHSTYLE PLENUM ASSY

319837-XX-X-XX

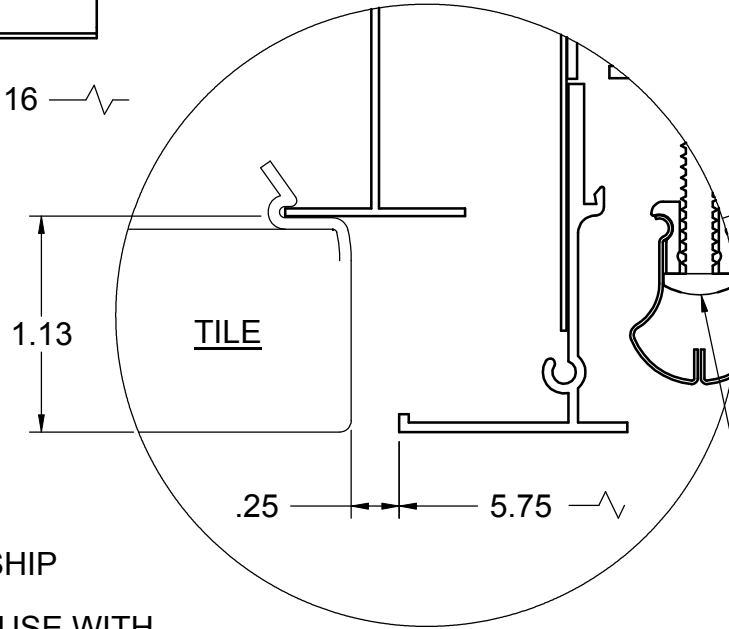
NOM LENGTH	SLOTS	INLET*
-24- 24"	-2- 2 SLOTS	-00- NONE
-30- 30"	-3- 3 SLOTS	-06- 6"
-36- 36"		-08- 8"
-48- 48"		-10- 10"
-60- 60"		-12- 12"
-72- 72"		

*SEE NOTE 2

2.75 (2 SLOT)
4.06 (3 SLOT)



END VIEW



TILE

SCREWS ENGAGE MOUNTING BRACKETS ON INSIDE OF PLENUM

SPECIAL TIGHT FITTING PLENUM WITH INTEGRATED MOUNTING BRACKET

CROSS SECTION

11.15 APPROX

.75 TYP

TECHSTYLE ML ASSY

319843-XX XX

NOM LENGTH	SLOTS
-24- 24"	02 2 SLOTS
-30- 30"	03 3 SLOTS
-36- 36"	
-48- 48"	
-60- 60"	
-72- 72"	

- NOTES:
1. DIFFUSER & PLENUM SHIP UNASSEMBLED
 - *2. MAX TEE HEIGHT FOR USE WITH 12" INLET: 1.5"

Air System Components					F.O. NO.	MATERIAL	DIMENSIONS ARE IN INCHES TOLERANCES:	DRWN	DATE	TITLE	
PROPRIETARY AND CONFIDENTIAL							ANGULAR: MACH ± 1°	JMK	04/10	ML-TZ TECHSTYLE MOUNTING	
THE INFORMATION CONTAINED IN THIS DRAWING IS THE SOLE PROPERTY OF AIR SYSTEM COMPONENTS. ANY REPRODUCTION IN PART OR AS A WHOLE WITHOUT THE WRITTEN PERMISSION OF AIR SYSTEM COMPONENTS IS PROHIBITED.						BLANKSIZE	BEND ± 2°	CHKD			
A	T07980	JMK	04/10	MJC	TECHSTYLE	FINISH	TWO PLACE DECIMAL ± .03 THREE PLACE DECIMAL ± .015 REMOVE ALL BURRS AND SHARP EDGES	APVD	MJC		04/10
REV	ECO NUMBER	BY	DATE	APPVD	NEXT ASSY	USED ON APPLICATION	DO NOT SCALE DRAWING	DIMENSIONS IN PARENTHESIS ARE FOR REFERENCE ONLY		DWG. NO. 319836	SHEET 1 OF 1