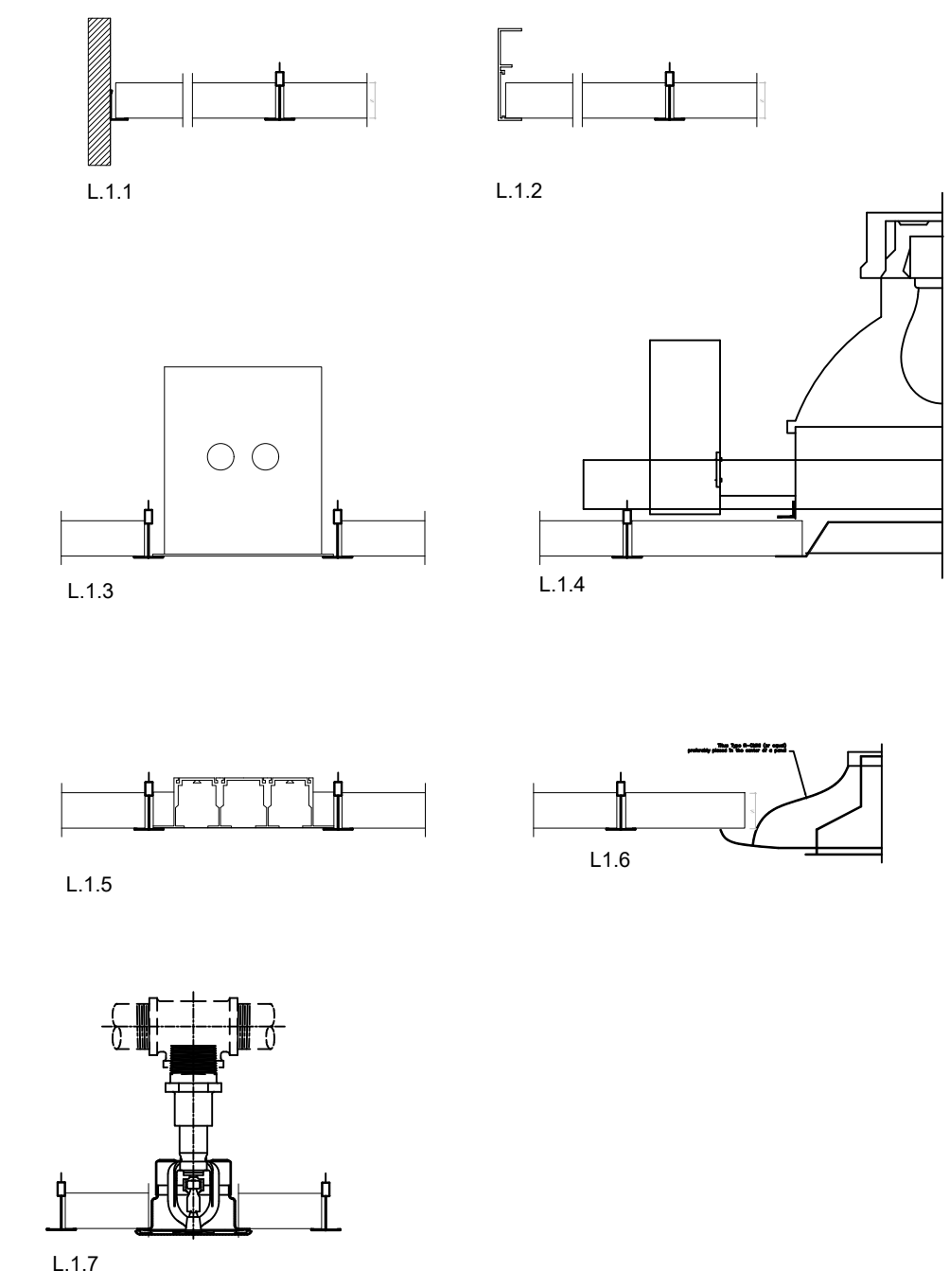
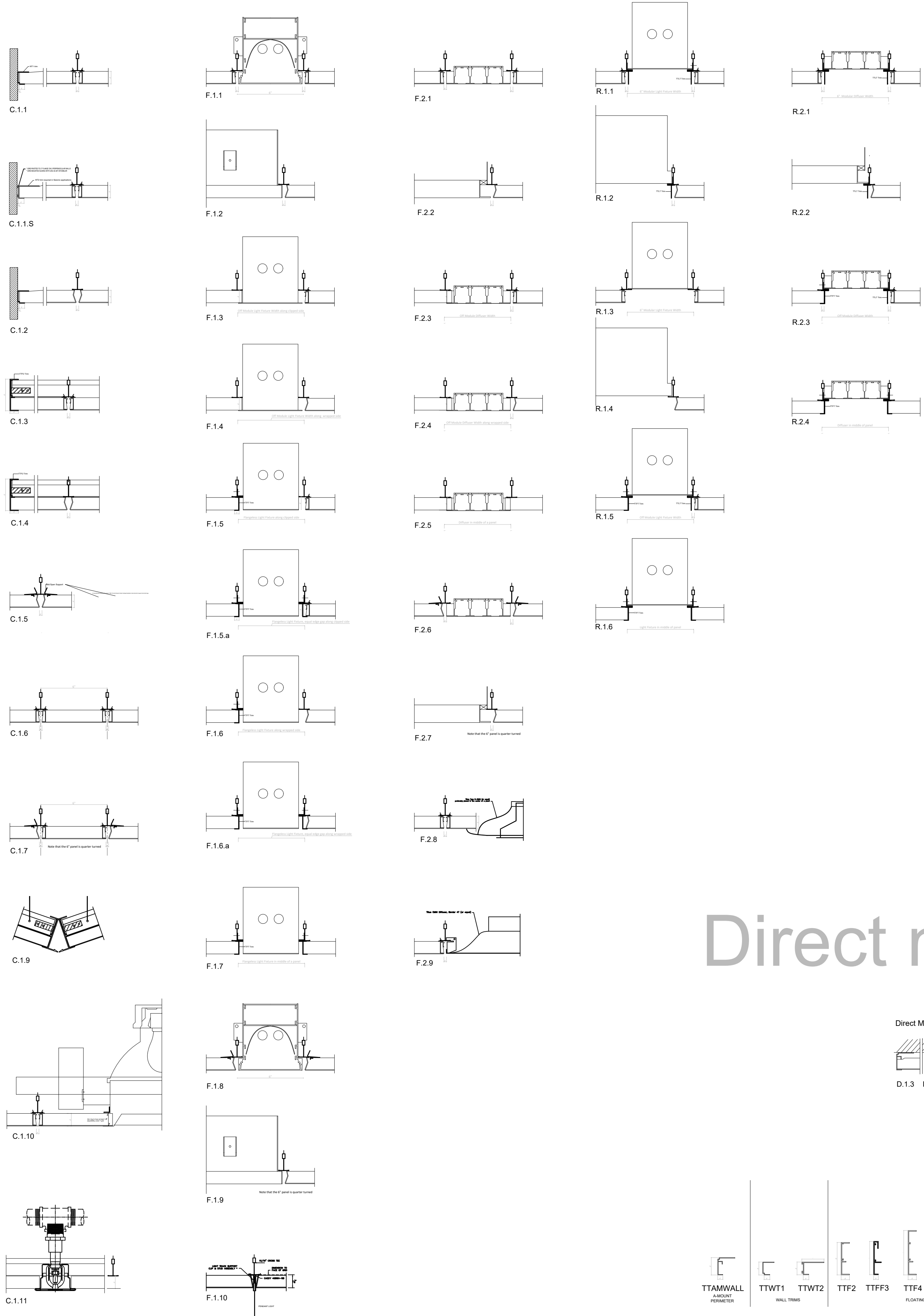
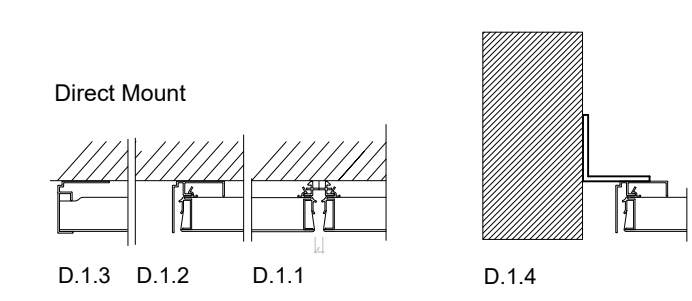


# Swing Down

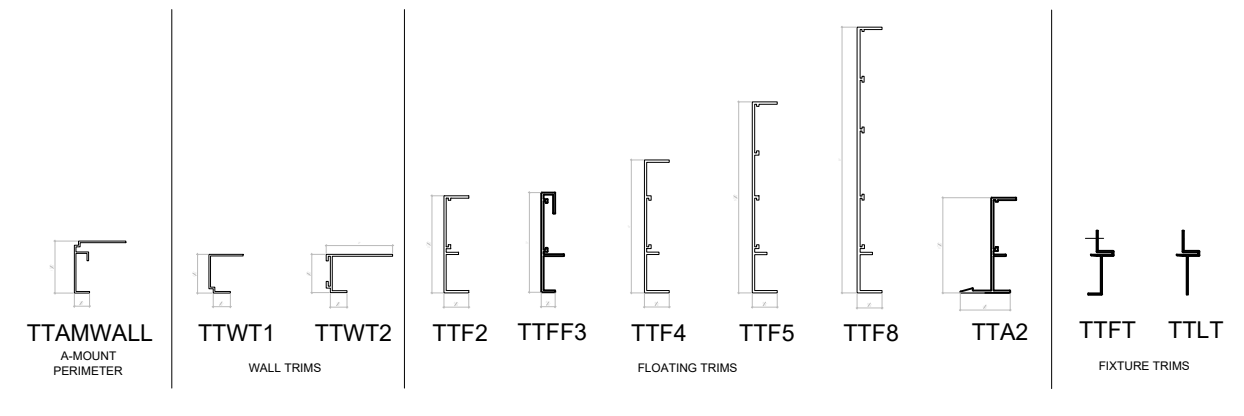
# Lay-in



# Direct mount



# Trims



11500 East 53rd Avenue  
Suite D  
Denver, CO 80239  
Ph 800-727-8953  
Fax 720-872-7850

www.CTSpecialtyCeilings.com

**ECHOLON™**  
FRAME AND PANEL SYSTEM

**Techstyle®**  
ACOUSTICAL CEILINGS

**GENERAL NOTES**

- Ceiling installation to be in accordance with ASTM C636 & ASTM E580, and local code requirements for seismic bracing.
- The purpose of these drawings is to represent installation of Hunter Douglas Ceiling & Wall Products Exclusively from CertainTeed Inc. products ONLY. All dimensions are to be field verified and approved by the contractor prior to fabrication.
- Return approved shop drawings to Hunter Douglas to release for fabrication.
- All quantities are to be reviewed and approved by the customer prior to fabrication.
- This material list is an ESTIMATE ONLY. The customer is responsible for reviewing and verifying ALL information listed above prior to ordering material. Excess material will not be accepted for returns or credit. If additional material is necessary, set-up charges may apply.
- Unless shown otherwise, all penetrations including light fixtures, diffusers, speakers, sprinkler heads, etc., are to be field located and field cut. Hunter Douglas Ceiling & Wall Products Exclusively from CertainTeed Inc. will not be responsible for final location and placement of penetrations. Typically, penetrations are not dimensioned or located on Hunter Douglas Ceiling & Wall Products Exclusively from CertainTeed Inc. shop drawings unless the holes are factory cut. All "fixtures" are to be independently supported. Trim for all penetrations are by others. Any fixture or other penetration shown is solely based on information provided to Hunter Douglas.
- Architect / General Contractor: Please reference appropriate contract documents for coordination with other trades.
- If there are any questions in relation to Hunter Douglas Ceiling & Wall Products Exclusively from CertainTeed Inc. products on this project, please contact us at 866.556.1235 (8:00am - 5:00pm MST Monday-Friday).

**All rights reserved.**  
This drawing is the property of Hunter Douglas Ceiling & Wall Products Exclusively from CertainTeed Inc. .  
It may not be copied or multiplied, neither wholly nor partly.  
It may not be submitted for perusal to third parties.

REVISIONS:	DATE	BY
1.		

DRAWN BY: Hunter Douglas Ceiling & Wall Products Exclusively from CertainTeed Inc.  
CHECKED BY: Hunter Douglas Ceiling & Wall Products Exclusively from CertainTeed Inc.  
DATE: PAGE SIZE: 24x36

**PROJECT: All Standard Details for Techstyle**

**CUSTOMER:**

**PAGE TITLE:**

**DRAWING NUMBER:**

**SHEET:**

**SCALE: various**