

Techstyle® Wood panels apply sophisticated hardwood and exotic surface patterns to a flat, feather-weight honeycomb core.

Project: Muskego Lakes Middle School, Muskego, WI; Techstyle® Wood – Odenwald Walnut – Natural Photo credit: Bill Fritsch

KEY FEATURES

- Proprietary formaldehyde-free fiberglass composite construction
- Monolithic appearance - large format panels, semi-concealed suspension, nominal 1/4" reveals
- Convenient swing-down access to the plenum
- Trims are engineered for fast installation of Techstyle®
- Lighting and diffuser integration
- Enhanced soiling resistance and clean-ability
- Class A Fire Rating, per ASTM E84
- GREENGUARD Gold Certified

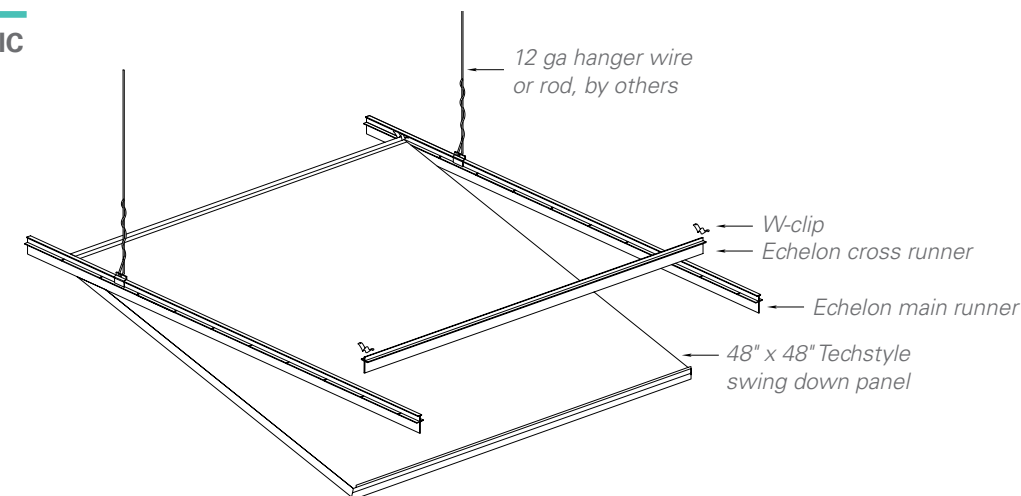
PHYSICAL DATA

Surface Finish: Non-woven
Light Reflectance: 81% (LR1) ASTM E1477
Surface Burning: Class A (ASTM E84)
 - Flame Spread Index ≤ 25
 - Smoke Index ≤ 50
Acoustical Ratings – NRC: 0.85 (ASTM C 423)
Acoustical Ratings – CAC: 17 w/no backer, (ASTM E1414)
Moisture Resistance: Resistant to 95% humidity in 104° temperature
Fungal Resistance: Resistant (ASTM C1338)
Weight: 0.30 lbs. per sq. ft.
Warranty: 10 year limited
ICC: Approval (ESR-2123)

BIM
 REVIT files available for BIM contributions, see website for details.

TYPICAL ISOMETRIC

Echelon™ grid system with swing down panels

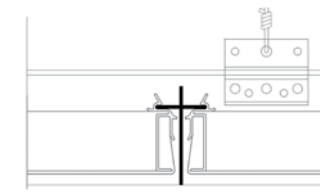


SUSPENSION SYSTEMS

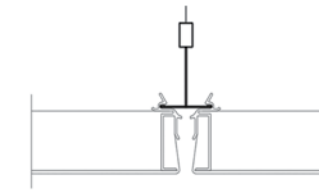
Echelon: CertainTeed grid system
 Compatible with swing down and lay-in panels

Swing Down Panels
 15/16" T-Grid

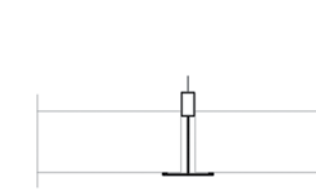
Lay-in Panels
 15/16" T-Grid or 9/16" T-Grid



ECHELON™



SWING DOWN



LAY-IN

PANEL SIZES

Additional sizes available, consult manufacturer.

SWING-DOWN

Width x Length

24" x 6"	24" x 24"	24" x 42"	24" x 48"	24" x 54"	24" x 60"
24" x 66"	24" x 72"	24" x 78"	24" x 84"	24" x 90"	24" x 96"
30" x 6"	30" x 30"	30" x 60"	30" x 72"	30" x 96"	
48" x 6"	48" x 24"	48" x 42"	48" x 48"	48" x 54"	48" x 60"
48" x 66"	48" x 72"				

LAY-IN

Width x Length

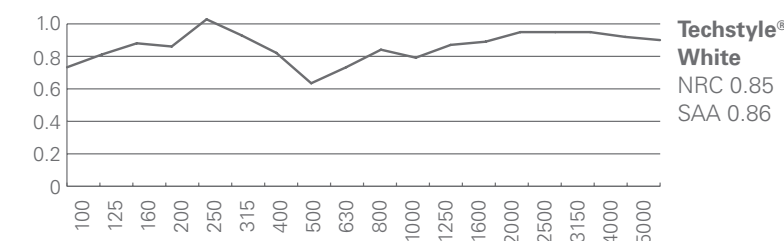
24" x 6"	24" x 24"	24" x 42"	24" x 48"	24" x 54"	24" x 60"	24" x 66"
24" x 72"	24" x 78"	24" x 84"	24" x 90"	24" x 96"	24" x 120"	
30" x 6"	30" x 30"	30" x 60"	30" x 72"	30" x 96"		
48" x 6"	48" x 24"	48" x 42"	48" x 48"	48" x 54"	48" x 60"	48" x 66"
48" x 72"	48" x 96"					

TYPICAL SECTION – TRIMS

See Resource section for available trim options.

ACOUSTICS

Techstyle®'s honeycomb design absorbs both high and low frequencies at an impressive level, providing superior acoustical performance, no matter the frequency. NRC 0.85 (ASTM C 423) SAA 0.86 (ASTM C 423).



LEED V4 CREDITS

- EA: Optimize Energy Performance
- MR: Building Product Disclosure
- EQ: Low-Emitting Materials
- EQ: Indoor Air Quality Assessment
- EQ: Daylight
- EQ: Acoustic Performance

CERTIFICATIONS
 GREENGUARD Gold Certified

TECHSTYLE® CEILINGS

TECHSTYLE® WOOD

WOODS

Wood finishes are available as shown below; custom finishes are also available. Minimum quantities may apply. Colors are for illustrative purposes only.

AMBER OAK



AMERICAN CHERRY



FAUX BOIS



HARD ROCK MAPLE



HUDSON PINE



MONTREUX OAK



OAKWOOD



ODENWALD WALNUT



OLMO RIGATO



WOODROW



Project: Anderson United Community School, Minneapolis, MN; Techstyle® Wood – Hard Rock Maple Photo credit: Mitchell Stier