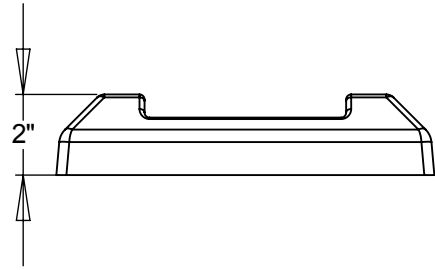
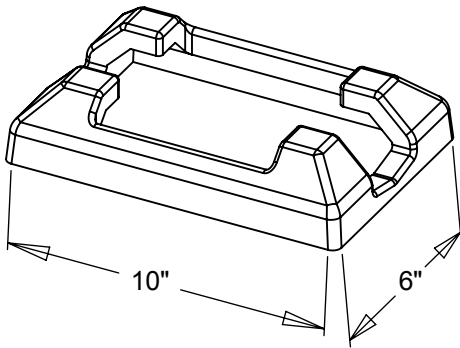
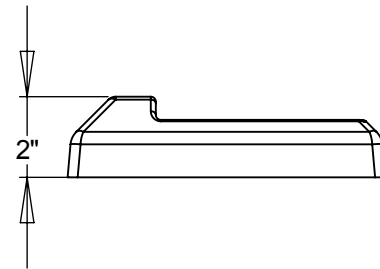
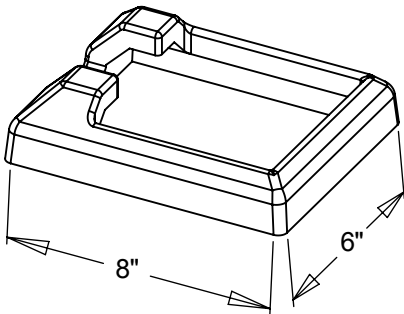


Ground Mount Skirts Specifications

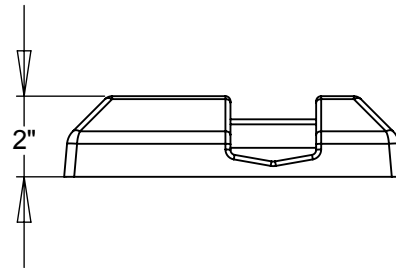
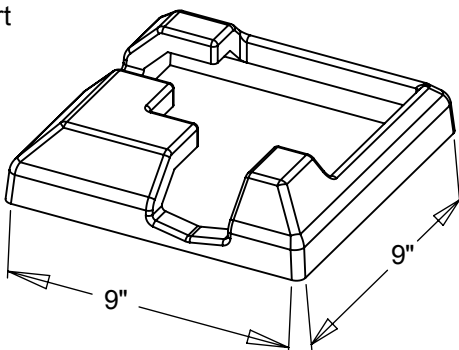
Line Skirt




End Skirt



Corner Skirt



<p>Skirts</p>	<p>This drawing may not be altered or reproduced without the permission of SimTek™ Fence</p>		 <p>SimTek™ FENCE</p> <p>www.simtekfence.com</p>
<p>Date: January 3, 2011</p>	<p>Scale: not to scale</p>	<p>REV: GF</p>	
<p>Sheet 1 of 1</p>	<p>U.S. Patents: 7,478,797 / 7,635,114 Foreign Patents Pending</p>		