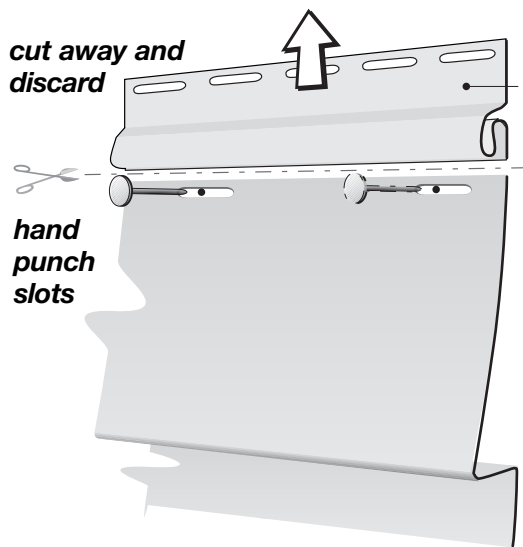


## Installation Instructions Cedar Impressions® Half-Round Shingles over Siding

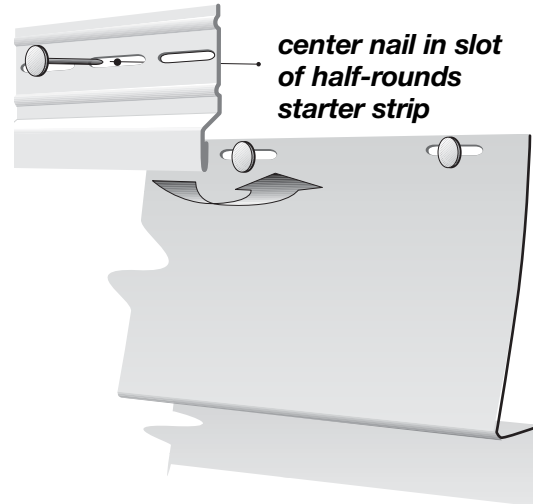
These instructions describe and illustrate the steps involved in installing CertainTeed siding and trim. Their purpose is to provide detailed information and how-to tips that will simplify the installation process. CertainTeed shall not accept any liability or responsibility under its written warranty for failure caused by application that does not meet our minimum requirements for proper installation. These requirements are outlined throughout the *CertainTeed Installation Guide (CTS205)*. Any deviations from these requirements should be approved in writing by CertainTeed Corporation.

Cut away the nail flange and discard it.

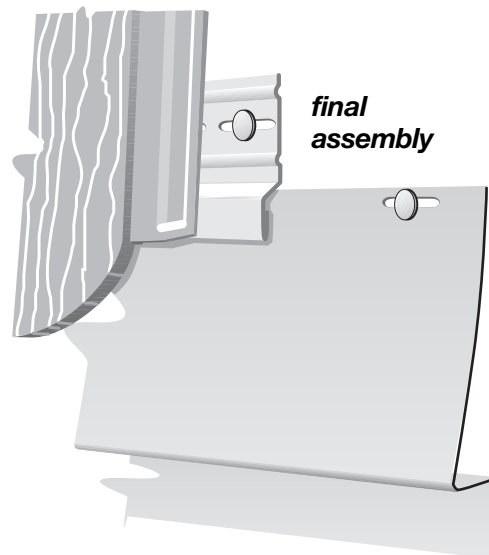


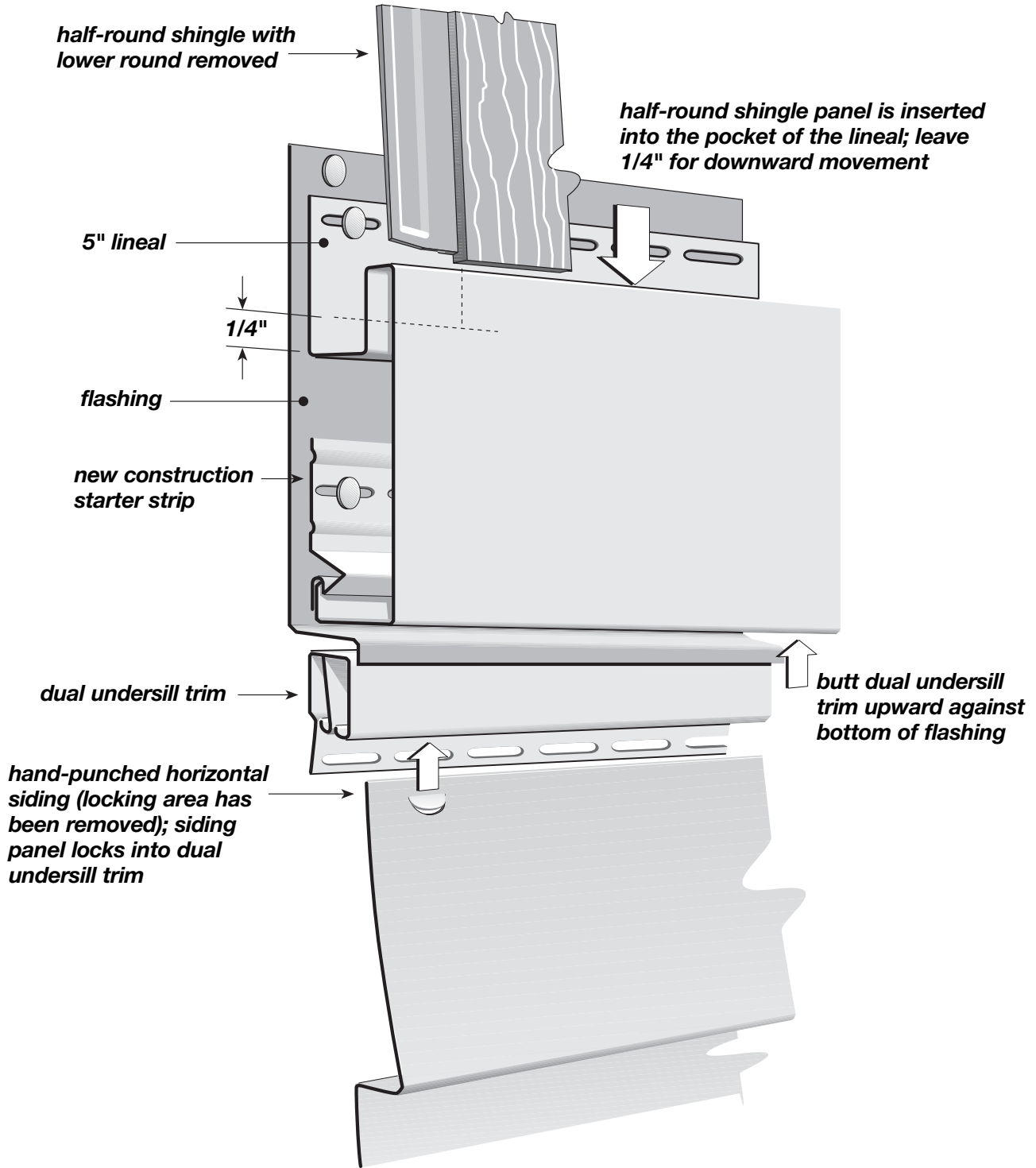
Hand punch nail slots in the panel face and secure the panel.

After hand punching and securing the siding piece, fasten Shingle Starter Strip.



Lock the Half-Round Shingles panels into the starter strip and fasten.





If you have any questions about installing this product, please call us at 800-233-8990.