

Creating Drainage Channels for Cedar Impressions® Polymer Shakes and Shingles

These instructions describe and illustrate the steps involved in creating drainage channels when installing Cedar Impressions® Shakes and Shingles. Their purpose is to provide detailed information and how-to tips that will simplify the installation process.

CertainTeed shall not accept any liability or responsibility under its written warranty for failure caused by application that does not meet our minimum requirements for proper installation. Any deviations from these requirements should be approved in writing by CertainTeed Corporation.

Important

Cedar Impressions Polymer Shakes and Shingles are not designed for roof application. They are designed solely for installation on vertical surfaces. Panels must be installed with nails over a solid substrate with nail holding strength such as plywood, oriented strand board, or existing wood siding (minimum 7/16" thick). This product cannot be installed with staples.

Before You Begin

Before you begin installing any Cedar Impressions panels, read the complete installation instructions, which can be found in the CertainTeed Vinyl and Polymer Siding Installation Guide (CTS205) or in the installation instructions for individual products. All are available on our website www.certainteed.com

Cedar Impressions® Double 7"
Staggered Perfection Shingles

Cedar Impressions® Double 7"
Straight Edge Perfection Shingles

Cedar Impressions® Double 7"
Straight Edge Rough-Split Shakes

Cedar Impressions® Double 9"
Staggered Rough-Split Shakes

Cedar Impressions® Triple 5"
Straight Edge Perfection Shingles

Drainage Channels

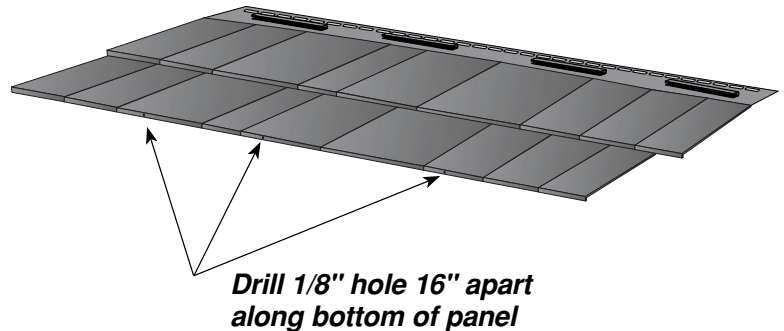
Some building codes require that Cedar Impressions panels be installed so that there is drainage space behind the panel. This space will allow moisture to escape from the panels while preventing water intrusions from the exterior. When installing Cedar Impressions panels, there are two ways to create drainage space: modify the panel or modify the wall.

Modifying the Panel

Drainage channels can be created by drilling weep holes in Cedar Impressions panels. Weep holes must be 1/8" (3.2mm) in diameter, spaced 16" (406mm) apart.

Depending upon which Cedar Impressions style you are installing, drill either two or three holes per panel.

Cedar Impressions® Panel	Holes per Panel
Double 7" Staggered Perfection Shingles	2
Double 7" Straight Edge Perfection Shingles	2
Double 7" Straight Edge Rough-Split Shakes	2
Double 9" Staggered Rough-Split Shakes	3
Triple 5" Straight Edge Perfection Shingles	3



Modifying the Wall

You can also create drainage channels by adding battens to the substrate. Nail 1" x 4" battens, 8" on center. Battens must be nailed or screwed into a nailable substrate.

