

# STONEfaçade™

Architectural Stone Cladding System

**Product Catalog**  
**July 2019**

**CertainTeed**  
SAINT-GOBAIN

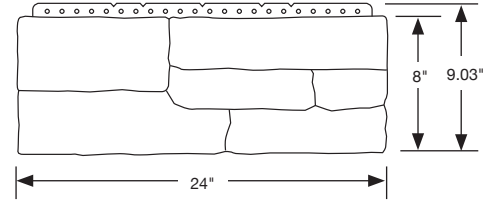
# STONEfaçade™ Architectural Stone Cladding System

## Ledgestone Panels

Product Code	Color Code	Color
11000	501	Harbor Sunset
11000	502	Pocono Autumn
11000	503	Adirondack Snowfall
11000	504	Appalachian Twilight

Width	Height	UOM	Pkg. Wt.	Sq. Ft./Ctn.	Pcs./Ctn.	Ln. Ft./Ctn.	Ctn./Pallet
24"	8"	Carton	98 lbs.	7.99	6	12	12

**Note:** Panels come in 3 different widths – 10", 14" and 24" (shown). All widths are randomly mixed within the cartons for installation ease. Number of pieces per carton will vary from 6 or 7 depending on whether or not you have a pre-mixed carton.

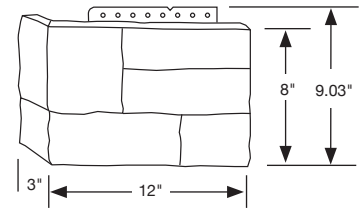


## Ledgestone Left Corners

Product Code	Color Code	Color
11201	501	Harbor Sunset
11201	502	Pocono Autumn
11201	503	Adirondack Snowfall
11201	504	Appalachian Twilight

Width	Height	UOM	Pkg. Wt.	Sq. Ft./Ctn.	Pcs./Ctn.	Ln. Ft./Ctn.	Ctn./Pallet
9", 10-1/2", 12"	8"	Carton	56 lbs.	4.5	6	6.75	15

**Note:** Corners are available in 3 sizes – 9", 10-1/2" and 12" (shown). A carton of corners contains 2 of each size for installation ease. Please refer to the STONEfaçade installation instructions for directions on corner usage.

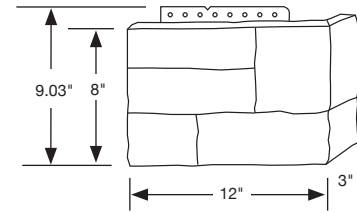


## Ledgestone Right Corners

Product Code	Color Code	Color
11202	501	Harbor Sunset
11202	502	Pocono Autumn
11202	503	Adirondack Snowfall
11202	504	Appalachian Twilight

Width	Height	UOM	Pkg. Wt.	Sq. Ft./Ctn.	Pcs./Ctn.	Ln. Ft./Ctn.	Ctn./Pallet
9", 10-1/2", 12"	8"	Carton	56 lbs.	4.5	6	6.75	15

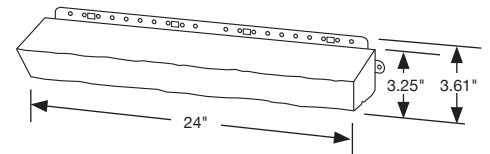
**Note:** Corners are available in 3 sizes – 9", 10-1/2" and 12" (shown). A carton of corners contains 2 of each size for installation ease. Please refer to the STONEfaçade installation instructions for directions on corner usage.



## Sills

Product Code	Color Code	Color	Profile Color	Accessory Color Match
11001	505	Brown	Harbor Sunset	Brown
11001	506	Dark Gray	Pocono Autumn	Brown
			Adirondack Snowfall	Dark Gray
			Appalachian Twilight	Brown

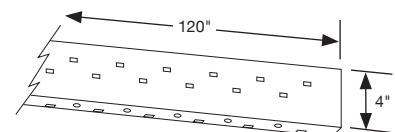
Width	Height	UOM	Pkg. Wt.	Pcs./Ctn.	Ln. Ft./Ctn.	Ctn./Pallet
24"	3.25"	Carton	71 lbs.	5	10	15



## Starter Strip

Product Code	Color
11301000	No Color

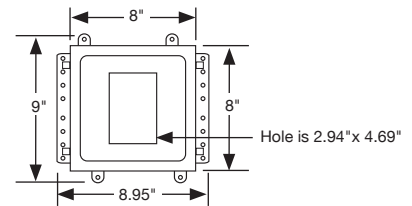
Width	Height	UOM	Pkg. Wt.	Pcs./Ctn.	Ln. Ft./Ctn.	Ctn./Pallet
120"	4"	Carton	100 lbs.	25	250	35



## Single Course Electrical Box

Product Code	Color Code	Color	Profile Color	Accessory Color Match
11304	505	Brown	Harbor Sunset	Brown
11304	506	Dark Gray	Pocono Autumn	Brown
			Adirondack Snowfall	Dark Gray
			Appalachian Twilight	Brown

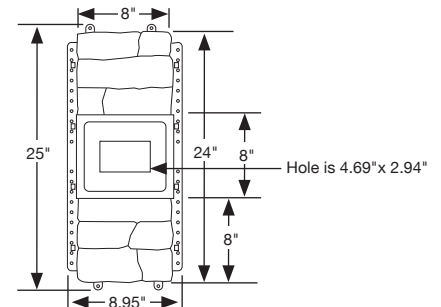
Width	Height	UOM	Pkg. Wt.	Pcs./Ctn.	Ctn./Pallet
8"	8"	Carton	55 lbs.	12	15



## Multicourse Electrical Box – Horizontal Opening

Product Code	Color Code	Color
11302	501	Harbor Sunset
11302	502	Pocono Autumn
11302	503	Adirondack Snowfall
11302	504	Appalachian Twilight

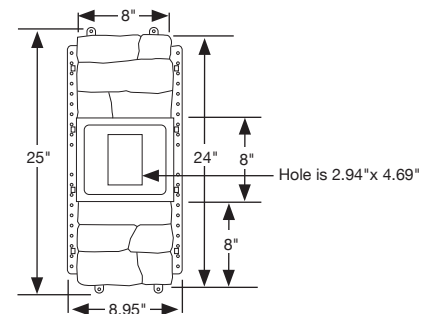
Width	Height	UOM	Pkg. Wt.	Pcs./Ctn.	Ctn./Pallet
8"	24"	Carton	67 lbs.	4	15



## Multicourse Electrical Box – Vertical Opening

Product Code	Color Code	Color
11303	501	Harbor Sunset
11303	502	Pocono Autumn
11303	503	Adirondack Snowfall
11303	504	Appalachian Twilight

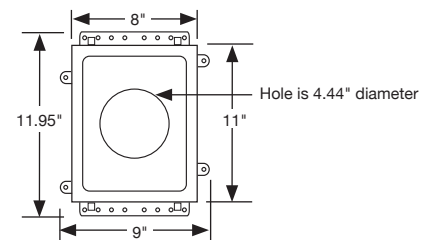
Width	Height	UOM	Pkg. Wt.	Pcs./Ctn.	Ctn./Pallet
8"	24"	Carton	67 lbs.	4	15



## Single Course Light Box

Product Code	Color Code	Color	Profile Color	Accessory Color Match
11404	505	Brown	Harbor Sunset	Brown
11404	506	Dark Gray	Pocono Autumn	Brown
			Adirondack Snowfall	Dark Gray
			Appalachian Twilight	Brown

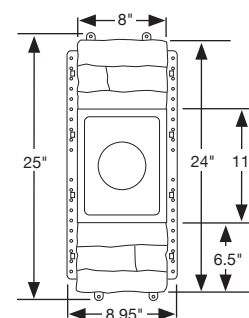
Width	Height	UOM	Pkg. Wt.	Pcs./Ctn.	Ctn./Pallet
8"	11"	Carton	51 lbs.	8	15



## Multicourse Light Box

Product Code	Color Code	Color
11405	501	Harbor Sunset
11405	502	Pocono Autumn
11405	503	Adirondack Snowfall
11405	504	Appalachian Twilight

Width	Height	UOM	Pkg. Wt.	Pcs./Ctn.	Ctn./Pallet
8"	24"	Carton	66 lbs.	4	15





**CertainTeed Corporation**

**CEILINGS • DECKING • FENCE • GYPSUM • INSULATION • RAILING • ROOFING • SIDING • TRIM**

20 Moores Road, Malvern, PA 19355 Professional: 800-233-8990 Consumer: 800-782-8777 [certainteeted.com](http://certainteeted.com)