

R.1.1

$\frac{1}{4}$ "

6" Modular Light Fixture Width

$\frac{1}{4}$ "

HunterDouglas 
 Ceiling & Wall Products
 exclusively from CertainTeed

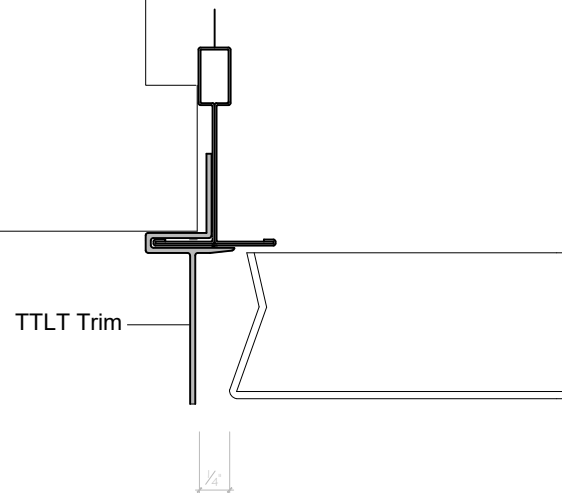
Techstyle[®]
 Acoustical Ceilings

11500 E. 53rd Ave, Suite D
 Denver, CO 80239
 T 866.556.1235
 F 720.872.7850
 CTSpecialtyCeilings.com

All rights reserved. This drawing is the property of CertainTeed. It may not be copied or multiplied, neither wholly nor partly. It may not be submitted for perusal to third parties.

**RECESSED MODULAR
 LIGHT FIXTURE WITH
 TTLT TRIM**

R.1.2



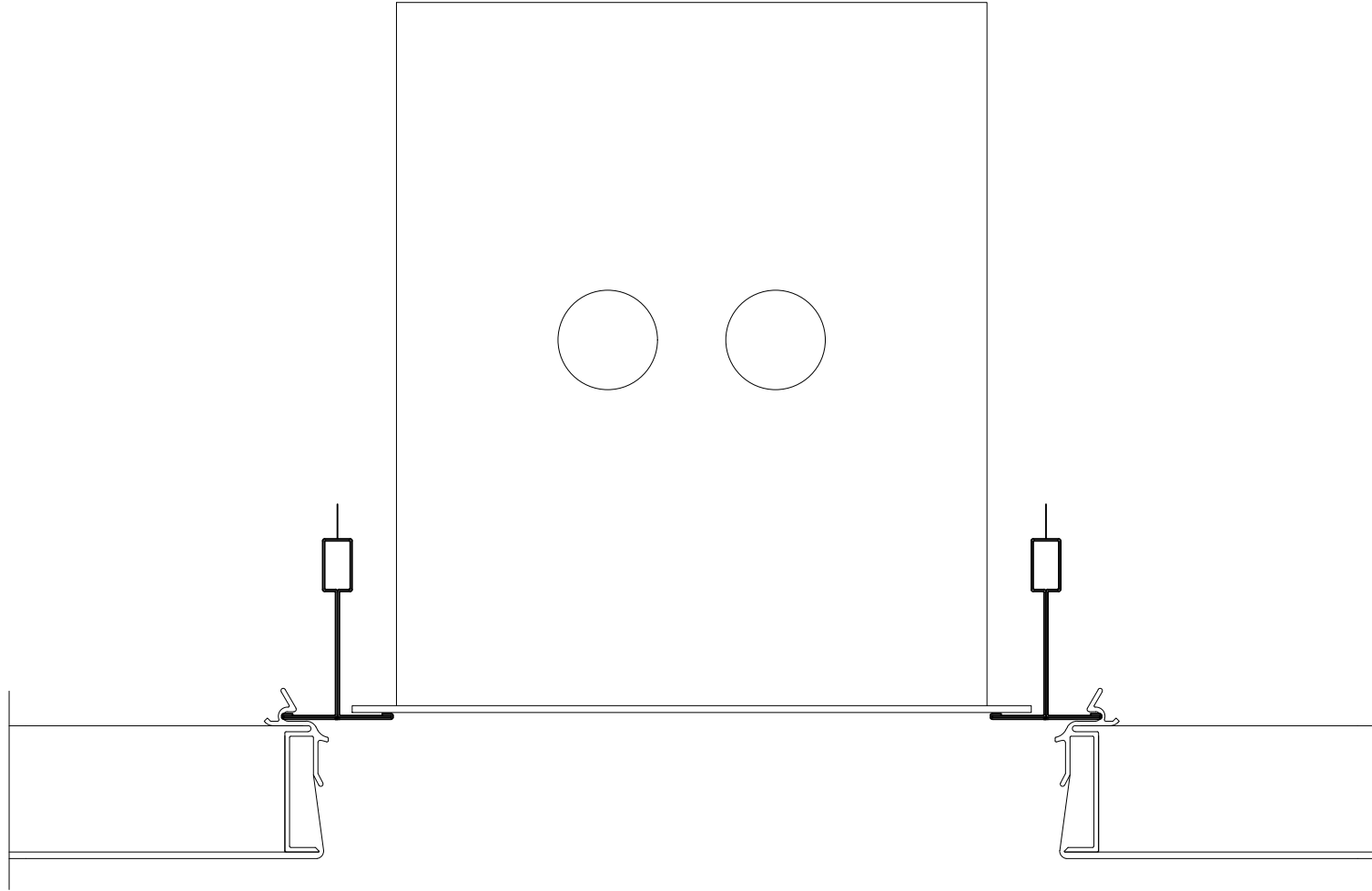
HunterDouglas 
Ceiling & Wall Products
exclusively from CertainTeed

Techstyle[®]
Acoustical Ceilings

11500 E. 53rd Ave, Suite D
Denver, CO 80239
T 866.556.1235
F 720.872.7850
CTSpecialtyCeilings.com

All rights reserved. This drawing is the property of CertainTeed. It may not be copied or multiplied, neither wholly nor partly. It may not be submitted for perusal to third parties.

**RECESSED MODULAR
LIGHT FIXTURE WITH
TTLT TRIM**



R.1.3

6" Modular Light Fixture Width

HunterDouglas 
Ceiling & Wall Products
exclusively from CertainTeed

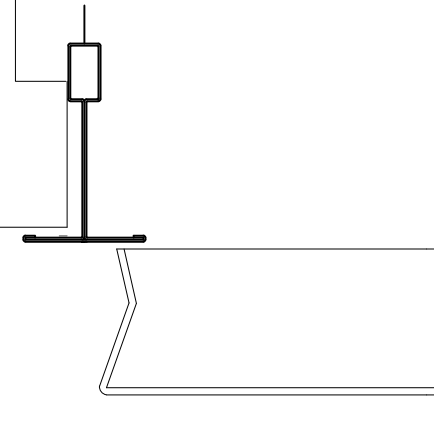
Techstyle[®]
Acoustical Ceilings

11500 E. 53rd Ave, Suite D
Denver, CO 80239
T 866.556.1235
F 720.872.7850
CTSpecialtyCeilings.com

All rights reserved. This drawing is the property of CertainTeed. It may not be copied or multiplied, neither wholly nor partly. It may not be submitted for perusal to third parties.

**RECESSED MODULAR
LIGHT FIXTURE**

R.1.4



HunterDouglas 
Ceiling & Wall Products
exclusively from CertainTeed

Techstyle[®]
Acoustical Ceilings

11500 E. 53rd Ave, Suite D
Denver, CO 80239
T 866.556.1235
F 720.872.7850
CTSpecialtyCeilings.com

All rights reserved. This drawing is the property of CertainTeed. It may not be copied or multiplied, neither wholly nor partly. It may not be submitted for perusal to third parties.

**RECESSED MODULAR
LIGHT FIXTURE WITH
TTLT TRIM**