

FLINTFAST® #14 HEAVY DUTY FASTENERS

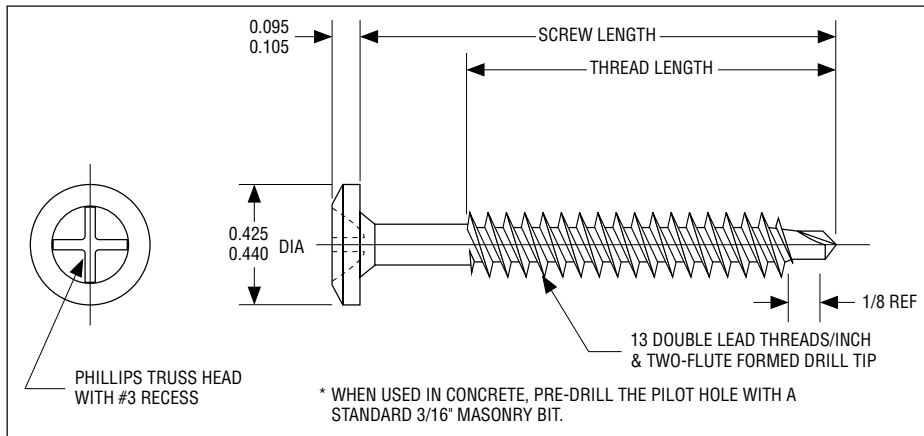
Product Information



Description: FlintFast Fasteners from CertainTeed are engineered to provide top quality performance with commercial roofing systems and designed to increase strength and improve application efficiency. Heavy Duty Fasteners are used in roofing applications for the attachment of roofing insulation (FlintBoard®) and base sheets.

Uses: For tougher jobs, low profile head provides positive driving, while sharp drill point and exclusive tapered wedge entry allow fast, strong application. Available in lengths from 1-1/2" to 12".

Technical Data



- 13 single lead threads per inch
- Standard #3 Phillips Truss Head
- Back-out resistance
- Coating exceeds FM4470 corrosion standards
- Approvals: Factory Mutual, Miami-Dade

<p>Pull-out Values in Steel</p> <p>18 Ga. – 830 lbs. 20 Ga. – 656 lbs. 22 Ga. – 472 lbs. 24 Ga. – 347 lbs.</p>	<p>Reverse Back-out Torque</p> <p>25 inch/lb. 25.5 inch/lb. 20 inch/lb. 17 inch/lb.</p>
<p>Pull-out Values in Concrete</p> <p>3000 PSI Concrete 1" Embedment – 740 lbs.</p>	<p>Shear Strength</p> <p>3000 PSI Concrete 1" Embedment – 586 lbs.</p>
<p>Pull-out Values in Wood</p> <p>1/2" Plywood – 442 lbs. 3/4" Plywood – 495 lbs. Wood Plank 1" Embedment – 517 lbs.</p>	

**Product
Application**

Eye protection must be worn. Install using 2500 RPM variable speed drill.
Do not over or under drive.

Steel decks: penetrate 3/4" minimum
Wood decks: into or through deck 1" minimum
Concrete decks: penetrate 1" minimum

Packaging

Part No.	Screw Length*	Thread Length*	Pieces per Pail	Weight/Box
HD-1500	1-1/2	FULL	1000	14#
HD-2000	2	FULL	1000	18#
HD-3000	3	FULL	1000	26#
HD-4000	4	3-7/8	1000	31#
HD-5000	5	3-7/8	1000	42#
HD-6000	6	3-7/8	1000	47#
HD-7000	7	3-7/8	500	27#
HD-8000	8	3-7/8	500	30#
HD-9000	9	3-7/8	500	34#
HD-10000	10	3-7/8	500	38#
HD-11000	11	3-7/8	500	43#
HD-12000	12	3-7/8	500	45#

Driver included in each pail

* Screw length = $\pm 1/16$ "
Thread length = $\pm 1/16$ "

For more information, contact CertainTeed Commercial Roofing Technical Services
at 800-396-8134 x2.

ASK ABOUT ALL OF OUR OTHER CERTAINTEED® PRODUCTS AND SYSTEMS:

ROOFING • SIDING • TRIM • DECKING • RAILING • FENCE
GYPSUM • CEILINGS • INSULATION

www.certainteed.com <http://blog.certainteed.com>

CertainTeed Corporation
P.O. Box 860
Valley Forge, PA 19482

Professional: 800-233-8990
Consumer: 800-782-8777

© 03/15 CertainTeed Corporation, Printed in the U.S.A.
Code No. COMM-173

