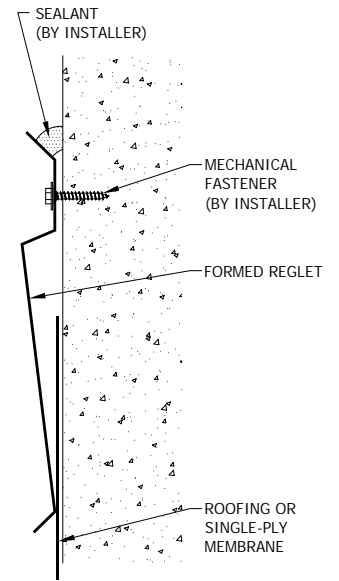
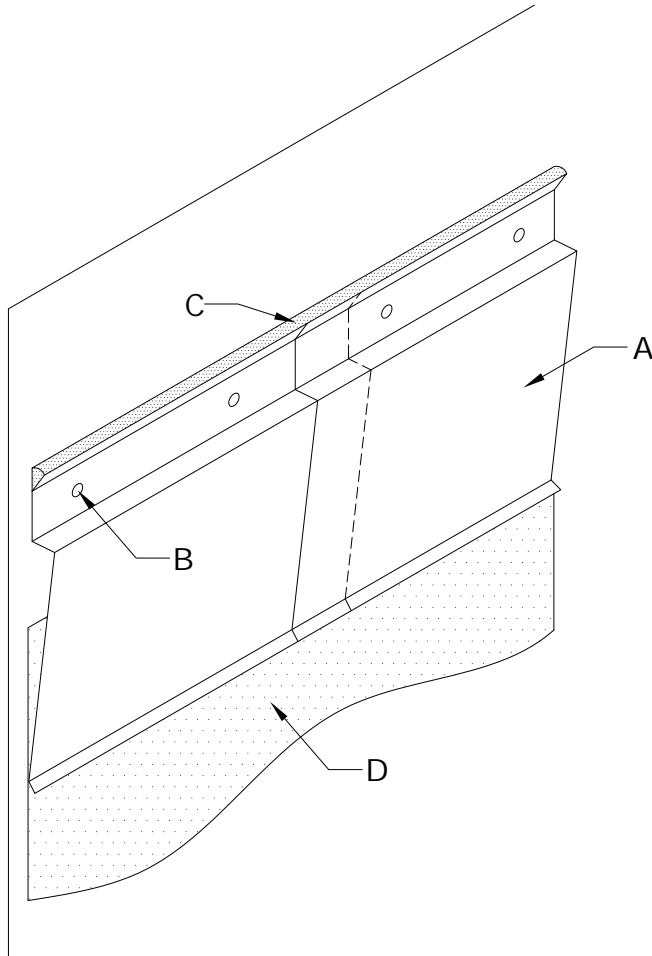


Installation Guide for FlintEdge Surface Mount Reglet



NOTES:

#1 - Isolate all metal parts from ACQ treated wood or other galvanically incompatible material with appropriate membrane material.

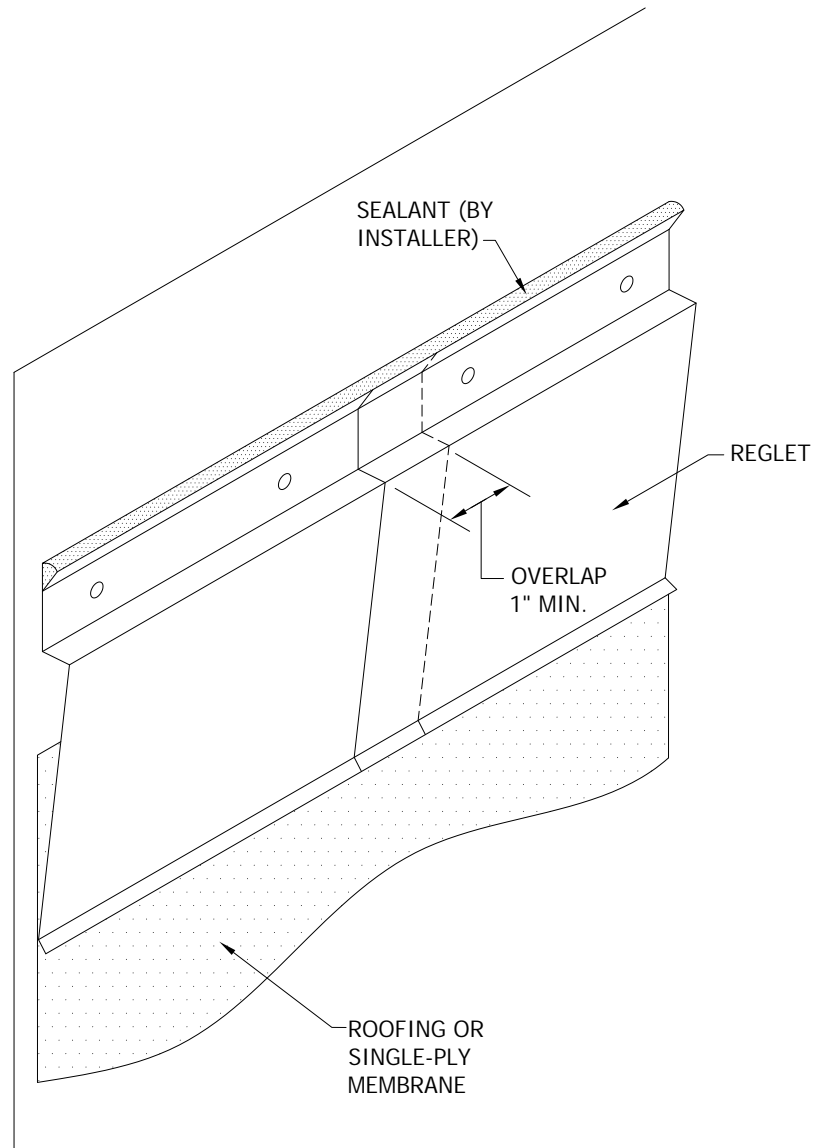
#2 - Appliance attachments, such as lightning rods, signs, or antennae that penetrate the water seal, induce a galvanic reaction, or otherwise compromise the effectiveness of the roof edge system, shall be eliminated or isolated to prevent problems per section 8.0 of ANSI/SPRI ES-1. Appliances should be isolated from or not attached to the roof edge system. Consult the lightning protection system manufacturer for specific attachment instructions.

A. Formed Reglet
10'-0" Lengths

B. Mechanical Fasteners
at 12" o.c. (6" from ends)
(By Installer)

C. Sealant
Continuous Bead of Sealant, 3/8" Wide
(By Installer)

D. Roofing or Single-Ply Membrane
(By Installer)



STEP 1: Installation of Reglet

Ensure that roofing membrane is continued up the side wall a min. of 18". Set the reglet over the membrane. Attach using mechanical fasteners (by installer). Locate fasteners in each pre-punched holes. Be sure to overlap adjoining piece of reglet a min. of 1" to allow for thermal expansion.

STEP 2: Installation of Sealant

Apply a continuous (3/8") wide bead of sealant to the top side of the reglet (see diagram above).

CORNER APPLICATION

Field bevel cut reglet and counter flashing for appropriate corner.