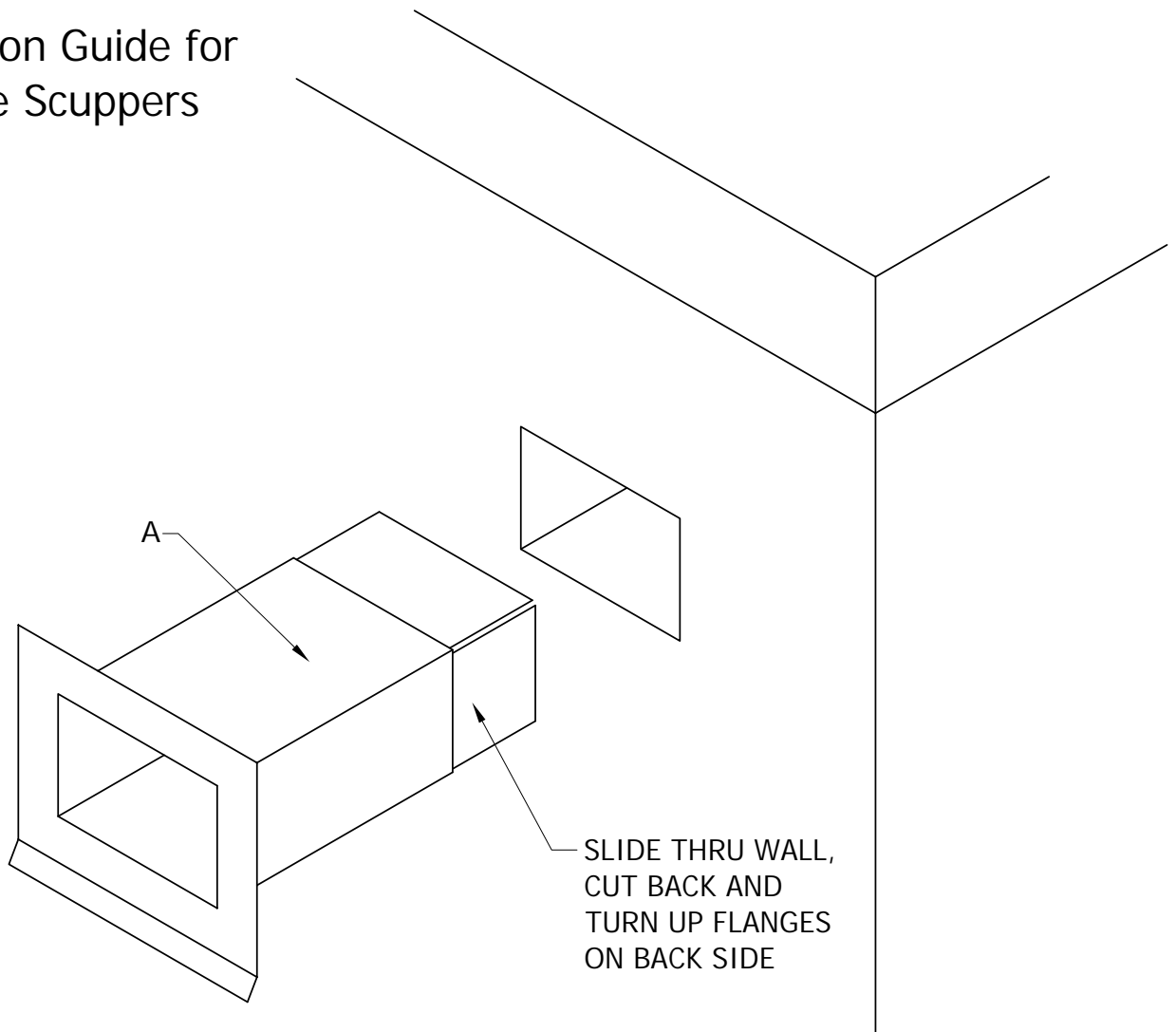


Installation Guide for FlintEdge Scuppers



A. Formed Scupper
Sized upon request

Installation Instruction:

STEP 1: Slide scupper through wall from face side of building.

STEP 2: Attach scupper to wall, flash to membrane according to their guidelines.

STEP 3: Flash the roofside of tube per membrane manufacturer's guidelines & requirements.