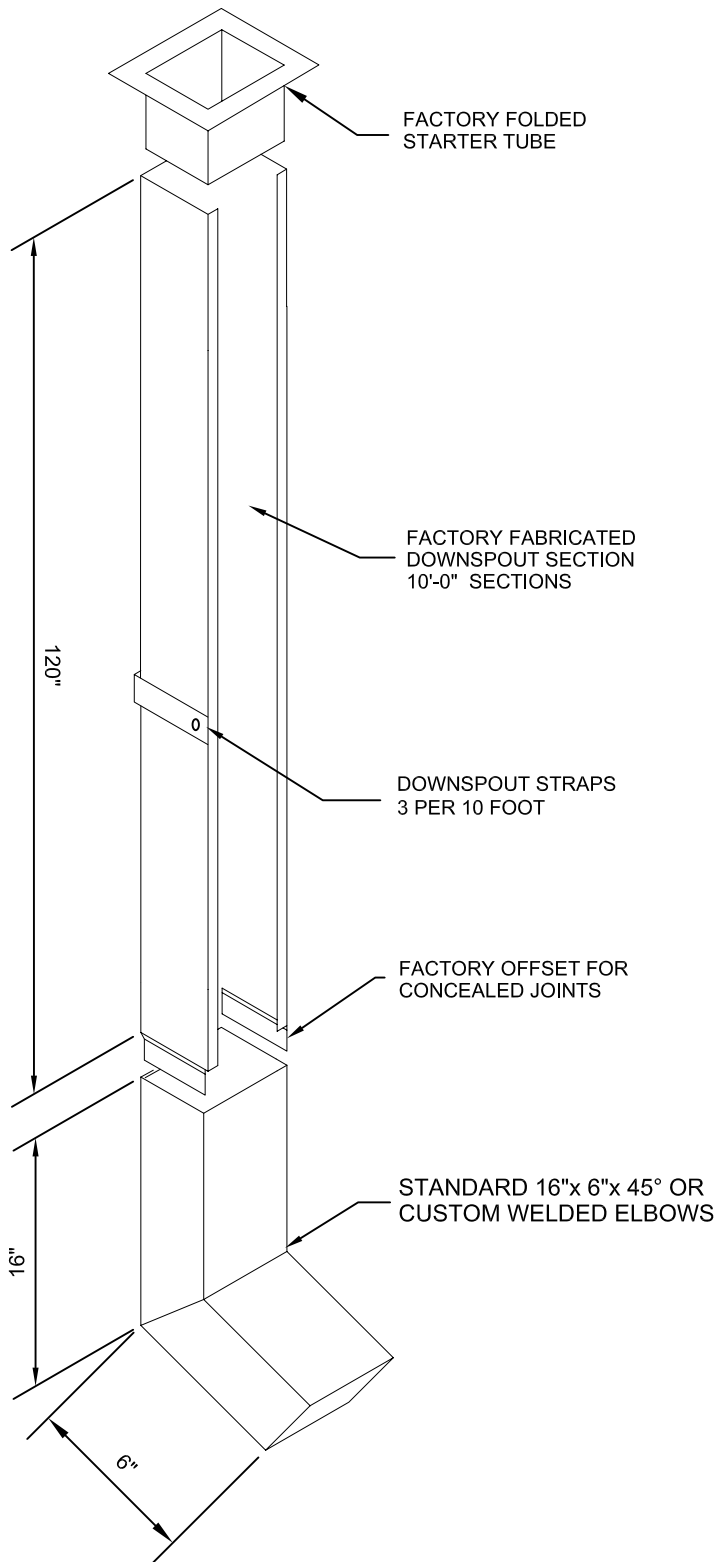


| DETAIL:  | ARCHITECTURAL REF:   | DESCRIPTION:  |   |  |  |
|--|--|---|---|--|--|
| <p><b>QUANTITY, this detail</b></p> <p>___ PCS STOCK @10'-0"</p> <p>___ PCS STARTER TUBES</p> <p>___ PCS STD. ELBOWS (attach sketches)</p> <p>___ SOFFIT ELBOWS STYLE 1 ANGLE @ _____</p> <p>___ SOFFIT ELBOWS STYLE 2 ANGLE @ _____</p> | <p><b>MODEL</b></p> <p><input type="checkbox"/> DS34</p> <p><input type="checkbox"/> DS44</p> <p><input type="checkbox"/> DS45</p> <p><input type="checkbox"/> DS46</p> <p><input type="checkbox"/> DS66</p> <p><input type="checkbox"/> CUSTOM+</p> | <p><b>OPTIONS</b></p> <p><input type="checkbox"/> _____</p> <p><input type="checkbox"/> _____</p> | <p><b>CUSTOM SIZE</b></p> <p>A= _____</p> <p>B= _____</p> <p><b>THICKNESS</b></p> <p><input type="checkbox"/> .032</p> <p><input type="checkbox"/> .040</p> <p><input type="checkbox"/> .050</p> <p><input type="checkbox"/> .063</p> <p><input type="checkbox"/> 24 GA</p> <p><input type="checkbox"/> _____</p> | <p><b>MATERIAL</b></p> <p><input type="checkbox"/> ALUMINUM</p> <p><input type="checkbox"/> GALV. STEEL</p> <p><input type="checkbox"/> _____</p> <p><b>FINISH</b></p> <p><input type="checkbox"/> MILL FINISH</p> <p><input type="checkbox"/> KYNAR 500</p> <p><input type="checkbox"/> CLEAR ANODIZED</p> <p><input type="checkbox"/> BRONZE ANODIZED</p> <p><input type="checkbox"/> BLACK ANODIZED</p> <p><input type="checkbox"/> _____</p> <p><b>COLOR</b> _____</p> |  |
| see size chart on back   |  |   |   |  |  |

|   |  |
|---|--|
| <p><b>TRANSMITTAL</b></p> <p><input type="checkbox"/> REQUEST FOR QUOTATION</p> <p><input type="checkbox"/> SUBMIT AS QUOTATION</p> <p><input type="checkbox"/> SUBMIT FOR APPROVAL</p> <p><input type="checkbox"/> REQUEST FOR INFORMATION</p> <p><input type="checkbox"/> CONFIRMING TELECONFERENCE</p> <p><input type="checkbox"/> FOR YOUR FILES</p> <p>BY _____ DATE _____</p> | <p><b>CUSTOMER APPROVAL</b></p> <p><input type="checkbox"/> APPROVED FOR FABRICATION</p> <p><input type="checkbox"/> APPROVED AS NOTED</p> <p><input type="checkbox"/> AMEND &amp; RESUBMIT</p> <p>_____</p> <p>authorized customer signature</p> <p>_____</p> <p>title _____ date _____</p> |
|---|--|

|                |          |
|----------------|----------|
| JOB NAME       | JOB#     |
| LOCATION       | SHEET OF |
| CUSTOMER       | BY       |
| REPRESENTATIVE | DATE     |
| ARCHITECT      |          |

# FlintEdge Open Face Downspout



| Model | Face Width |     | Side Depth |     |
|-------|------------|-----|------------|-----|
|       | A          | B   | A          | B   |
|       | in.        | mm  | in.        | mm  |
| DS34  | 4          | 102 | 3          | 76  |
| DS44  | 4          | 102 | 4          | 102 |
| DS45  | 5          | 127 | 4          | 102 |
| DS46  | 6          | 152 | 4          | 102 |
| DS66  | 6          | 152 | 6          | 152 |

CAN BE USED WITH FLINTEGE FASCIA SUMPS OR CUSTOM DESIGNED GUTTERS

STANDARD 16"x 6"x 45° OR CUSTOM WELDED ELBOWS

AVAILABLE IN ALL QUALITY ALUMINUM FINISHES

