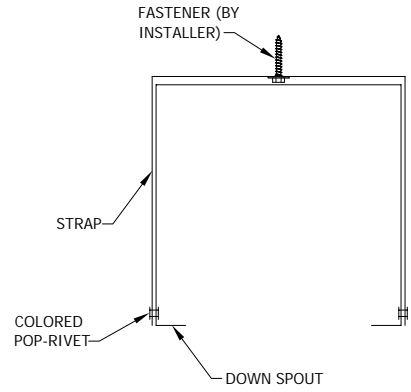
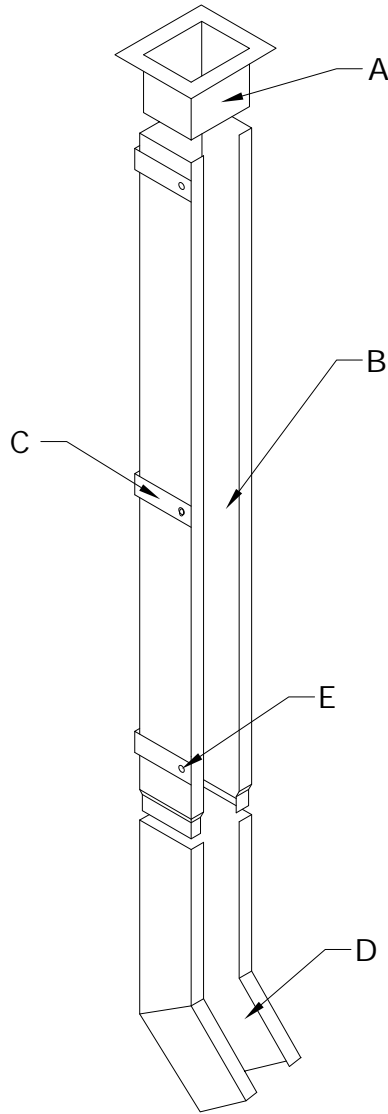
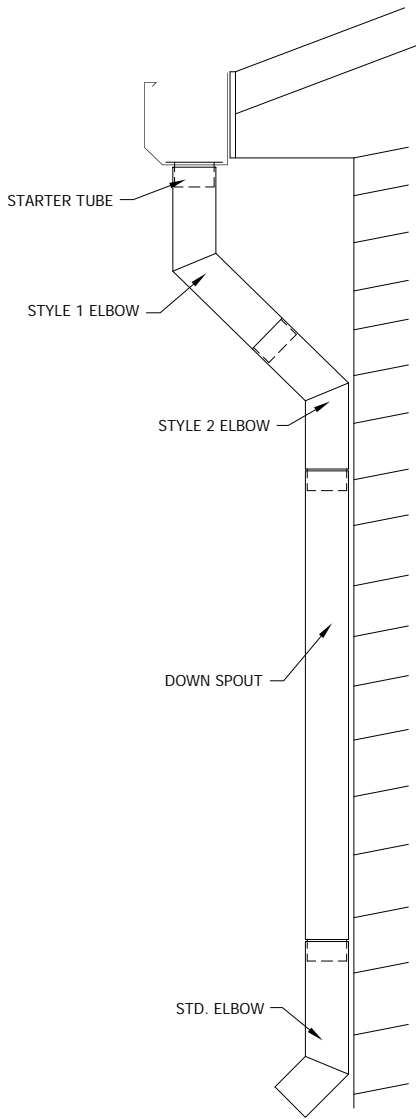


Installation Guide for
FlintEdge DownSpout
(OPEN FACE)



NOTES:
#1 - Isolate all metal parts from ACQ treated wood or other galvanically incompatible material with appropriate membrane material.
#2 - Appliance attachments, such as lightning rods, signs, or antennae that penetrate the water seal, induce a galvanic reaction, or otherwise compromise the effectiveness of the roof edge system, shall be eliminated or isolated to prevent problems per section 8.0 of ANSI/SPRI ES-1. Appliances should be isolated from or not attached to the roof edge system. Consult the lightning protection system manufacturer for specific attachment instructions.

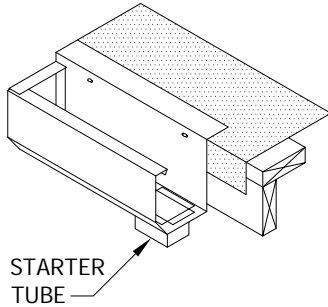
A. Starter Tube
At All Downspout Locations

B. DownSpout
10'-0" Lengths

C. Straps
3 Per 10'-0" Downspouts

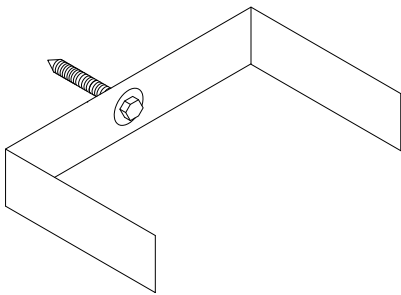
D. Elbows
(Included)

E. Colored Pop-Rivets
(Included)



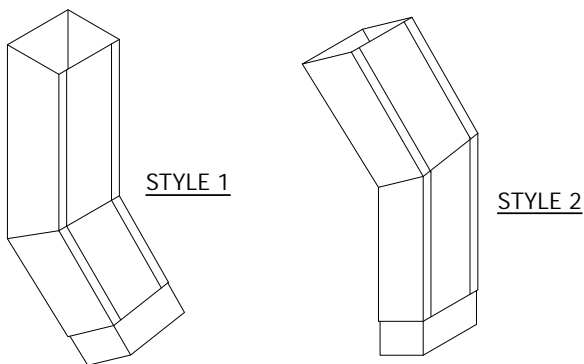
STEP 1: Installing Starter Tube

Determine starter tube locations and field cut hole in gutter bottom. Insert starter tube and fasten with 2 rivets in each flange and seal with non-curing sealant.



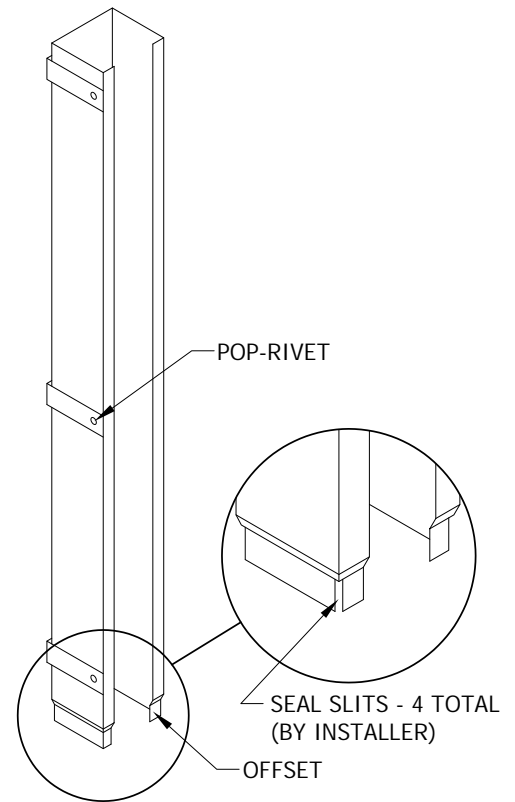
STEP 2: Installing Straps

Locate the appropriate straps and secure to wall with mechanical fasteners (by installer). Install 3 per 10'-0" sections, typ. for all straight lengths.



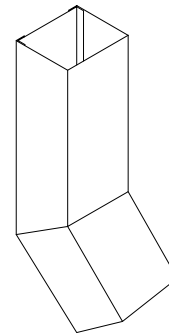
STEP 3: Installing Elbow's at Soffit

Locate appropriate elbows, make sure offset end is at the bottom. Slide STYLE 1 elbow over starter tube, secure and seal at ALL joints. Slide STYLE 2 elbow over STYLE 1 offset, secure and seal at ALL joints.



STEP 4: Installing Downspout Straight Lengths

Locate appropriate straight lengths, make sure offset end is at the bottom. Slide over STYLE 2 offset, secure and seal at ALL joints. Secure to straps using pop-rivets provided by manufacturer.



STEP 5: Installing Downspout Elbow

Locate appropriate elbows and slide over factory offset, secure and seal at joint.