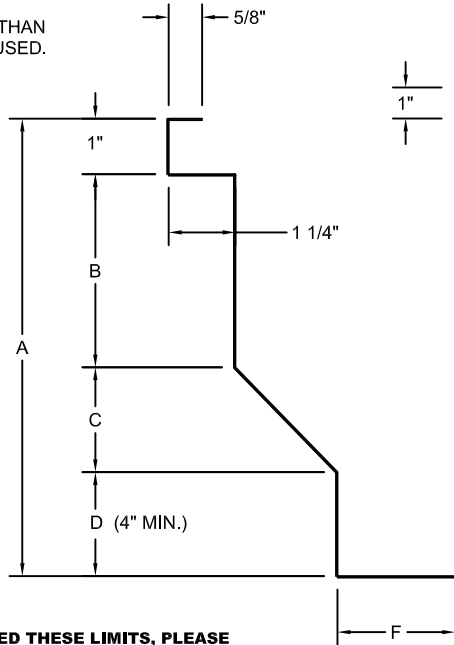


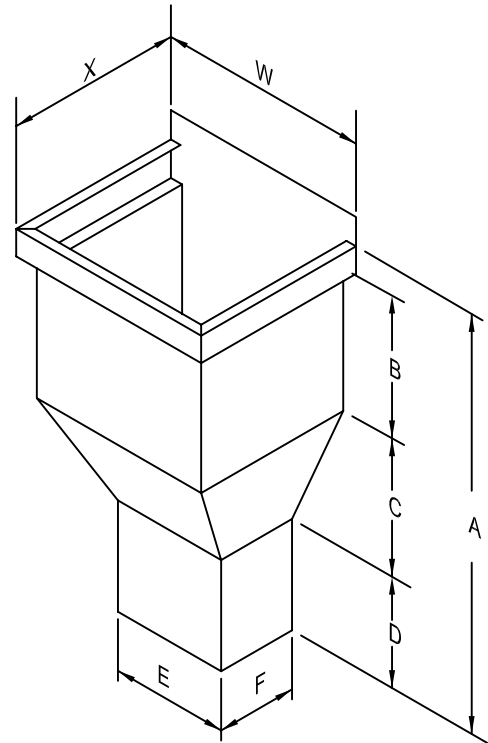
NOTE:
"E" & "F" ARE SIZED 1/4" LESS THAN
SIZE OF DOWNSPOUT TO BE USED.

DIM. "A" = 24" MAXIMUM
DIM. "X" = 12" MAXIMUM
DIM. "W" = 18" MAXIMUM

A = _____
B = _____
C = _____
D = _____
E = _____
F = _____
X = _____
Y = _____



SECTION CUT



IF YOUR SPECIFICATIONS EXCEED THESE LIMITS, PLEASE
CONTACT MFR. FOR SIZES BEYOND THESE LIMITS.

DETAIL:	ARCHITECTURAL REF:	DESCRIPTION:		
QUANTITY, THIS DETAIL _____ PIECES EACH	MATERIAL	TYPE	FINISH	
	<input type="checkbox"/> ALUMINUM <input type="checkbox"/> STAINLESS STEEL <input type="checkbox"/> _____	<input type="checkbox"/> WELDED	<input type="checkbox"/> MILL FINISH <input type="checkbox"/> POST FINISHED KYNAR <input type="checkbox"/> POST FINISHED ANODIZE <input type="checkbox"/> _____	
	THICKNESS		COLOR _____	
	<input type="checkbox"/> .050 <input type="checkbox"/> .063 <input type="checkbox"/> _____			
Transmittal		Customer Approval		
<input type="checkbox"/> REQUEST FOR QUOTATION <input type="checkbox"/> SUBMIT FOR APPROVAL <input type="checkbox"/> REQUEST FOR INFORMATION <input type="checkbox"/> CONFIRMING TELECONFERENCE <input type="checkbox"/> FOR YOUR FILES By _____ Date _____		<input type="checkbox"/> APPROVED FOR FABRICATION <input type="checkbox"/> APPROVED AS NOTED <input type="checkbox"/> AMEND & RESUBMIT _____ Authorized Customer Signature _____ Title _____ Date _____		
Job Name		Job #		
Location		Sheet _____ of _____		
Customer		By _____		
Representative		Date _____		
Architect				