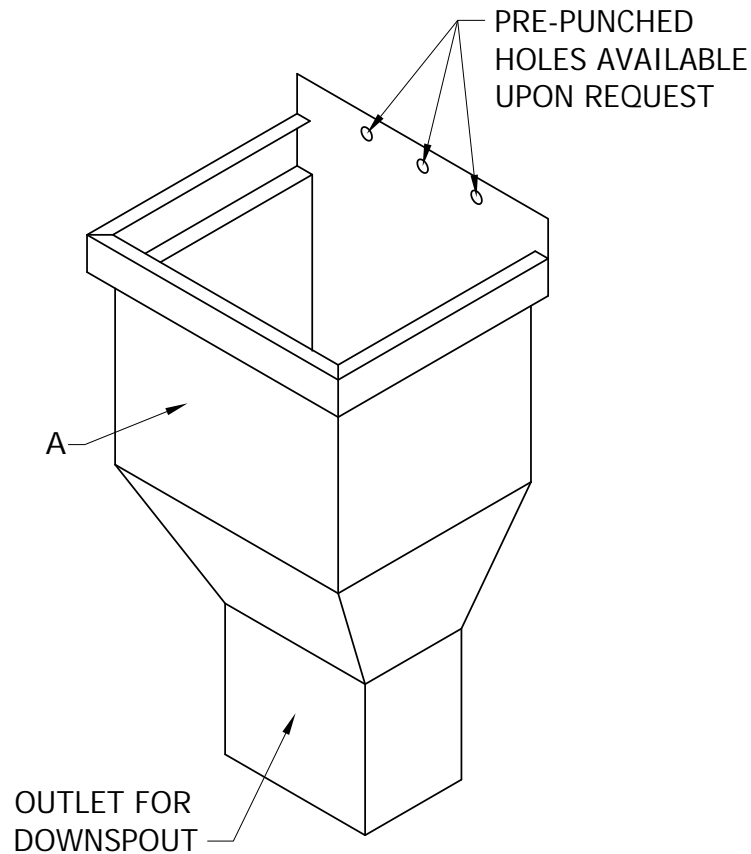


Installation Guide for FlintEdge Conductor Head



A. Formed Conductor Head
Sized upon request

Installation Instruction:

STEP 1: Locate conductor head at specified locations.

STEP 2: Install onto wall using fasteners (by installer) appropriate for substrate.

STEP 3: Attach downspout to conductor head where required.