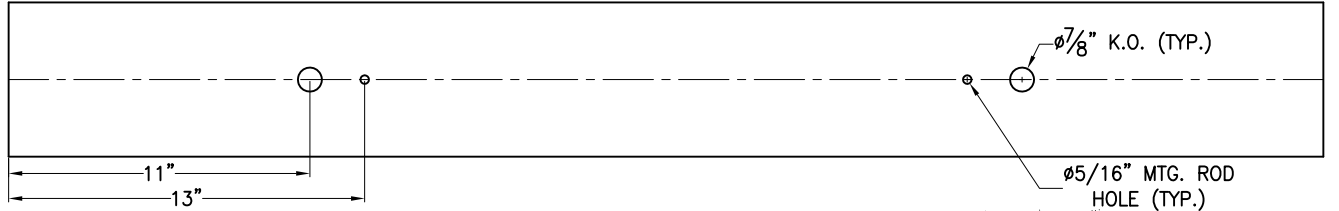
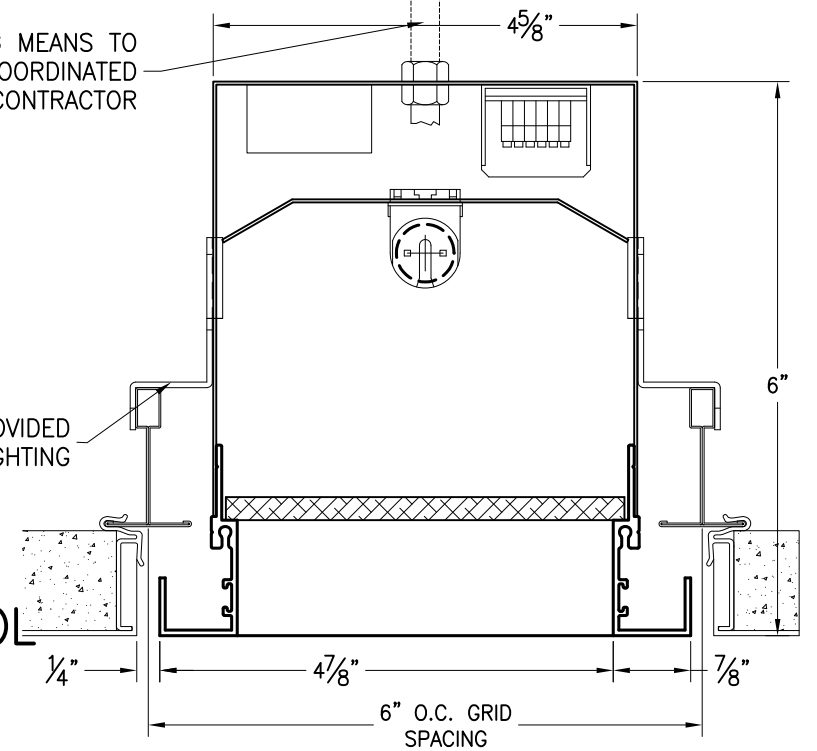
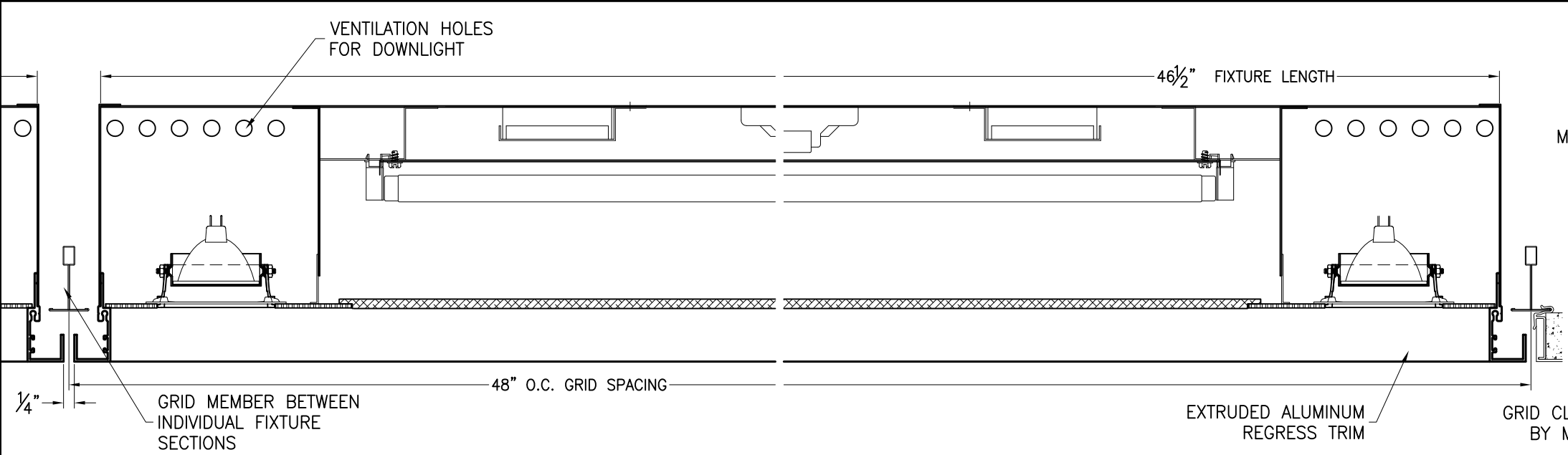


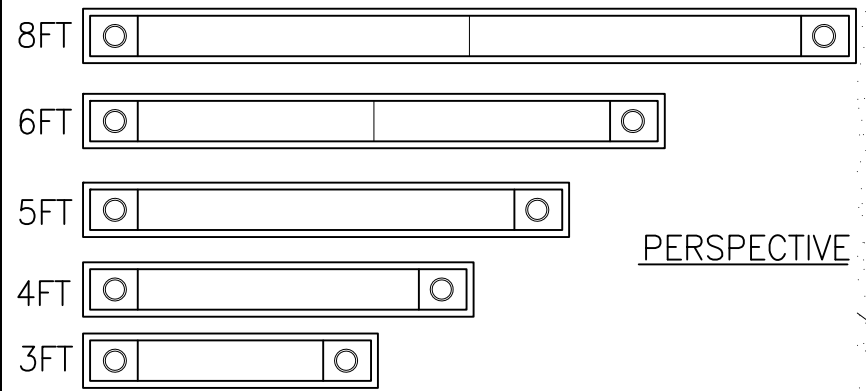
This document, the designs and information presented hereon are the confidential and proprietary property of Mark Architectural Lighting and is presented for the sole use of conveying product data to our customer. The use, reproduction or divulging of its contents without the consent or knowledge of Mark Architectural Lighting is prohibited.

Rev.	Description	Date	By

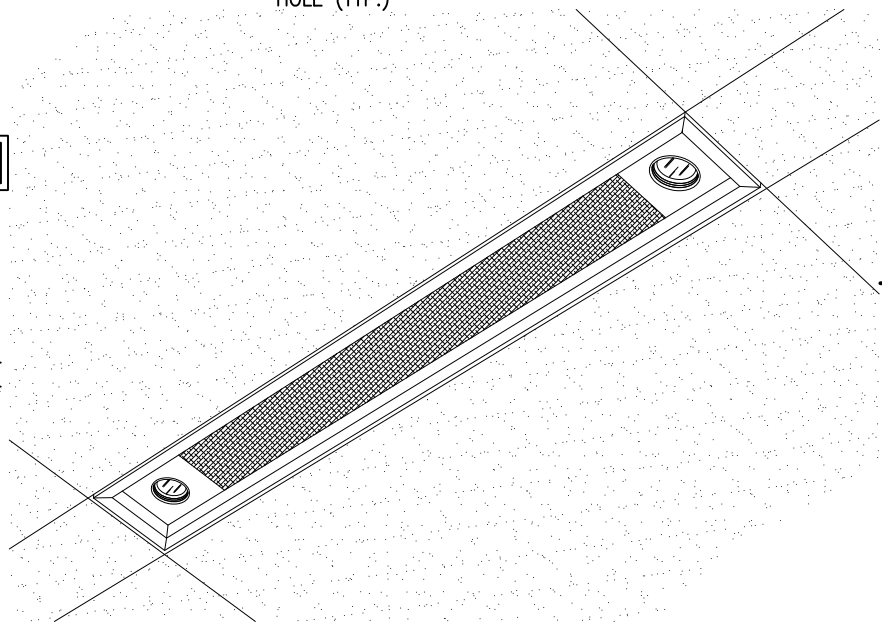


CATALOG NO.:
SL6-TS-6XM-T5/MR16-MOD-FA-VOL

TYP. MOUNTING AND FEED LOCATIONS



PERSPECTIVE



REFLECTED VIEWS

SECT THRU DOWNLIGHT

SPECIFICATIONS

LIGHTING DIRECT

MOUNTING RECESSED IN 15/16" TEE CEILING WITH 1 1/8" TECHSTYLE ACOUSTICAL TILE

NOMINAL SIZE 6" X 6" X 36", 48", 60" 72" & 96" NOMINAL SECTIONS

BALLAST ELECTRONIC HPF LOW PROFILE FLUORESCENT AND ELECTRONIC LOW VOLTAGE TRANSFORMER MOUNTED WITHIN FLUORESCENT HOUSING. ADVISE VOLTAGE

LAMPS (1) OR (2) T5/T5HO LAMPS, AND (2) 50 WATT MAX. MR16 LAMPS PER FIXTURE SECTION (NOT BY MARK)

REFLECTOR DIE FORMED 20 GA. C.R.S., HIGH REFLECTANCE BAKED WHITE ENAMEL FINISH

LENS NOMINAL 1/4" THICK FROSTED CLEAR ACRYLIC

MATERIAL HOUSING AND INTERNAL COMPONENTS TO BE 20 GA. C.R.S. REGRESSED TRIM TO BE EXTRUDED ALUMINUM WITH MITERED CORNERS MR16 TRIM TO BE DIE CAST ALUMINUM

FINISH BAKED MATTE WHITE ENAMEL RECESSED TRIM; MR16 TRIM TO BE PAINTED BLACK

U.L. LISTED AND UNION MADE IN THE U.S.A., IBEW, AFL/CIO

TYPES:

CATALOG NO.		ORDER NO.																								
TYPE	QTY	RUN LENGTH	3FT				4FT				5FT				6FT				8FT							
			IND	BOR	INT	EOR	IND	BOR	INT	EOR	IND	BOR	INT	EOR	IND	BOR	INT	EOR	IND	BOR	INT	EOR				
TOTALS																										



3 Kilmer Road
 Edison, NJ 08817
 Ph: 732-985-2600
 Fax: 732-985-8441

mark architectural lighting

Project: SLOT SERIES W/MR16 - TECHSTYLE CEILING		
Distributor:		
By: NP	Date: 05/20/09	Scale: N.T.S.
Dwg. no.:	B15709	Size: B
		Rev.: