

F.1.1

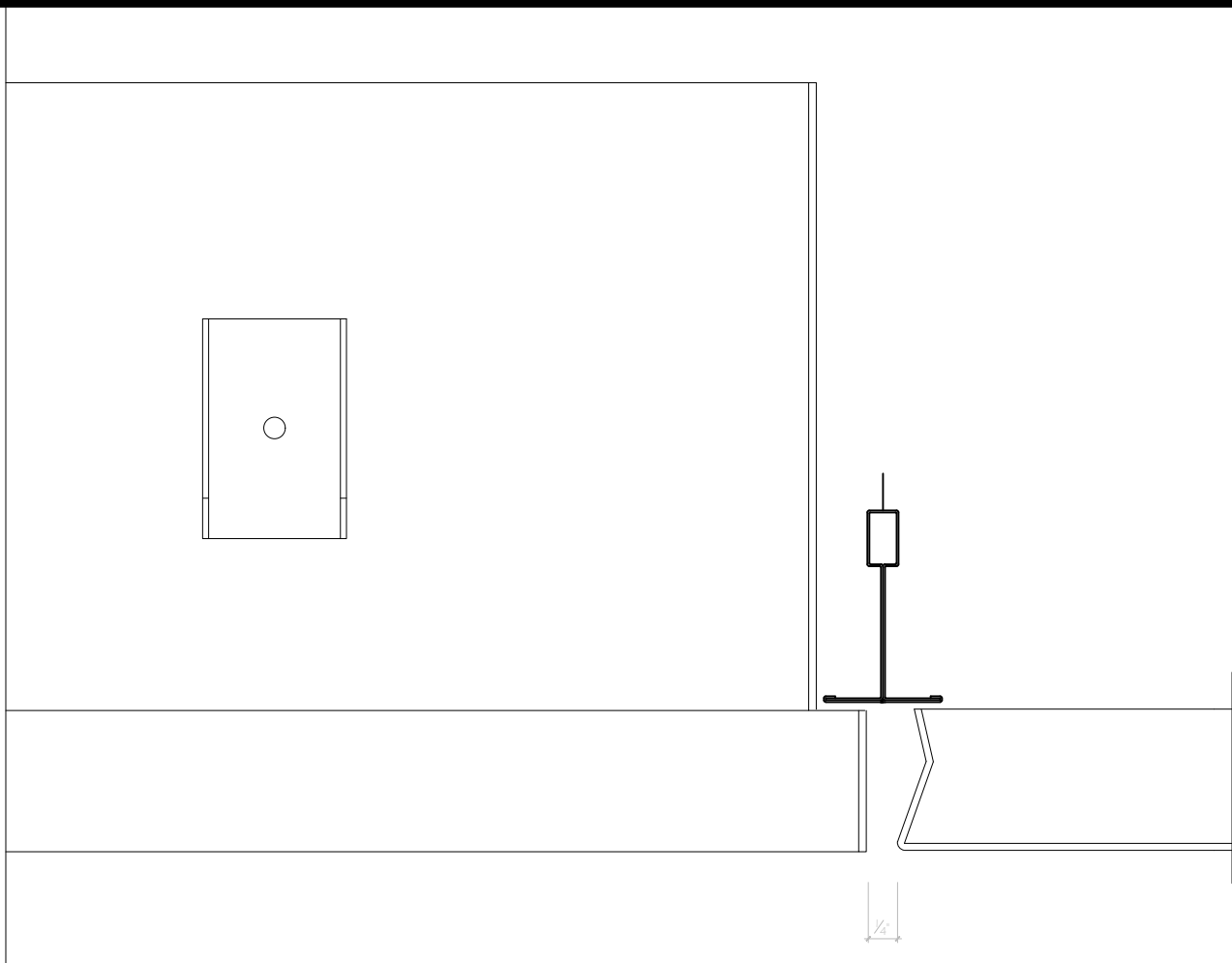
HunterDouglas 
 Ceiling & Wall Products
 exclusively from CertainTeed

Techstyle[®]
 Acoustical Ceilings

11500 E. 53rd Ave, Suite D
 Denver, CO 80239
 T 866.556.1235
 F 720.872.7850
 CTSpecialtyCeilings.com

All rights reserved. This drawing is the property of CertainTeed. It may not be copied or multiplied, neither wholly nor partly. It may not be submitted for perusal to third parties.

**LINEAR INTEGRATED
 LIGHT FIXTURE**



F.1.2

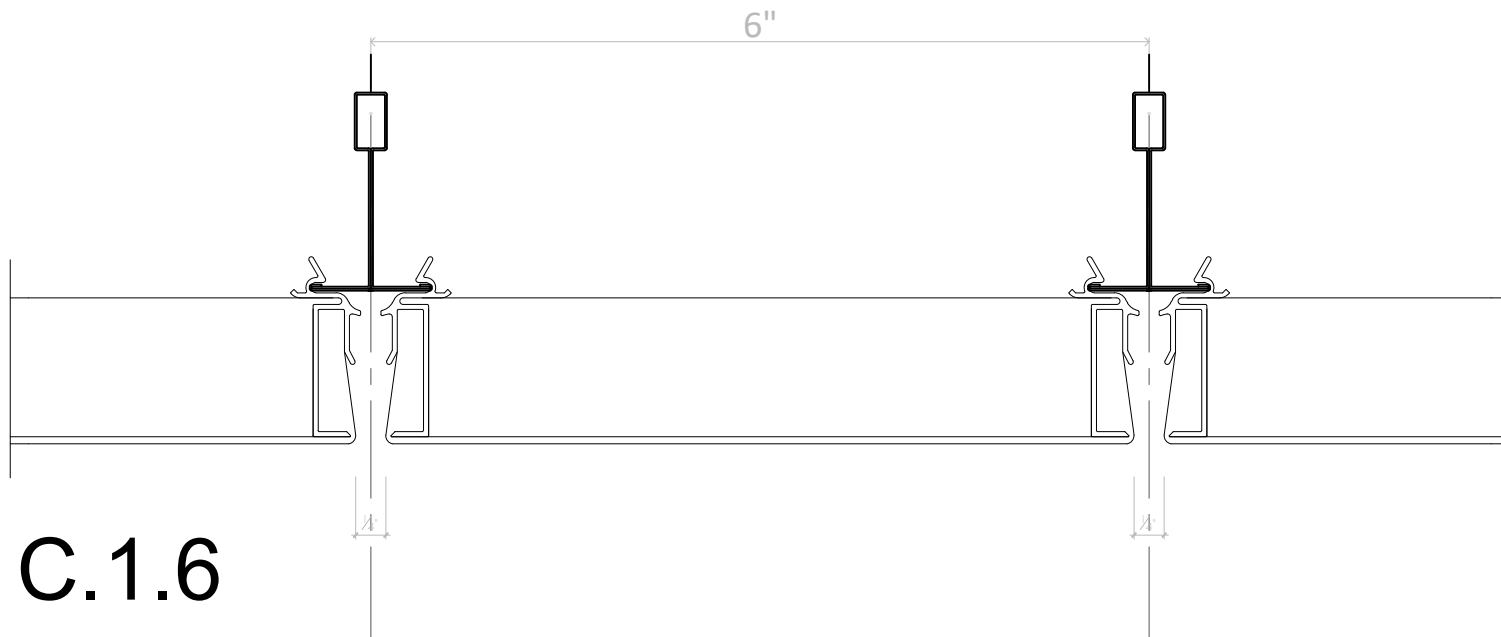
HunterDouglas 
Ceiling & Wall Products
exclusively from CertainTeed

Techstyle[®]
Acoustical Ceilings

11500 E. 53rd Ave, Suite D
Denver, CO 80239
T 866.556.1235
F 720.872.7850
CTSpecialtyCeilings.com

All rights reserved. This drawing is the property of CertainTeed. It may not be copied or multiplied, neither wholly nor partly. It may not be submitted for perusal to third parties.

**LINEAR INTEGRATED
LIGHT FIXTURE**



C.1.6

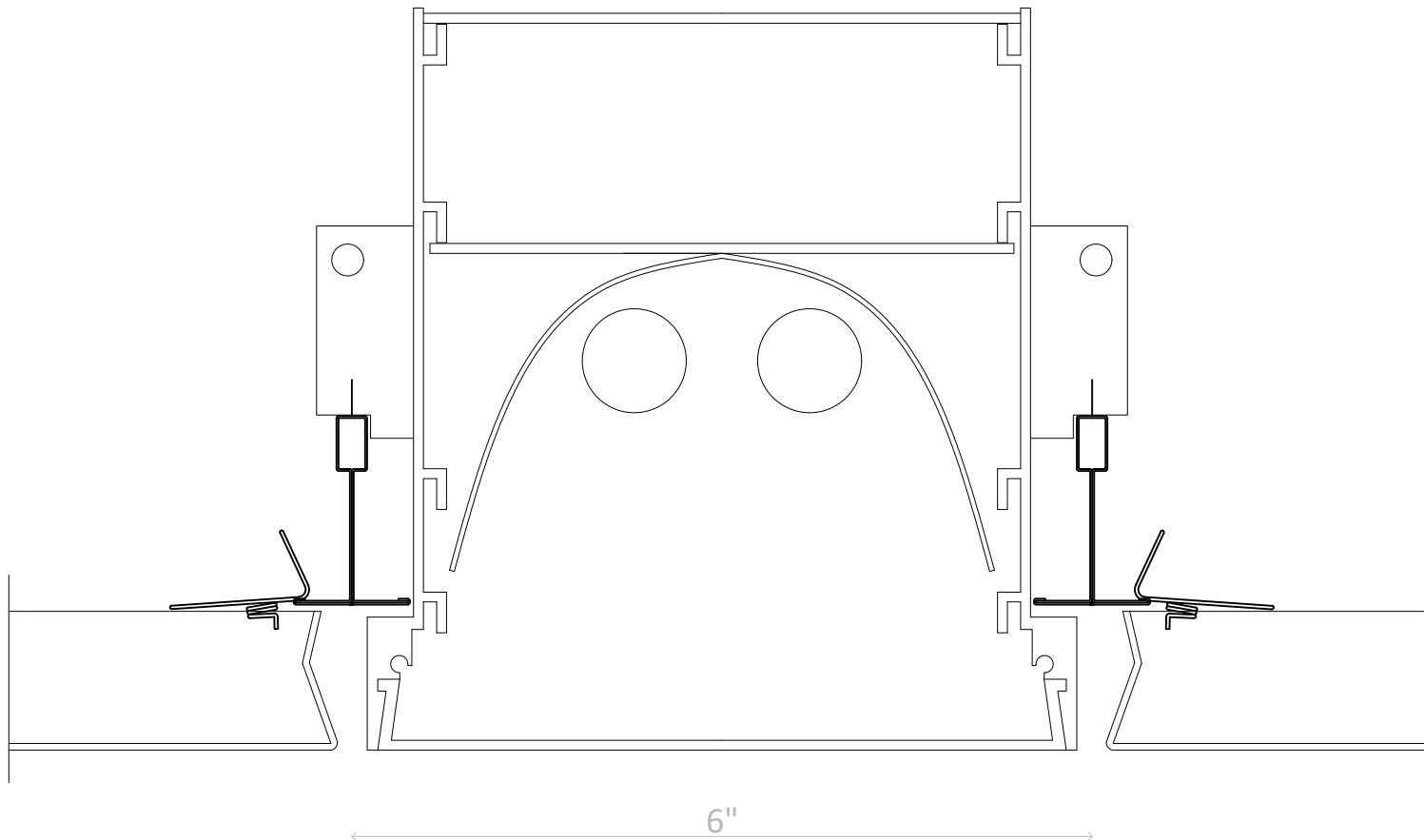
HunterDouglas 
 Ceiling & Wall Products
 exclusively from CertainTeed

Techstyle[®]
 Acoustical Ceilings

11500 E. 53rd Ave, Suite D
 Denver, CO 80239
 T 866.556.1235
 F 720.872.7850
 CTSpecialtyCeilings.com

All rights reserved. This drawing is the property of CertainTeed. It may not be copied or multiplied, neither wholly nor partly. It may not be submitted for perusal to third parties.

6" INFILL PANEL



F.1.8

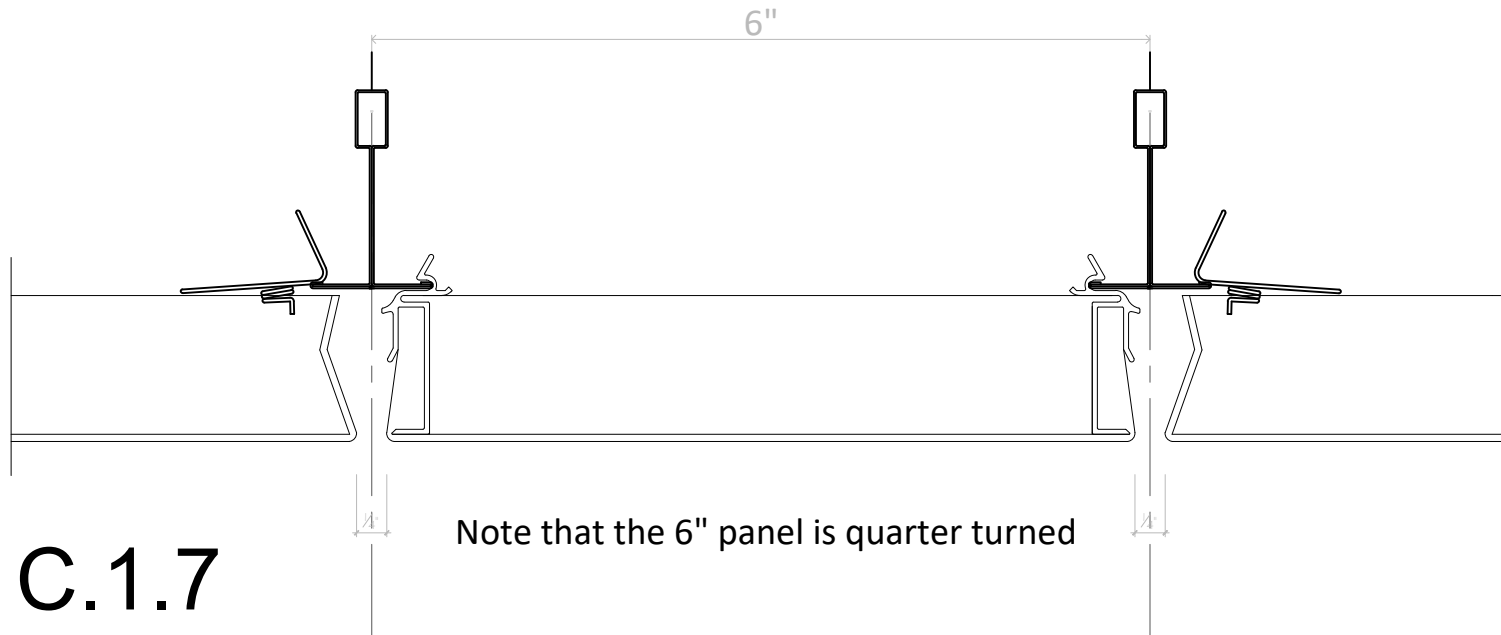
HunterDouglas 
Ceiling & Wall Products
exclusively from CertainTeed

Techstyle[®]
Acoustical Ceilings

11500 E. 53rd Ave, Suite D
Denver, CO 80239
T 866.556.1235
F 720.872.7850
CTSpecialtyCeilings.com

All rights reserved. This drawing is the property of CertainTeed. It may not be copied or multiplied, neither wholly nor partly. It may not be submitted for perusal to third parties.

LINEAR INTEGRATED
LIGHT FIXTURE
PERPENDICULAR TO
SWING DOWN



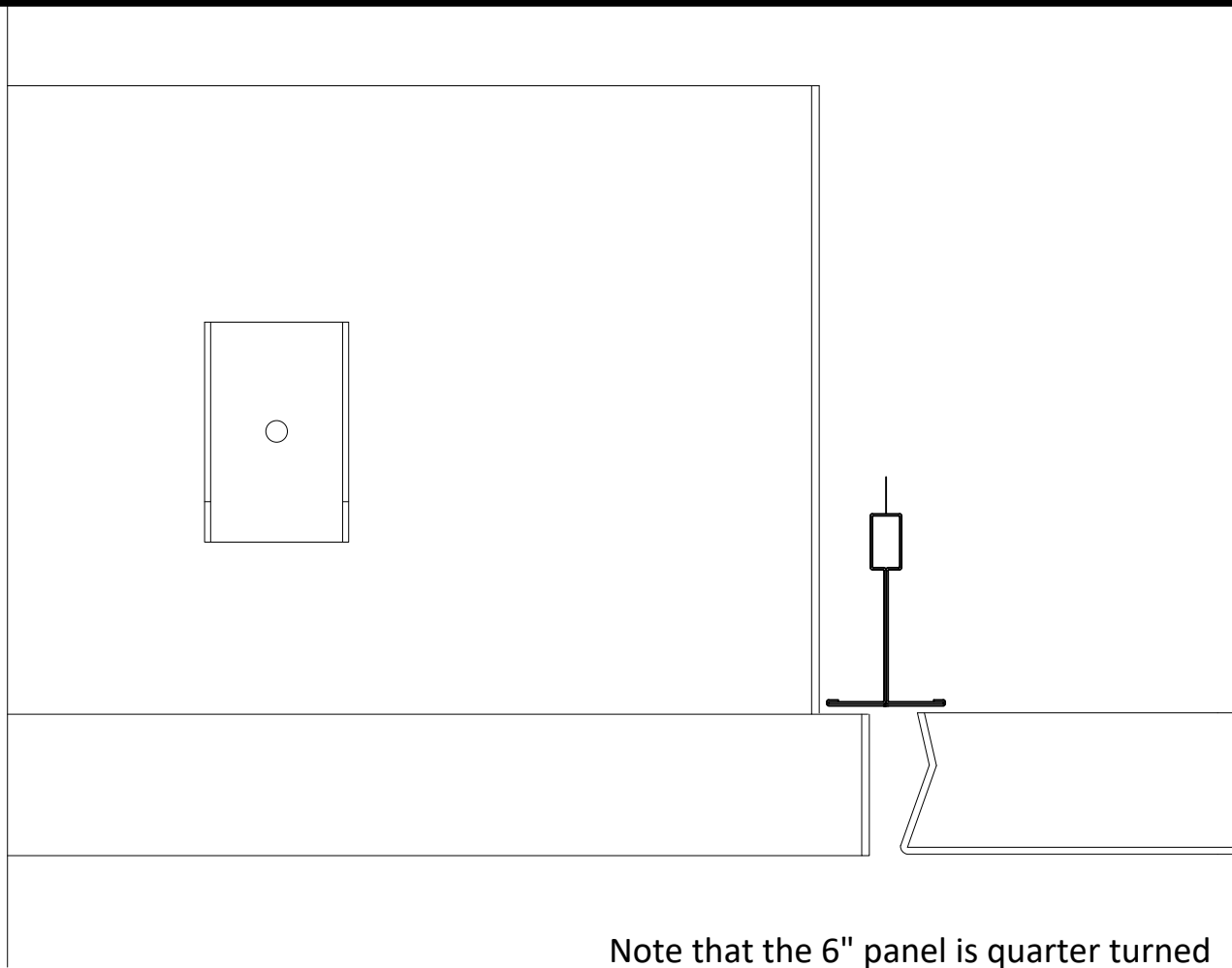
HunterDouglas 
 Ceiling & Wall Products
 exclusively from CertainTeed

Techstyle[®]
 Acoustical Ceilings

11500 E. 53rd Ave, Suite D
 Denver, CO 80239
 T 866.556.1235
 F 720.872.7850
 CTSpecialtyCeilings.com

All rights reserved. This drawing is the property of CertainTeed. It may not be copied or multiplied, neither wholly nor partly. It may not be submitted for perusal to third parties.

**6" INFILL PANEL
 PERPENDICULAR TO SWING
 DOWN PANEL EDGE**



F.1.9

HunterDouglas 
 Ceiling & Wall Products
 exclusively from CertainTeed

Techstyle[®]
 Acoustical Ceilings

11500 E. 53rd Ave, Suite D
 Denver, CO 80239
 T 866.556.1235
 F 720.872.7850
 CTSpecialtyCeilings.com

All rights reserved. This drawing is the property of CertainTeed. It may not be copied or multiplied, neither wholly nor partly. It may not be submitted for perusal to third parties.

**LINEAR INTEGRATED
 LIGHT FIXTURE
 PERPENDICULAR TO
 SWING DOWN**