

F.2.1

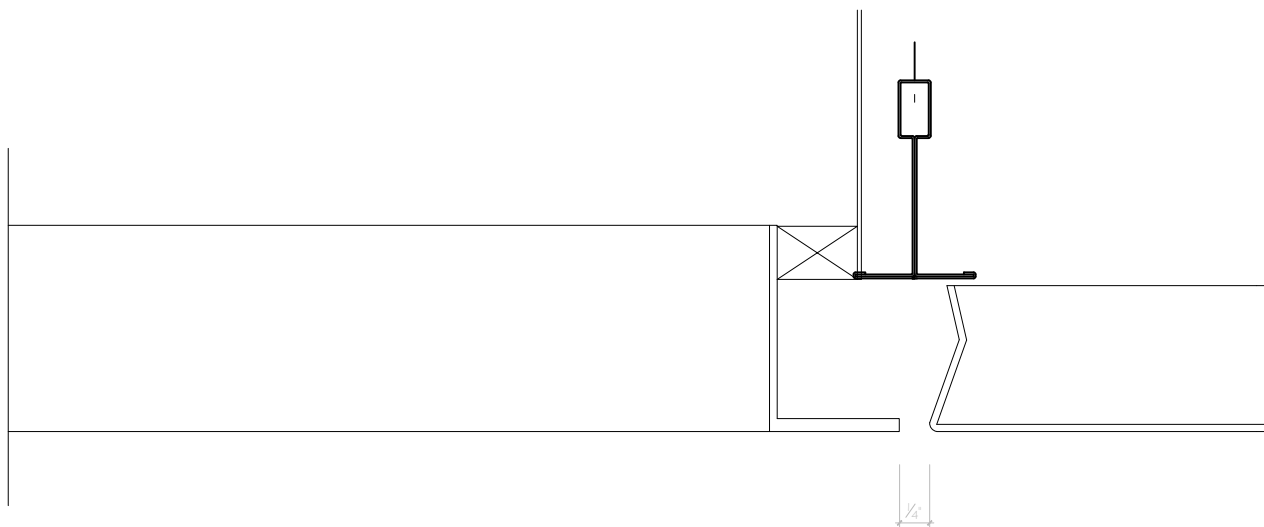
**HunterDouglas**   
Ceiling & Wall Products  
exclusively from CertainTeed

**Techstyle**<sup>®</sup>  
Acoustical Ceilings

11500 E. 53rd Ave, Suite D  
Denver, CO 80239  
T 866.556.1235  
F 720.872.7850  
CTSpecialtyCeilings.com

*All rights reserved. This drawing is the property of CertainTeed. It may not be copied or multiplied, neither wholly nor partly. It may not be submitted for perusal to third parties.*

**LINEAR INTEGRATED  
DIFFUSER**



F.2.2

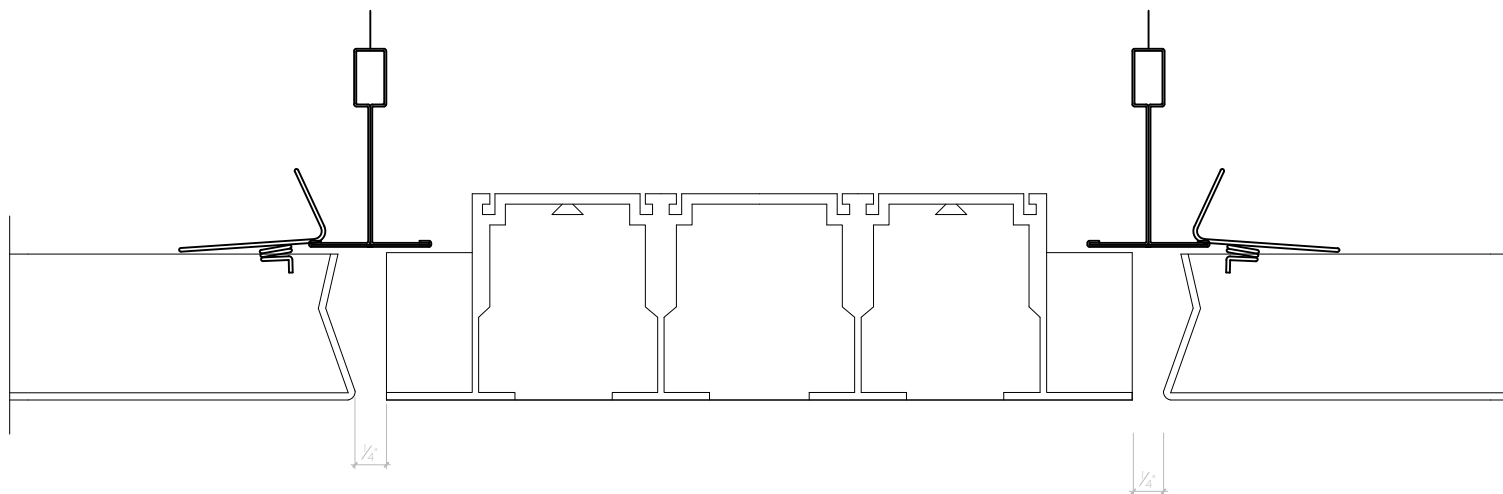
**HunterDouglas**   
Ceiling & Wall Products  
exclusively from CertainTeed

**Techstyle**<sup>®</sup>  
Acoustical Ceilings

11500 E. 53rd Ave, Suite D  
Denver, CO 80239  
T 866.556.1235  
F 720.872.7850  
CTSpecialtyCeilings.com

*All rights reserved. This drawing is the property of CertainTeed. It may not be copied or multiplied, neither wholly nor partly. It may not be submitted for perusal to third parties.*

**LINEAR INTEGRATED  
DIFFUSER**



F.2.6

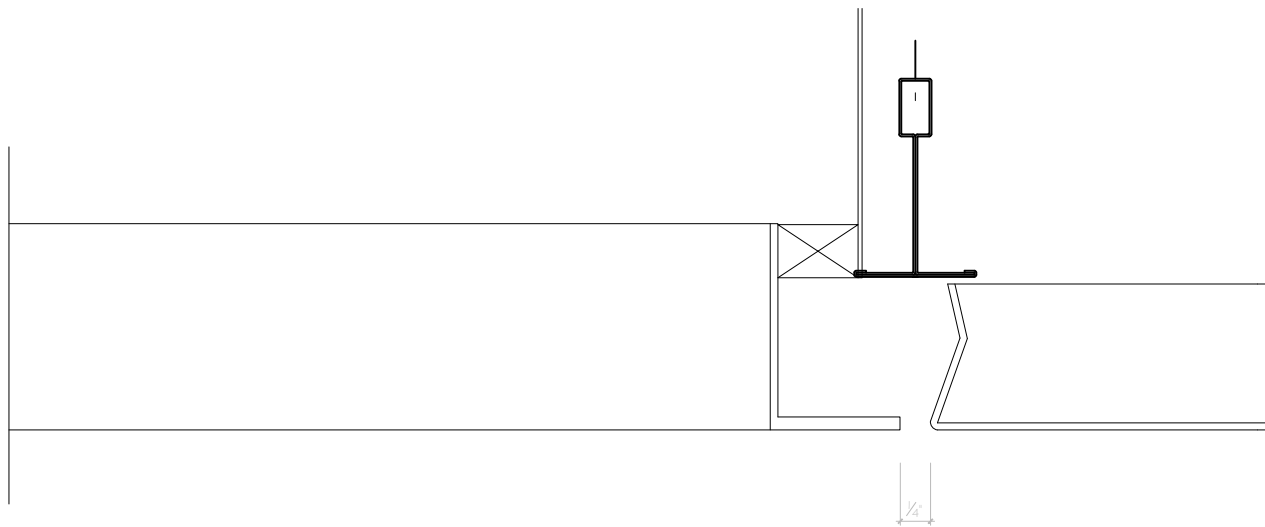
**HunterDouglas**   
Ceiling & Wall Products  
exclusively from CertainTeed

**Techstyle**<sup>®</sup>  
Acoustical Ceilings

11500 E. 53rd Ave, Suite D  
Denver, CO 80239  
T 866.556.1235  
F 720.872.7850  
CTSpecialtyCeilings.com

*All rights reserved. This drawing is the property of CertainTeed. It may not be copied or multiplied, neither wholly nor partly. It may not be submitted for perusal to third parties.*

**LINEAR INTEGRATED  
DIFFUSER  
PERPENDICULAR TO  
SWING DOWN**



F.2.7

Note that the 6" panel is quarter turned

**HunterDouglas**   
Ceiling & Wall Products  
exclusively from CertainTeed

**Techstyle**<sup>®</sup>  
Acoustical Ceilings

11500 E. 53rd Ave, Suite D  
Denver, CO 80239  
T 866.556.1235  
F 720.872.7850  
CTSpecialtyCeilings.com

*All rights reserved. This drawing is the property of CertainTeed. It may not be copied or multiplied, neither wholly nor partly. It may not be submitted for perusal to third parties.*

**LINEAR INTEGRAED  
DIFFUSER  
PERPENDICULAR TO  
SWING DOWN**



C.1.6

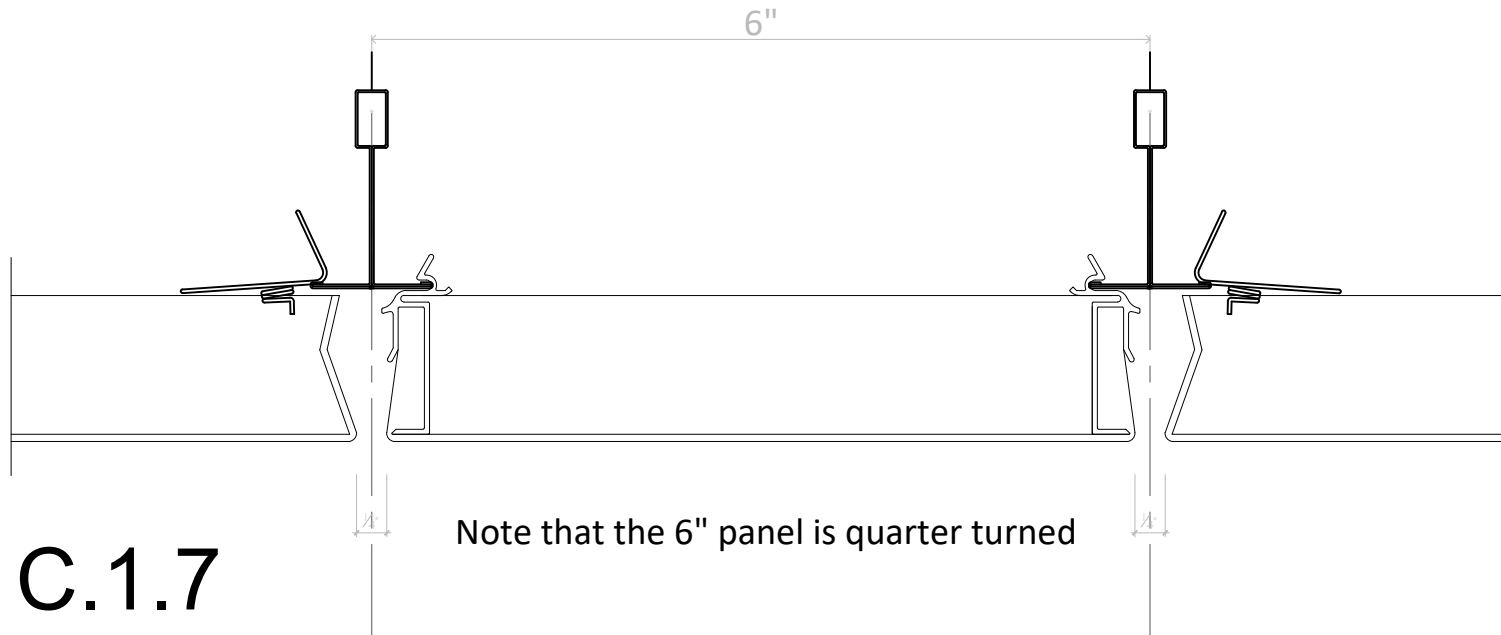
**HunterDouglas**   
 Ceiling & Wall Products  
 exclusively from CertainTeed

**Techstyle**<sup>®</sup>  
 Acoustical Ceilings

11500 E. 53rd Ave, Suite D  
 Denver, CO 80239  
 T 866.556.1235  
 F 720.872.7850  
 CTSpecialtyCeilings.com

*All rights reserved. This drawing is the property of CertainTeed. It may not be copied or multiplied, neither wholly nor partly. It may not be submitted for perusal to third parties.*

**6" INFILL PANEL**



C.1.7

**HunterDouglas**   
 Ceiling & Wall Products  
 exclusively from CertainTeed

**Techstyle**<sup>®</sup>  
 Acoustical Ceilings

11500 E. 53rd Ave, Suite D  
 Denver, CO 80239  
 T 866.556.1235  
 F 720.872.7850  
 CTSpecialtyCeilings.com

*All rights reserved. This drawing is the property of CertainTeed. It may not be copied or multiplied, neither wholly nor partly. It may not be submitted for perusal to third parties.*

**6" INFILL PANEL  
 PERPENDICULAR TO SWING  
 DOWN PANEL EDGE**