

L.1.1

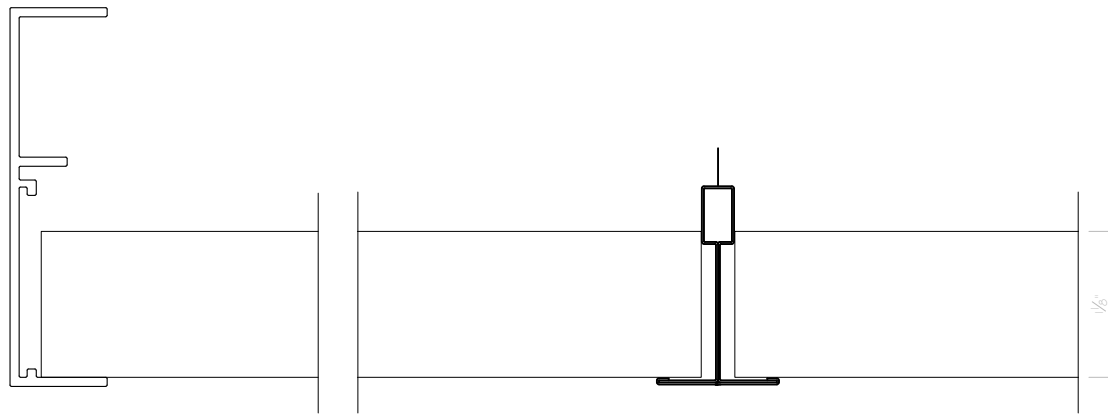
**HunterDouglas**   
Ceiling & Wall Products  
exclusively from CertainTeed

**Techstyle**<sup>®</sup>  
Acoustical Ceilings

11500 E. 53rd Ave, Suite D  
Denver, CO 80239  
T 866.556.1235  
F 720.872.7850  
CTSpecialtyCeilings.com

*All rights reserved. This drawing is the property of CertainTeed. It may not be copied or multiplied, neither wholly nor partly. It may not be submitted for perusal to third parties.*

**LAY-IN WALL TRIM**



## L.1.2

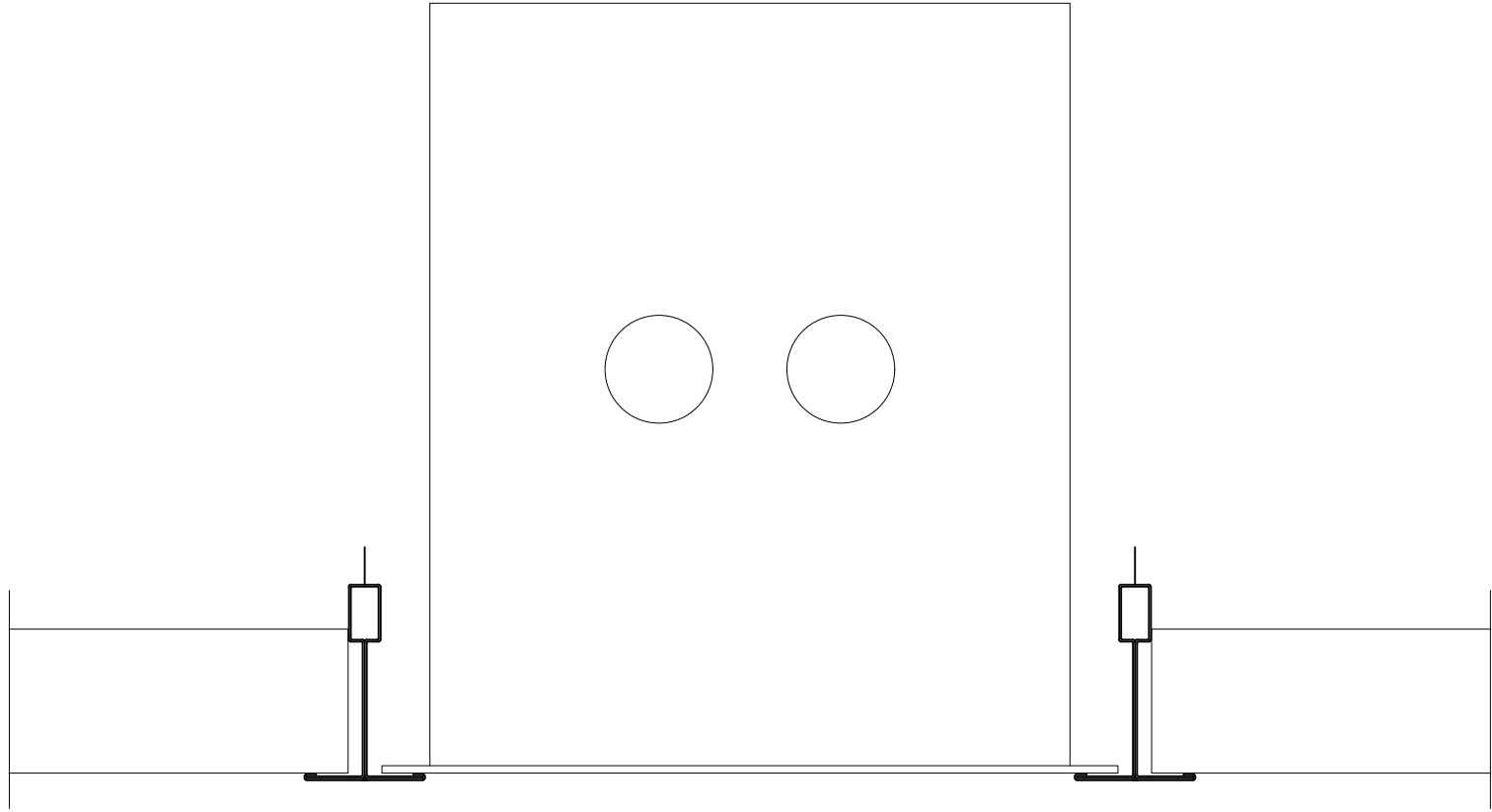
**HunterDouglas**   
Ceiling & Wall Products  
exclusively from CertainTeed

**Techstyle**<sup>®</sup>  
Acoustical Ceilings

11500 E. 53rd Ave, Suite D  
Denver, CO 80239  
T 866.556.1235  
F 720.872.7850  
CTSpecialtyCeilings.com

*All rights reserved. This drawing is the property of CertainTeed. It may not be copied or multiplied, neither wholly nor partly. It may not be submitted for perusal to third parties.*

**LAY-IN FLOATING TRIM**



L.1.3

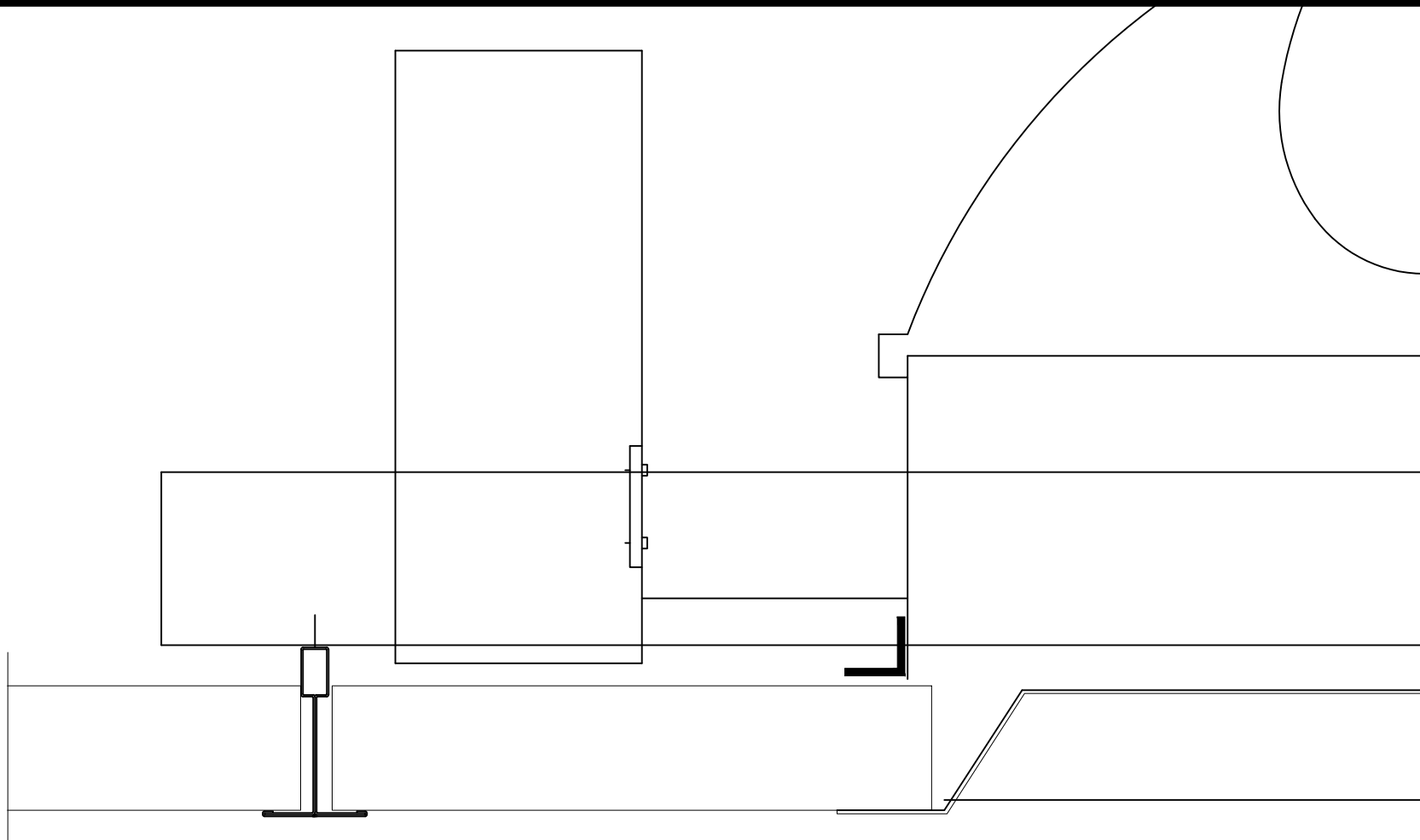
**HunterDouglas**   
Ceiling & Wall Products  
exclusively from CertainTeed

**Techstyle**<sup>®</sup>  
Acoustical Ceilings

11500 E. 53rd Ave, Suite D  
Denver, CO 80239  
T 866.556.1235  
F 720.872.7850  
CTSpecialtyCeilings.com

*All rights reserved. This drawing is the property of CertainTeed. It may not be copied or multiplied, neither wholly nor partly. It may not be submitted for perusal to third parties.*

**LAY-IN LIGHT FIXTURE**



L.1.4

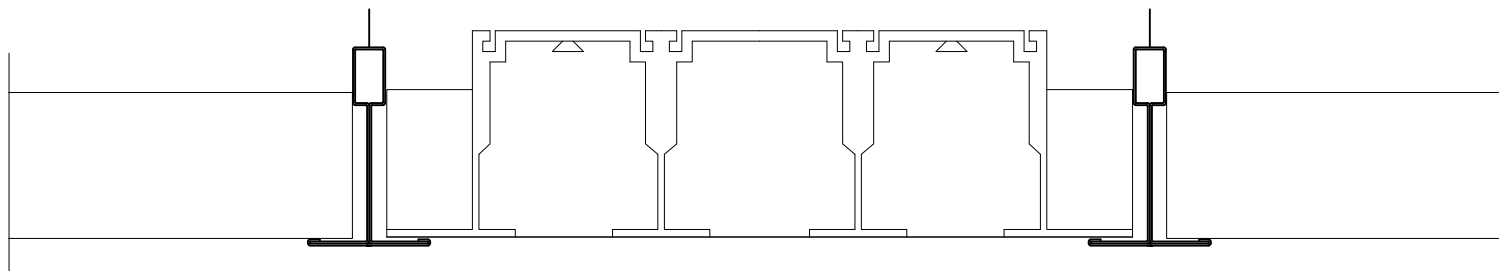
**HunterDouglas**   
Ceiling & Wall Products  
exclusively from CertainTeed

**Techstyle**<sup>®</sup>  
Acoustical Ceilings

11500 E. 53rd Ave, Suite D  
Denver, CO 80239  
T 866.556.1235  
F 720.872.7850  
CTSpecialtyCeilings.com

*All rights reserved. This drawing is the property of CertainTeed. It may not be copied or multiplied, neither wholly nor partly. It may not be submitted for perusal to third parties.*

LAY-IN PANEL WITH  
LIGHT



L.1.5

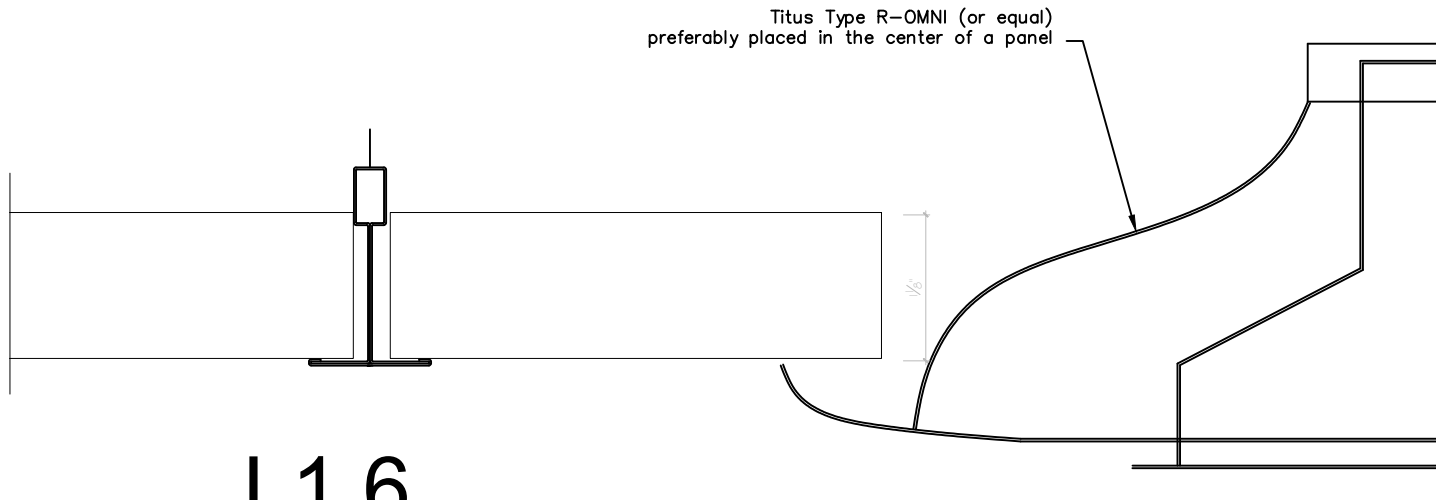
**HunterDouglas**   
Ceiling & Wall Products  
exclusively from CertainTeed

**Techstyle**<sup>®</sup>  
Acoustical Ceilings

11500 E. 53rd Ave, Suite D  
Denver, CO 80239  
T 866.556.1235  
F 720.872.7850  
CTSpecialtyCeilings.com

*All rights reserved. This drawing is the property of CertainTeed. It may not be copied or multiplied, neither wholly nor partly. It may not be submitted for perusal to third parties.*

LAY-IN LINEAR DIFFUSER



L1.6

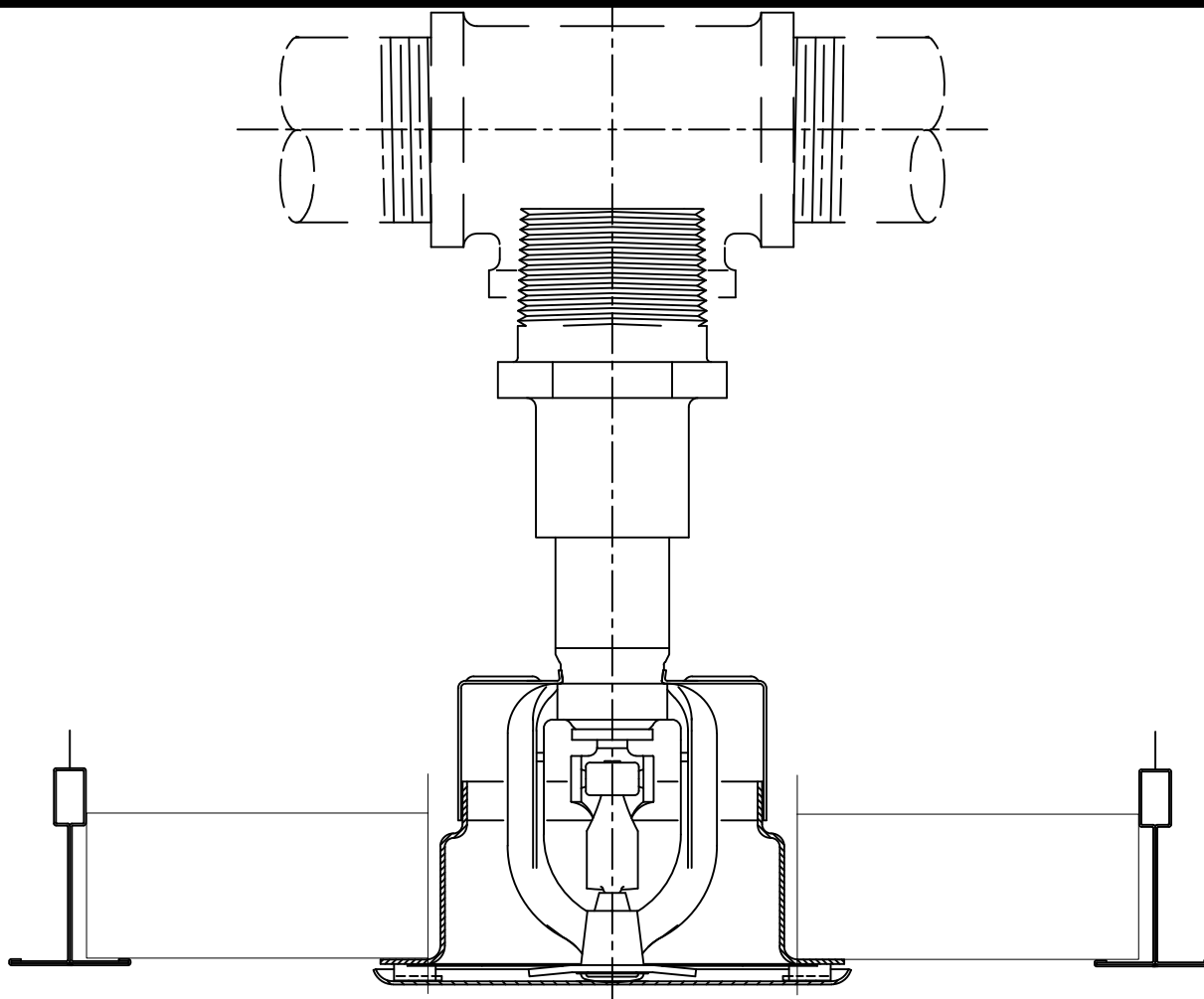
**HunterDouglas**   
Ceiling & Wall Products  
exclusively from CertainTeed

**Techstyle**<sup>®</sup>  
Acoustical Ceilings

11500 E. 53rd Ave, Suite D  
Denver, CO 80239  
T 866.556.1235  
F 720.872.7850  
CTSpecialtyCeilings.com

*All rights reserved. This drawing is the property of CertainTeed. It may not be copied or multiplied, neither wholly nor partly. It may not be submitted for perusal to third parties.*

LAY-IN PANEL WITH  
ROUND DIFFUSER



L.1.7

**HunterDouglas**   
Ceiling & Wall Products  
exclusively from CertainTeed

**Techstyle**<sup>®</sup>  
Acoustical Ceilings

11500 E. 53rd Ave, Suite D  
Denver, CO 80239  
T 866.556.1235  
F 720.872.7850  
CTSpecialtyCeilings.com

*All rights reserved. This drawing is the property of CertainTeed. It may not be copied or multiplied, neither wholly nor partly. It may not be submitted for perusal to third parties.*

LAY-IN PANEL WITH  
SPRINKLER