

Gyptone® BIG™

Installation Manual

with CertainTeed metric Drywall Suspension System

DESIGN AND SPECIFICATIONS

Use of the Product

Gyptone BIG is a large-format, perforated gypsum acoustical panel that allows the creation of wall and ceiling surfaces without visible joints or breaks. Gyptone BIG is accessible through the use of Gyptone Access Panels.

Overall Depth of System

Minimum plenum height with CertainTeed Drywall Grid System is 5-inches.

Surfaces

The gypsum surface is intended to be painted after installation. Paint application must be made with a short nap roller (1/4" recommended). **DO NOT SPRAY PAINT PANELS AS IT WILL SUBSTANTIALLY IMPAIR THE ACOUSTIC PERFORMANCE.** Joints should be taped, finished, and sanded. See page 3 for additional information.

Suspension System

Gyptone BIG is typically installed on a CertainTeed 1-1/2" Drywall Suspension System in accordance with this installation manual.

Loading

Maximum load is 4.0 pounds/S.F. If higher loading is required, refer to ICC-ES ESR 3336 section 4.3.

Stability

Gyptone BIG is to be installed and used in rooms with relative humidity not exceeding 70% or temperatures exceeding 104 degrees F. Gyptone BIG can be curved (dry) to a maximum 20-foot radius if installed on pre-shaped framing.

Weight

Gyptone BIG products ≈ 1.6 lbs./SF

Cleaning

Can be cleaned with a damp cloth depending on the final surface treatment. Do not use detergents.

Maintenance

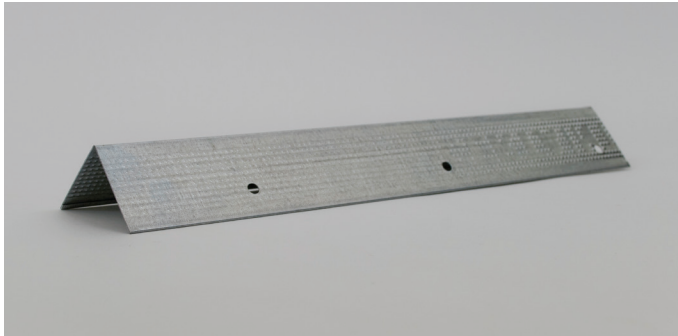
Damages on edges or surfaces can be repaired by filling with joint compound and painting (except perforated areas which may not be repairable).

Access Panels

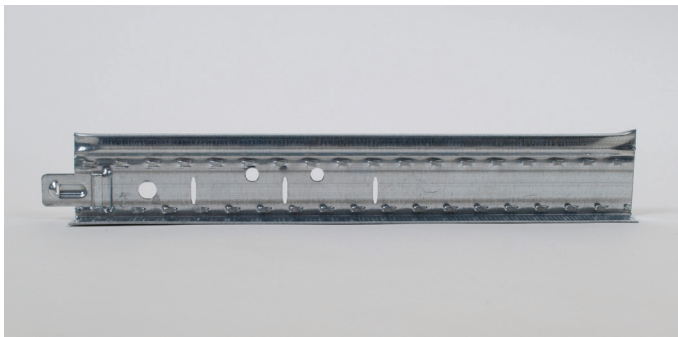
Use Gyptone Access Panels for seamless access to the plenum. (Applicable only to Gyptone BIG Line 6, BIG Quattro 41, BIG Quattro 46, BIG Sixto 63).

Installation of metal framing (CTA Drywall Grid System / metric) and Gyptone® BIG™ Boards

Read the entire manual before installing.

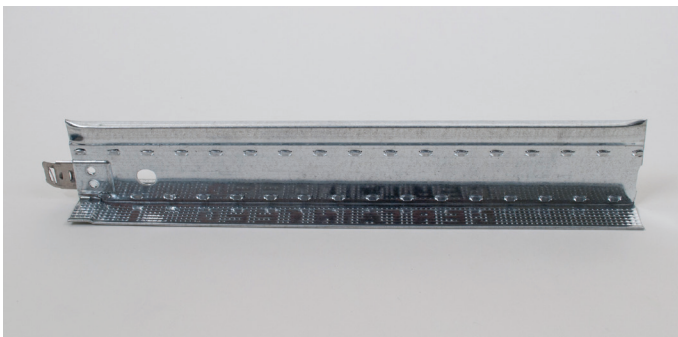


Fix the DWA1.5-15 (or DWA2-2) Wall Angle to wall with appropriate fasteners spaced approximately every 16-inches.



Conduct a survey of the room. Plan for positioning of metal framing, ceiling boards and a potential perimeter.

Locate and suspend suspension hangers for main runners (DWS3600MM-13-20) / 1200mm (≈4-ft) or 900 (≈3-ft) O.C. main runner spacing (determined by the BIG Board width / 1200mm or 900mm)

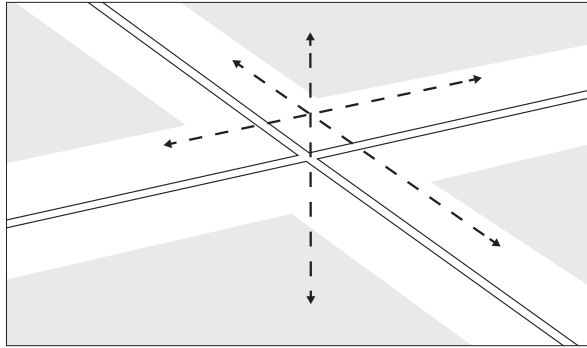
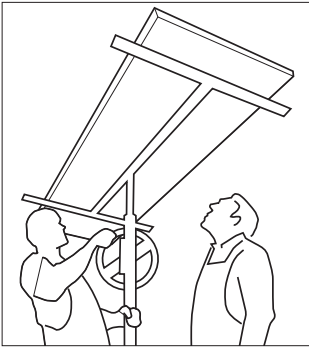


Position first suspension hanger no farther than 6-inches from the wall.

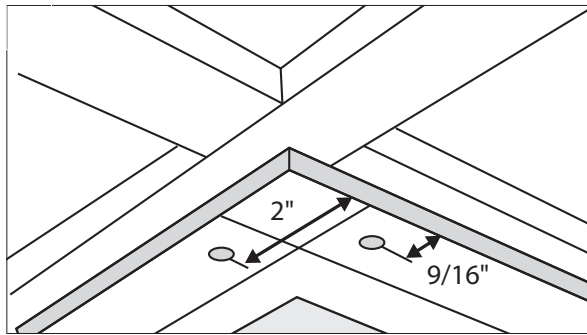
Begin constructing Drywall Grid field using 1200mm cross tees (DWS1200MM-13-20) spaced 600mm (≈2-ft) apart or 900mm cross tees (DWS900MM-13-20) spaced 450mm (≈18-inches) apart. (determined by BIG Board width / 1200mm or 900mm)

Use available CertainTeed Drywall Grid components to frame for HVAC diffusers and integrated light fixtures. Refer to the "**CertainTeed Drywall Suspension System Technical Guide**" available online at www.certainteed.com/ceilings-and-walls

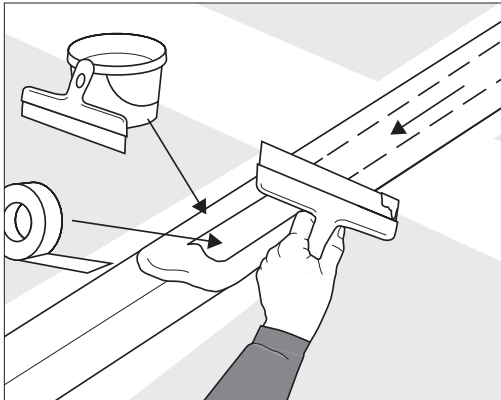
Installation of metal framing (CTA Drywall Grid System / metric) and Gyptone® BIG™ Boards



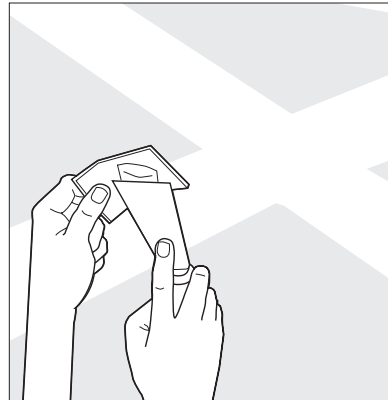
Install Gyptone BIG by using appropriate lifting equipment and fix to CertainTeed Drywall Grid with appropriate drywall screws. Use Gyptone QSTR 25 screws whenever fixing is necessary within the confines of any Gyptone BIG Boards perforated area.



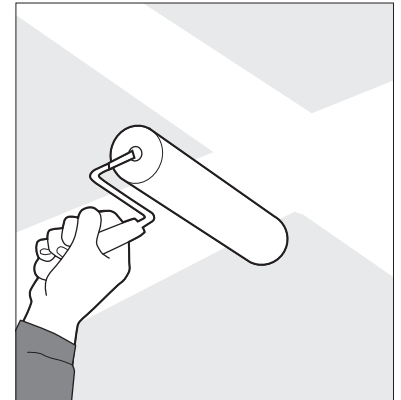
Distance from screw to corner is 2"
Screws are no closer to the board edge than 9/16"
Screw spacing is 8" on perimeter of BIG Boards
Screw spacing across BIG Boards is 12"



All board joints are to be filled with adequate joint compound. First, apply a layer of CertainTeed All-Purpose Joint Compound (or equivalent) in the tapered section. Next, add Marco Spark-Perf Paper Tape (or equivalent) in the wet compound. Lightly sand (100-200 grit) when cured. Apply a layer of CertainTeed All-Purpose Joint Compound (or equivalent). When cured, lightly sand until level with board.



Fill screw heads with CertainTeed All-Purpose Joint Compound (or equivalent) in two rounds finished by light sanding until level. Tip: Use a piece of plastic with a circular hole as a mold.



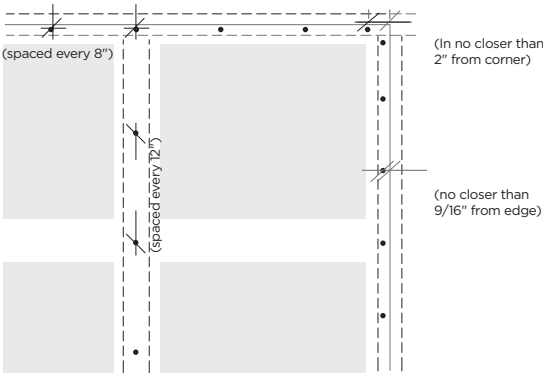
Paint Gyptone BIG with a 1/4" nap roller to avoid excessive paint into perforations. **DO NOT SPRAY PAINT BIG BOARD.** Gyptone BIG Boards is typically prime-painted once and finish-painted twice.

Installation of metal framing (CTA Drywall Grid System / metric) and Gyptone® BIG™ Boards

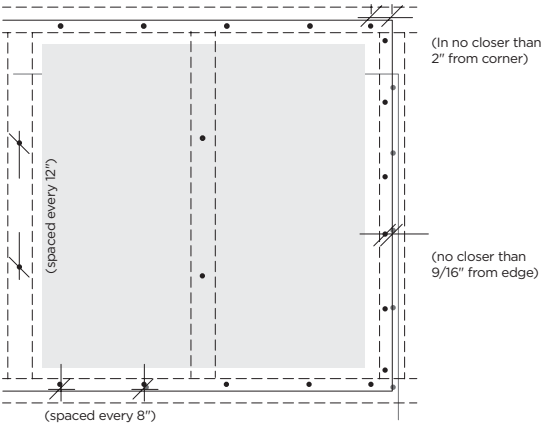
Positioning of screws for 1200x2400 mm or 900x2700mm Gyptone BIG Boards

(Pre-drill and use QSTR25 screws when fixing within the perforated area. All other screw fixing is by standard drywall screws and no pre-drilling is necessary)

Screw attachment for 1200 x 2400 modules



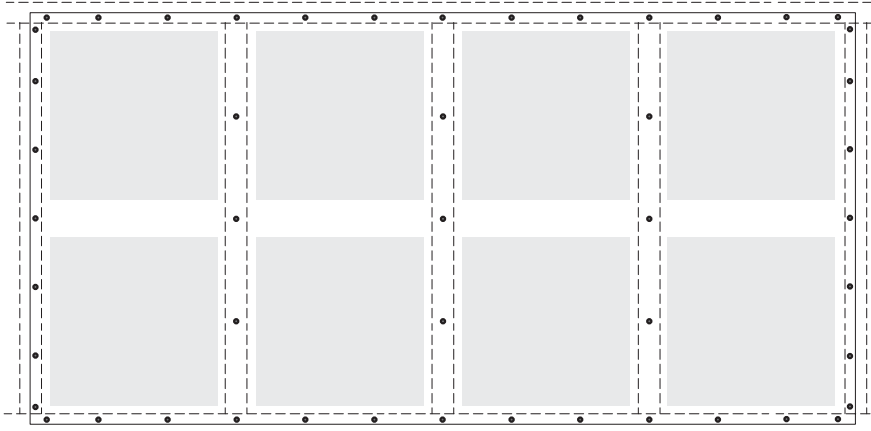
Screw attachment for 900 x 2700 modules



1200 x 2400 Module

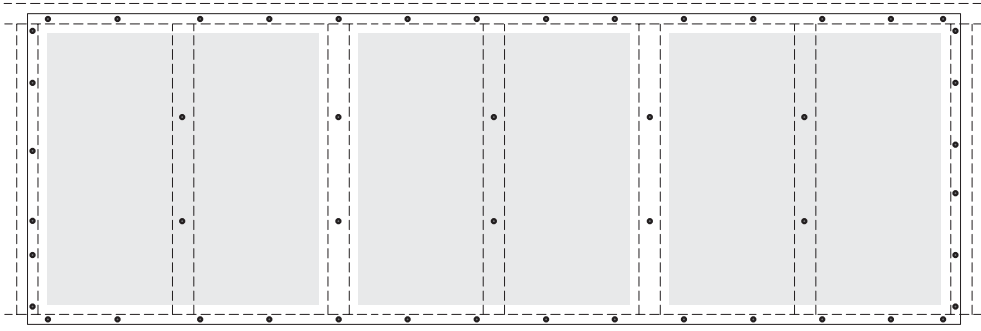
Main Runners installed 1200mm on-center (≈47.25").
 1200mm cross tees installed every 600mm (≈17.75").

NOTE SCREW FREQUENCY ON EACH DIAGRAM

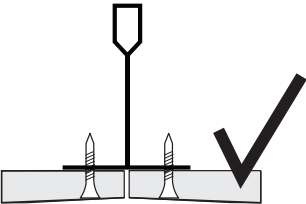


900 x 2700 Module

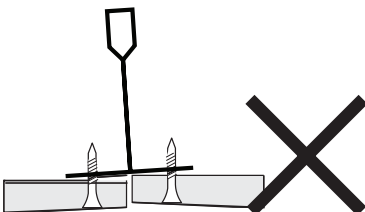
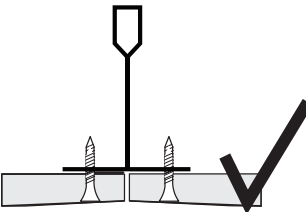
Main Runners installed 900mm on-center (≈35.5").
 900mm cross tees installed every 450mm (≈17.75").



Installation of metal framing (CTA Drywall Grid System / metric)
and Gyptone® BIG™ Boards

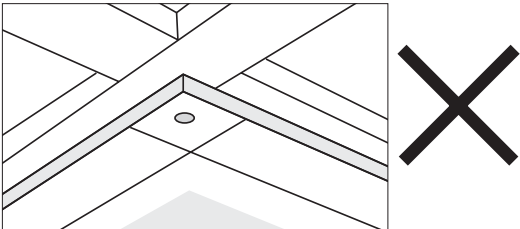
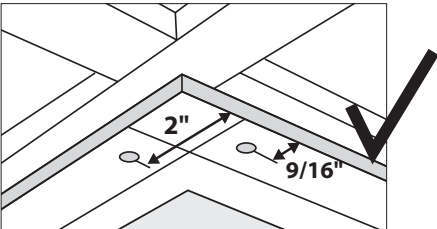


Board Support

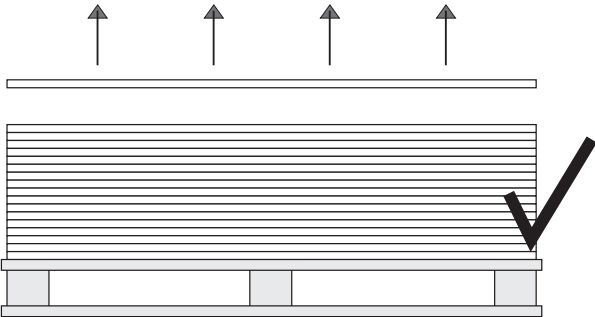


100% Support

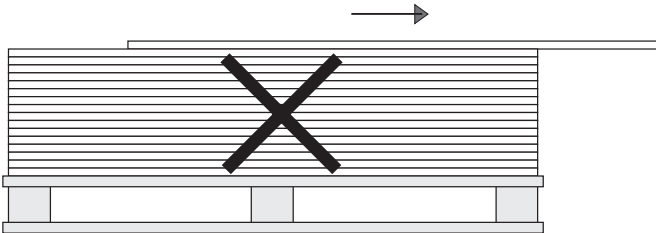
Positioning of Screws



Gyptone BIG Boards are to be lifted vertically off the stack



Note: Do not slide panels as damage to acoustic tissue will likely result.



Installation of metal framing (CTA Drywall Grid System / metric) and Gyptone® BIG™ Boards

1200 x 2400mm (≈47.25 x 94.5") boards

Estimated consumption of CTA Drywall Grid System.

Article	Item Number	Approximate Consumption Estimate
1. Main Runner	DWS3600MM-13-20 G40	Total SF/4 ≈ linear feet (LF) of MR
2. Cross Tee / 1200mm	DWS1200MM-13-20 G40	LF of MR/2 ≈ pieces of 1200 CT
3. Cross Tee / 600mm	DWS600MM-13-20 G40	As required
4. Wall Angle	DWS1.5-1.5 G40	As required
5. QSTR 25 Screw	5200412717	As required in perforated area

900 x 2700 Gyptone BIG SIXTO 65

Estimated consumption of CTA Drywall Grid System.

Article	Item Number	Approximate Consumption Estimate
1. Main Runner	DWS3600MM-13-20 G40	Total SF/3 ≈ linear feet (LF) of MR
2. Cross Tee / 900mm	DWS900MM-13-20 G40	LF of MR/1.5 ≈ pieces of 900 CT
3. Wall Angle	DWS1.5-1.5 G40	As required
4. QSTR 25 Screw	5200412717	As required in perforated area

Installation of metal framing (CTA Drywall Grid System / metric) and Gyptone® BIG™ Boards

Gyptone® BIG™ Boards / components

Product	Item Number	Nominal Length/Size	Pieces per Carton or Pallet	LF/SF per Carton or Pallet	Weight per Carton or Pallet (lbs.)
Gyptone BIG / Quattro 41	5200605090	1200x2400mm (≈4'x8')	20	≈620 S.F.	956
Gyptone BIG / Quattro 46	5200545666	1200x2400mm (≈4'x8')	20	≈620 S.F.	956
Gyptone BIG / Sixto 63	5200545808	1200x2400mm (≈4'x8')	20	≈620 S.F.	956
Gyptone BIG / Sixto 65	5200607125	900x2700mm (≈3'x9')	20	≈523 S.F.	900
Gyptone BIG / Line 6	5200545555	1200x2400mm (≈4'x8')	20	≈620 S.F.	956
1-1/2" Drywall System Main Runner / Metric	DWS3600MM-13-20 G40	1200x2400mm (≈11' 10")	16	≈189 S.F.	61
1-1/2" Drywall System Cross Tee / 1200mm	DWS1200MM-13-20 G40	3600mm (≈47.25')	48	≈189 S.F.	61
1-1/2" Drywall System Cross Tee / 900mm	DWS900MM-13-20 G40	900mm (≈35.5')	48	≈142 S.F.	47
1-1/2" Drywall System Cross Tee / 600mm	DWS600MM-13-20 G40	600mm (≈23.5')	48	≈94 S.F.	34
1-1/2" Drywall System Wall Angle / 1.5"	DWA1.5-1.5	12-ft	20	240 L.F.	59
1-1/2" Drywall System Wall Angle / 2.0"	DWA2-2	12-ft	20	240 L.F.	59
QSTR Gyptone BIG Screws	5200412717	≈1.0"	1000	N/A	3
L-Bracket	LBRC	≈2.25" x 2.25"	200	N/A	15
Splice Clip	DWSC	≈3.9" x 1.1"	200	N/A	9

More information can be found on www.certainteed.com/ceilings-and-walls



CertainTeed ARCHITECTURAL

METAL • WOOD • FELT • FIBERGLASS & MINERAL FIBER • GYPSUM • SUSPENSION & INTEGRATED SYSTEMS
20 Moores Road, Malvern, PA 19355 800-233-8990 CertainTeed.com/Architectural