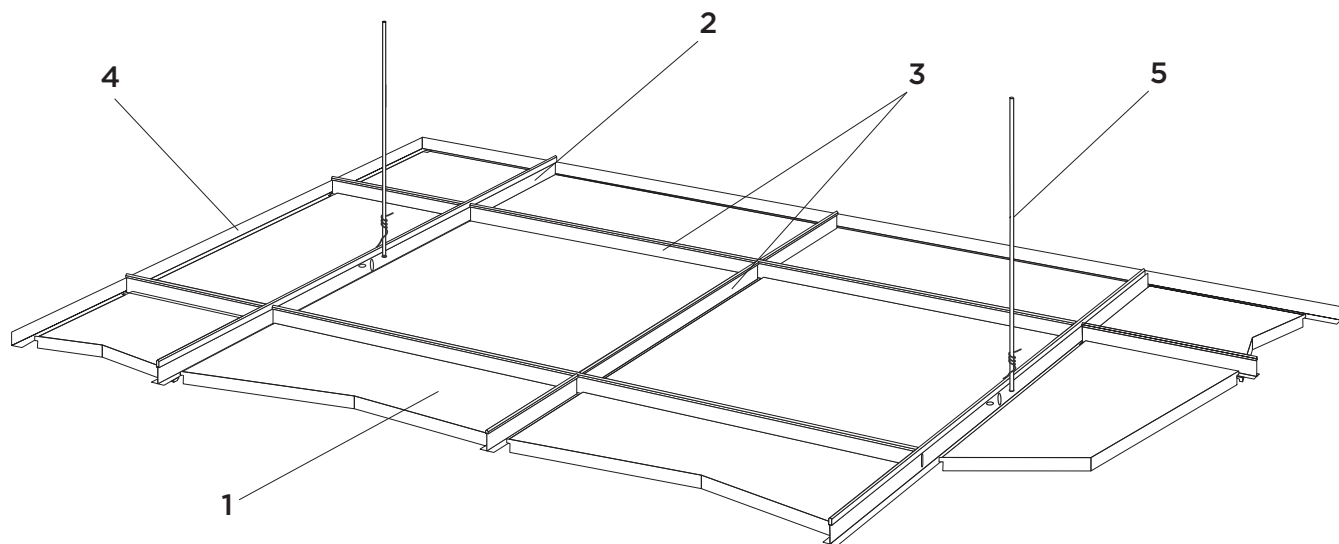


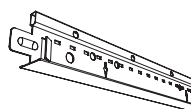
# Gyptone<sup>®</sup> Base 31,<sup>™</sup> Line 4,<sup>™</sup> Point 11,<sup>™</sup> Quattro 20,<sup>™</sup> Sixto 60<sup>™</sup> Installation Manual

---

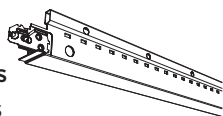


1. Gyptone Panels (2'x2')

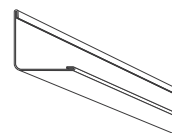
2. CTA 15/16" EZ Stab Classic  
Main Runners (for Trim Edge)  
or CTA 9/16" EZ Stab Elite  
Main Runners (for Narrow Reveal Edge)



3. CTA 15/16" EZ Stab Classic Cross Tees  
or CTA 9/16" EZ Stab Elite Cross Tees



4. CertainTeed Architectural 7/8" or 9/16"  
Wall Angle, or Shadow Molding



5. 12 Gauge Hanger Wire

Wear clean white cotton gloves when handling Gyptone panels.

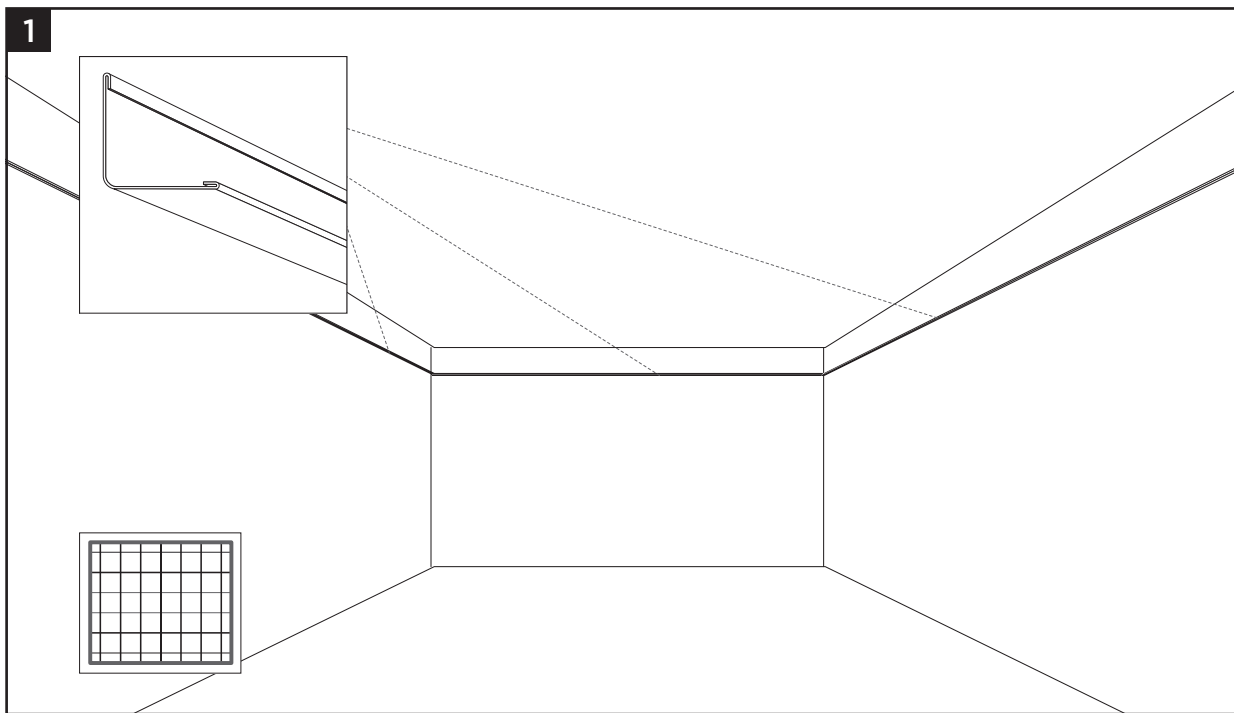
# Installation for Gyptone® Base 31,™ Line 4,™ Point 11,™ Quattro 20,™ Sixto 60™ Panels

**Pre-Installation:** Please read CertainTeed Architectural's Panels Pre-Installation Manual before you begin these installation instructions.

## 1. Installing Wall Angle

- a. To install Wall Angle choose a height at least 3" below joists, existing ceilings, ducts, pipes, or wiring, to ensure clearance and maneuverability required to install the panels (integration with diffusers and light fixtures may dictate a greater depth of system).
- b. Mark the desired height for the finished surface of the ceiling on all four walls (see Steps 2-3).
- c. Attach Wall Angle using appropriate fasteners.

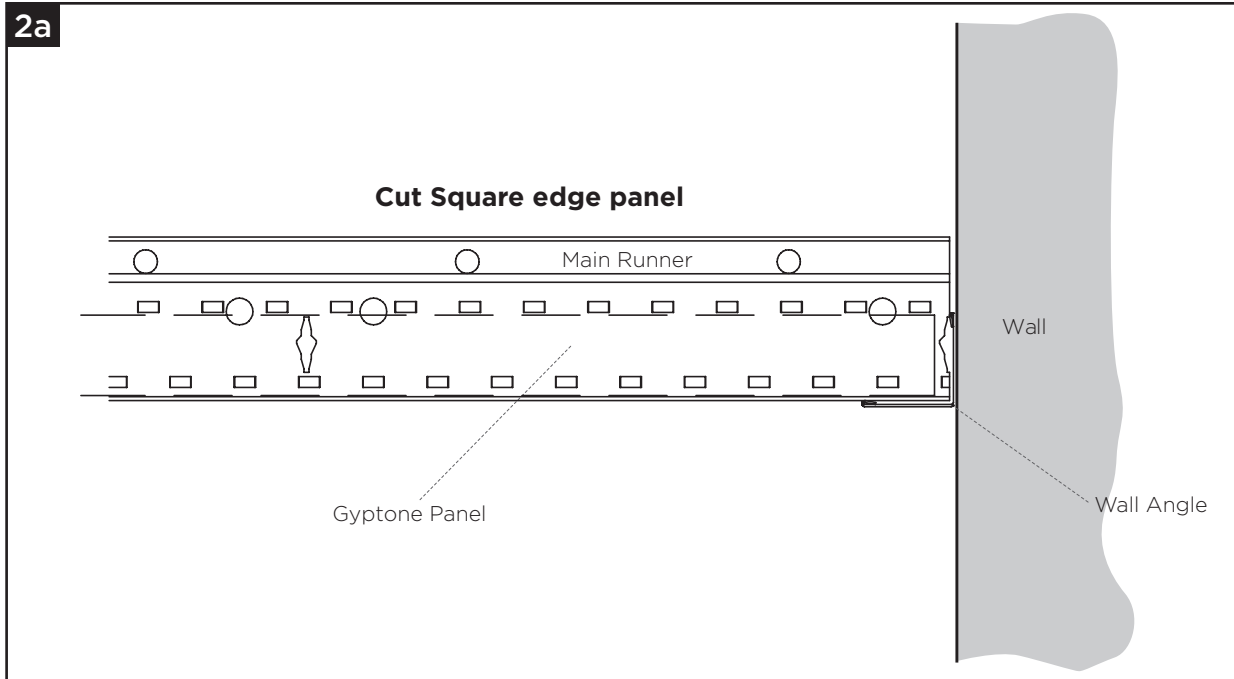
## Perimeter Detail



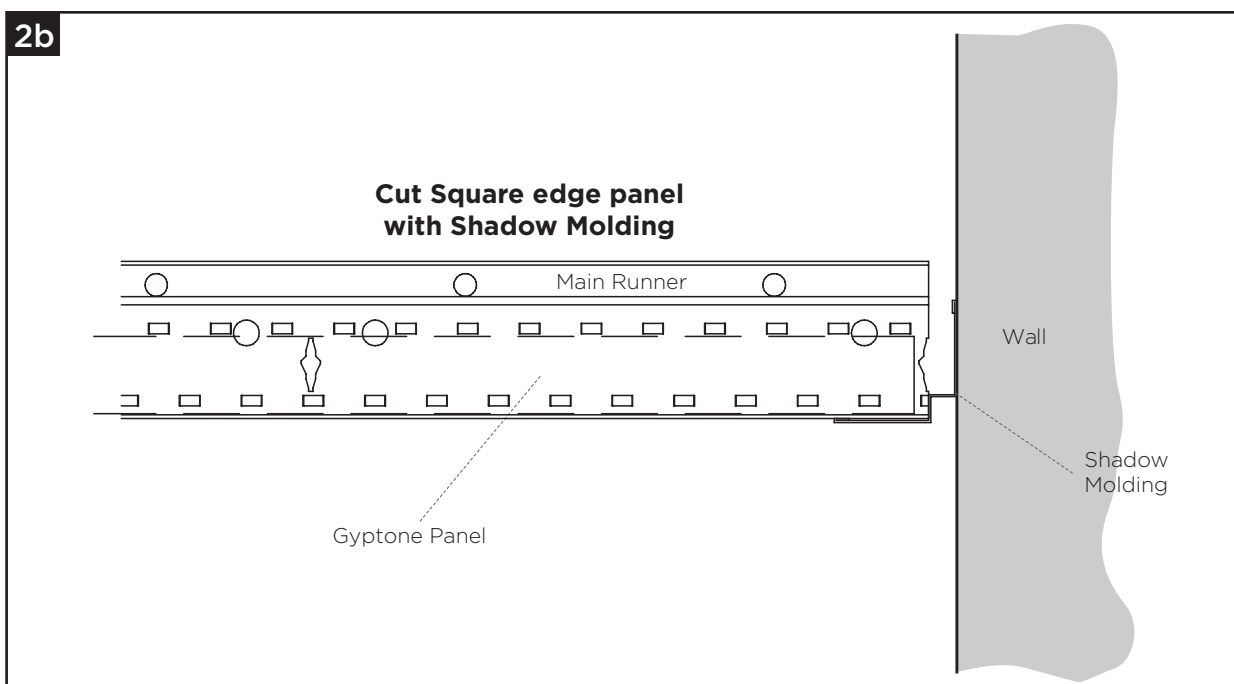
See Step 2 for Perimeter Detail Options

Installation for Gyptone® Base 31,™ Line 4,™ Point 11,™  
Quattro 20,™ Sixto 60™ Panels

Gyptone Perimeter Detail Options

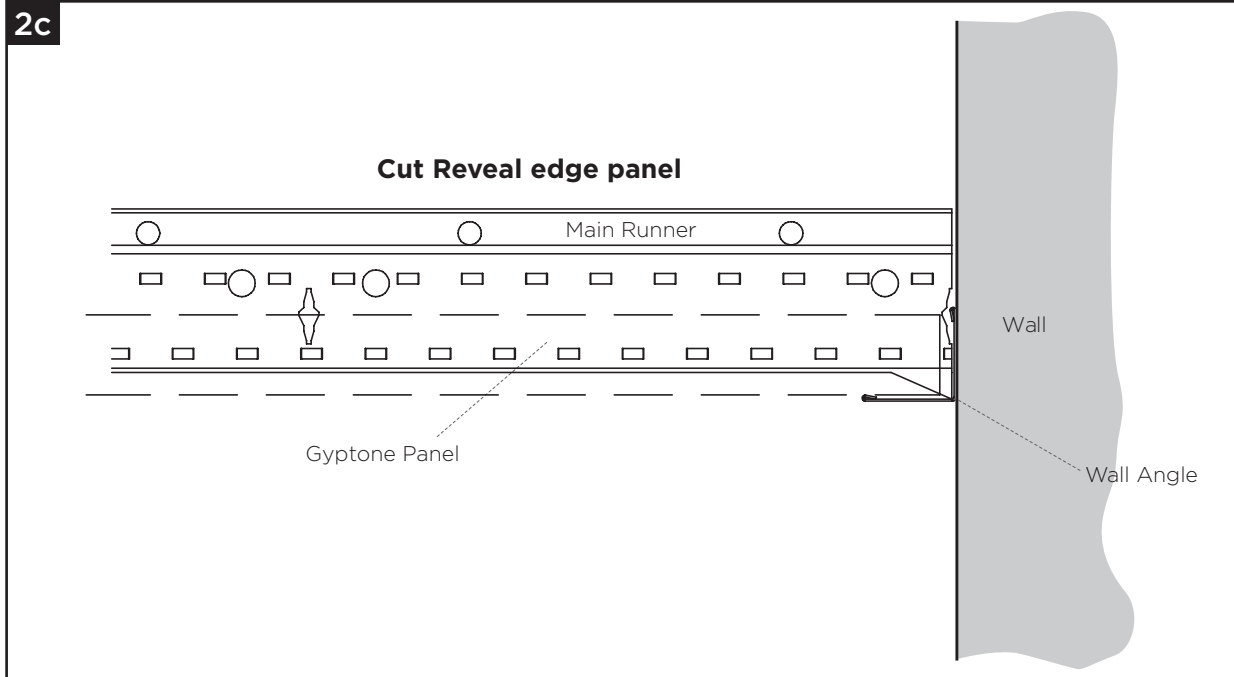


**Note:** This is the preferred option for perimeter treatment with Gyptone Panels. Regardless of whether the field panels are square edge or narrow reveal edge, **the use of square edge Gyptone Base 31 panels is recommended for perimeter panels.**

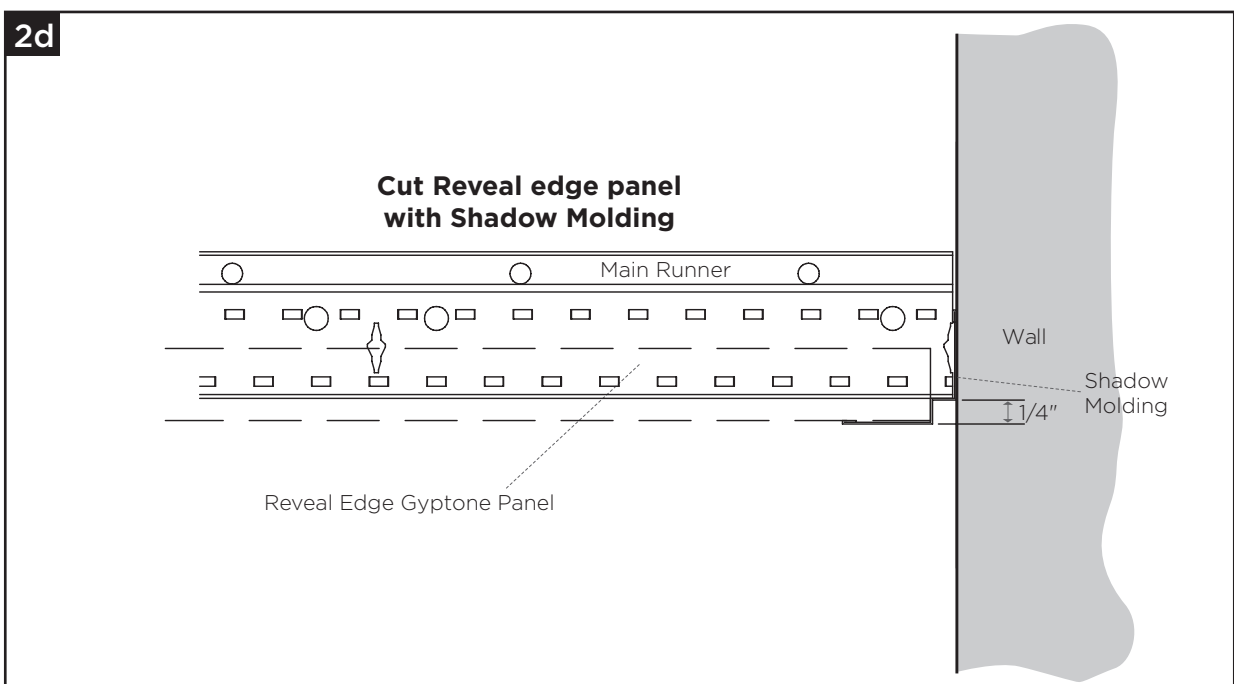


Installation for Gyptone® Base 31,™ Line 4,™ Point 11,™  
Quattro 20,™ Sixto 60™ Panels

Gyptone Perimeter Detail Options Continued



**Note:** Since Reveal edges cannot be field-cut into perimeter panels, each panel is straight cut at the wall, and the flanges are bent down to elevate the grid member up from the perimeter trim.

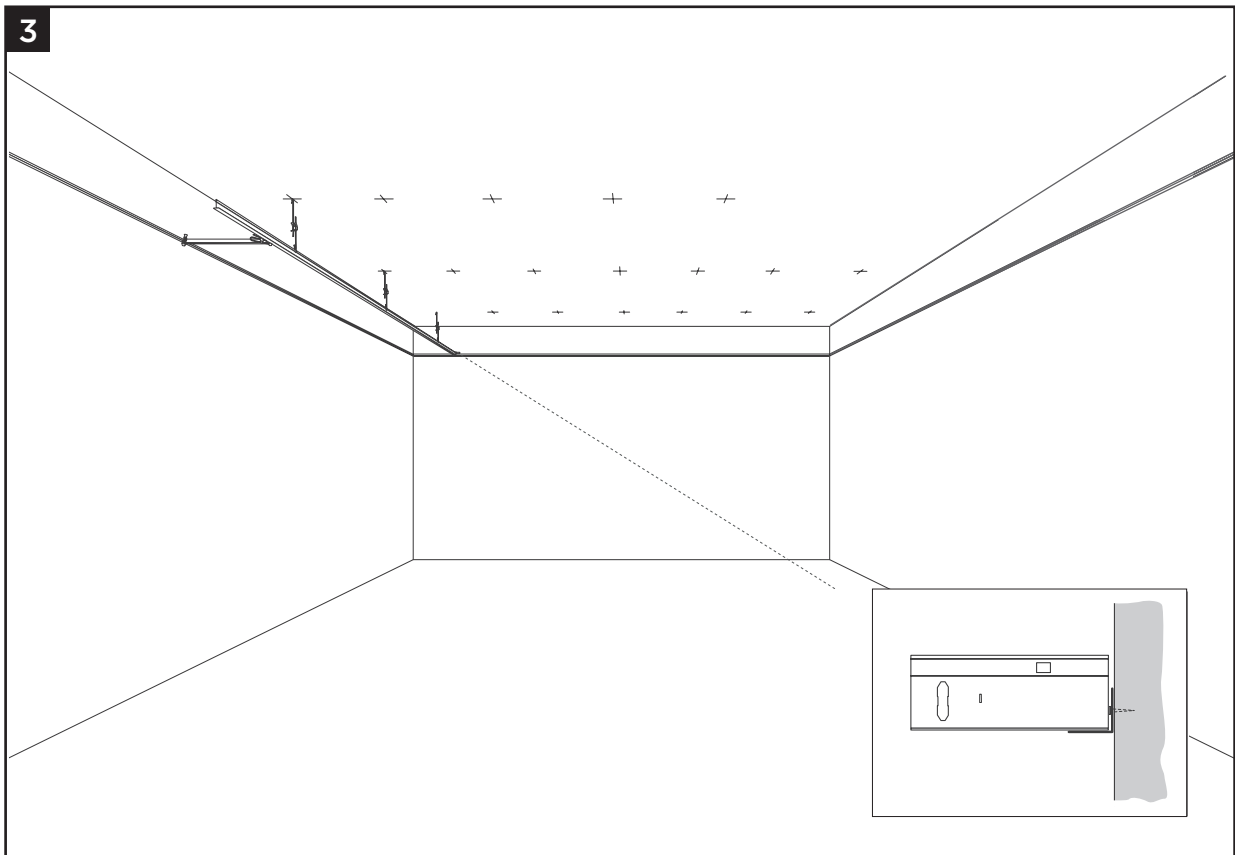


**Note:** Shadow Molding must have a 1/4" reveal.

# Installation for Gyptone® Base 31,™ Line 4,™ Point 11,™ Quattro 20,™ Sixto 60™ Panels

## 3. Installing Hangers

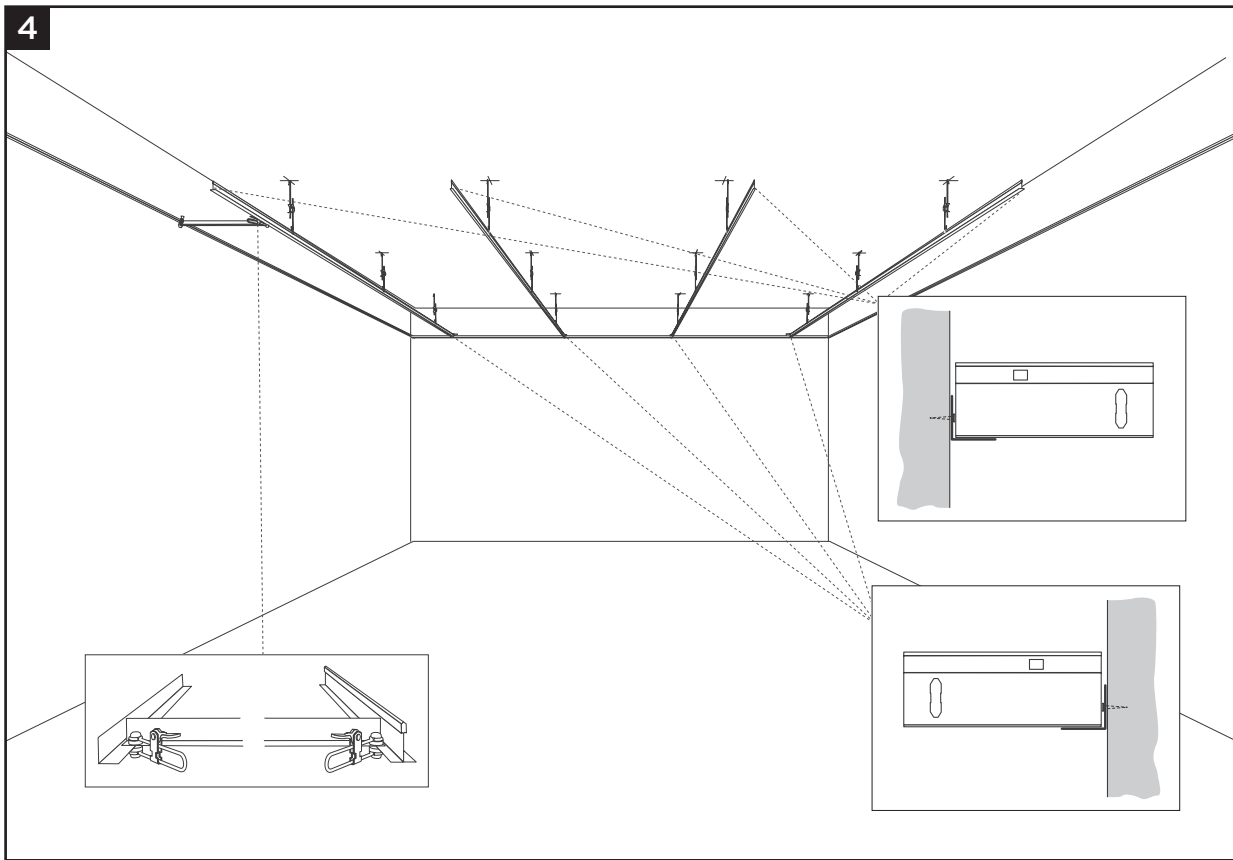
- a. Mark lines for each of the main runners (4' on center).
- b. Pull a string line along the path that the first main runner will take. Attach the line directly below the wall molding.
- c. Hangers are placed every 48" along the main runners, at a max of 24" from the walls.



# Installation for Gyptone® Base 31,™ Line 4,™ Point 11,™ Quattro 20,™ Sixto 60™ Panels

## 4. Install the main runners

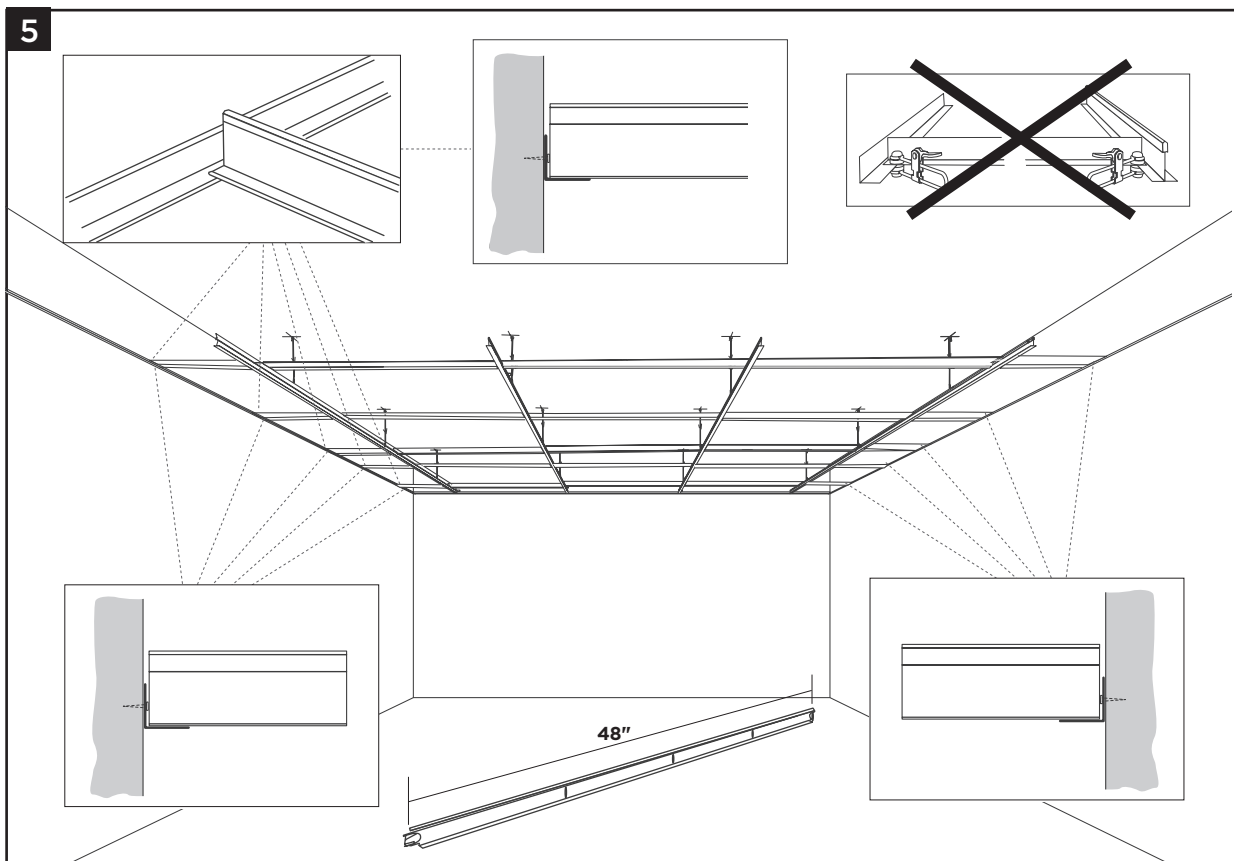
- a. Install the first section of main runner with cut edge sitting on the wall molding.
- b. Attach the main runner to wire.
- c. Repeat for the next sections of main runner.
- d. Make sure that all of the main runners are hanging at the same level.



## Installation for Gyptone® Base 31,™ Line 4,™ Point 11,™ Quattro 20,™ Sixto 60™ Panels

### 5. Install 4' Cross Tees and Border Tees

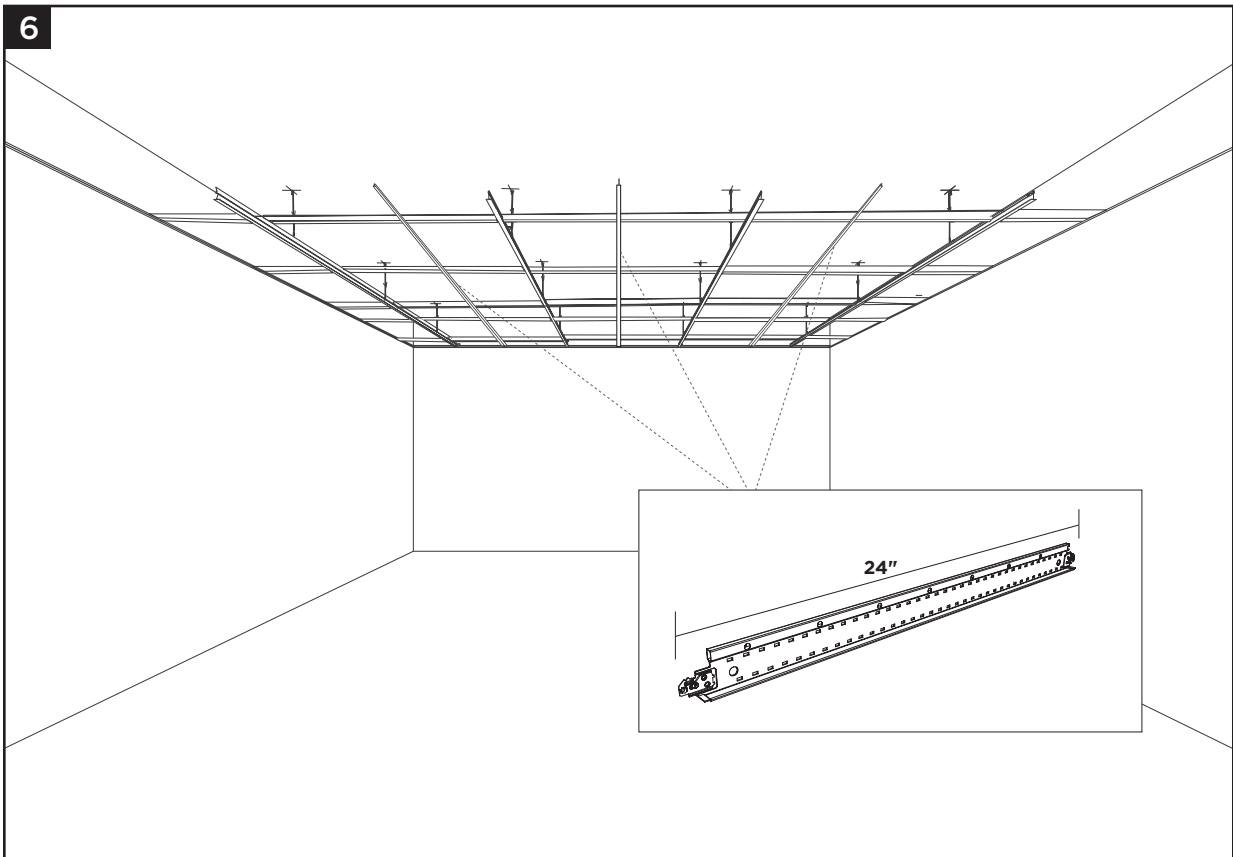
- Cut in border cross tees. Use a string line to make sure the main runners are straight.
- Install cross tees as needed.
- Check to see if the suspension system is square. Make adjustments as needed.**



# Installation for Gyptone® Base 31,™ Line 4,™ Point 11,™ Quattro 20,™ Sixto 60™ Panels

## 6. Install remaining 2' cross tees

- a. Install remaining cross tees.
- b. Check to see if the suspension system is square. Make adjustments as needed.



## 7. Install Panels

- a. Cut border panels as needed.

### For Product and Installation Questions:

Call 1-800-233-8990 (Monday-Thursday: 7:30 am – 6:30 pm, Friday: 7:30 am – 6:00 pm EST)



### CertainTeed ARCHITECTURAL

METAL • WOOD • FELT • FIBERGLASS & MINERAL FIBER • GYPSUM • SUSPENSION & INTEGRATED SYSTEMS  
20 Moores Road, Malvern, PA 19355 800-233-8990 CertainTeed.com/Architectural