

FLINTFAST® TB-75 TERMINATION BAR

Product Information



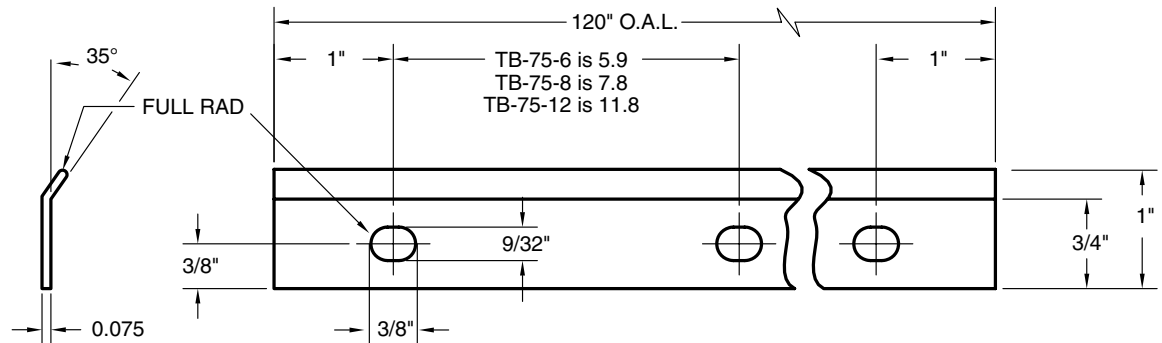
Features: Comes with sealant ledge.

Material: Made from specially extruded aluminum without sharp edges.

Slotted Holes: Comes with holes measuring 6", 8" or 12" on center.

Part No.	TB-75-6	TB-75-8	TB-75-12
Thickness*	.075"	.075"	.075"
Width*	1"	1"	1"
Length*	10'	10'	10'
Hole Size	1/4" x 3/8"	1/4" x 3/8"	1/4" x 3/8"
Holes on Center	6"	8"	12"
Pieces/Tube	50	50	50
Weight/Tube	51#	51#	51#

*Manufactured to mill tolerances.



Technical Assistance and Services

CertainTeed provides technical assistance in the design, selection, specification and application guidelines for all CertainTeed Roof Systems. Architectural and field representatives are available for consultation within each region.

For more information, contact CertainTeed Commercial Roofing Technical Services at 800-396-8134 x2.



ASK ABOUT ALL OF OUR OTHER CERTAINTEED® PRODUCTS AND SYSTEMS:

ROOFING • SIDING • TRIM • DECKING • RAILING • FENCE
GYPSUM • CEILINGS • INSULATION

www.certainteed.com <http://blog.certainteed.com>

CertainTeed Corporation
P.O. Box 860
Valley Forge, PA 19482

Professional: 800-233-8990
Consumer: 800-782-8777