

# Felt Ceilings | Baffles & Open Cell

## Installation Manual

---

### General Information

- Felt Ceilings are made of 100% recyclable polyester with 60% recycled content.
- Felt Ceilings are offered in baffles or open cell (straight or undulating). See the product data page for dimensions of each type.
- Felt Ceilings are engineered for use in seismic areas when installed in accordance with local code requirements.

### Site Conditions

Begin system installations only after spaces are enclosed and weather-tight, and after all wet work and overhead work have been completed. Do not handle, store, or open near an exposed flame, source of heat, or source of ignition. Felt Ceilings shall not be exposed to temperatures below 40°F or in excess of 120°F and humidity below 25% or above 85% at all times. Additionally, they must be stored in a dry, interior location for at least 24 hours for acclimation and remain in the original carton in a flat, horizontal position before installation to avoid damage. PPE (Personal Protective Equipment) including clean gloves must be used to avoid fingerprints and any other damage to the material. Felt Ceilings cannot be used in exterior applications, where standing water is present, or where the substrate may be exposed to moisture.

### Warranty

A 1-year limited warranty is available. Please reference [CertainTeed.com/warranty](http://CertainTeed.com/warranty) for details.

### Need Help?

If you have any questions or concerns about the product, installation, assembly, disassembly, etc., please contact customer service at 800.366.4327.

### Design Considerations

#### Fire Performance

Surface Burning Characteristics: Tested per ASTM E84 and complying with Class A requirements as follows:

- Flame Spread:  $\leq 25$ , Smoke  $\leq 250$
- Smoke Developed: 450 or less

#### Installation Standards

All Felt Ceilings must be installed following the provided manufacturer's shop drawings, per manufacturer's written instructions, and comply with the publications referenced below.

- Cisca "Ceiling Systems Handbook"
- Standard for Ceiling Suspension System Installations - ASTM C 636
- Standard for Ceiling Suspension Systems Requiring Seismic Restraint - ASTM E 580
- IBC (International Building Code) Standard for Seismic Zone for local area.

#### Felt Ceilings Design

Felt Ceiling components are available in a variety of lengths, heights, and come factory-assembled with the respective hanging systems. Please be aware that panels have a 1/2" gap between ends of panels for best visual finish.

#### Colors

Felt Ceilings come in 18 different colors and felt ceiling hanger brackets are available in three different finishes. Please refer to the product guide to see available colors. Be aware that panels' color shade may vary from order to order. CertainTeed recommends that extra material is ordered and stored.

#### Accessibility

Felt Baffles allow easy plenum access. If needed, Felt Ceilings can be unattached and reattached to the suspension system.

**HunterDouglas**   
Ceiling & Wall Products

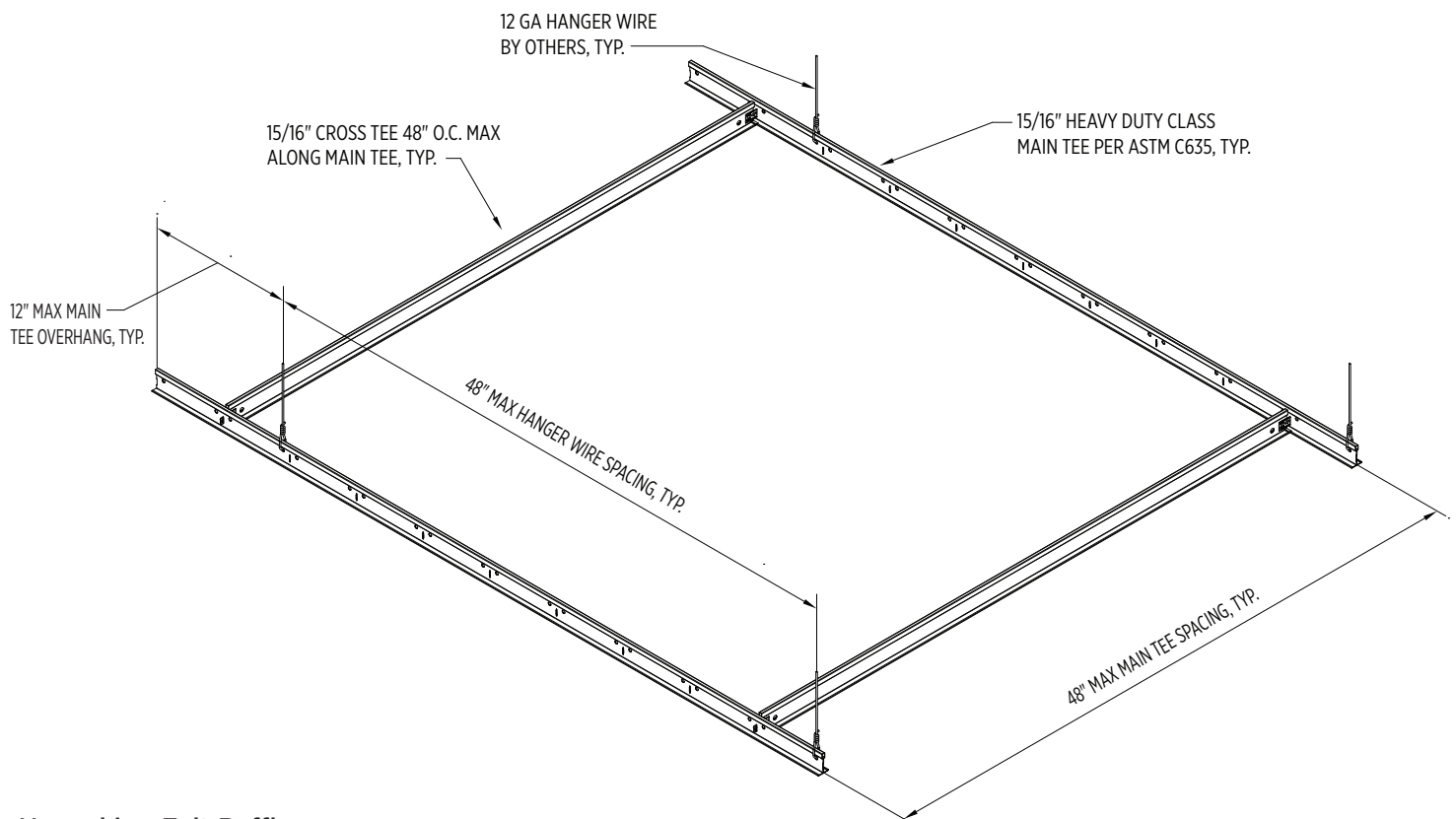
exclusively from CertainTeed

## Suspension System Type 1 - Tee Grid System

Install 15/16" heavy-duty class tee grid on TYP. module per ASTM C635.

Before installing:

- Maximum main tee spacing should not exceed 48".
- Maximum 12 GA hanger wire spacing on main tee should not exceed 48". (12 GA hanger wire provided separately.)
- 15/16" cross tee should not exceed 48" spacing.
- Maximum baffle overhang should not exceed 24" from the ends.
- Make sure that the whole system is straight and correctly leveled.
- Felt baffles require at least two (2) connection points per baffle.



### Unpacking Felt Baffles:

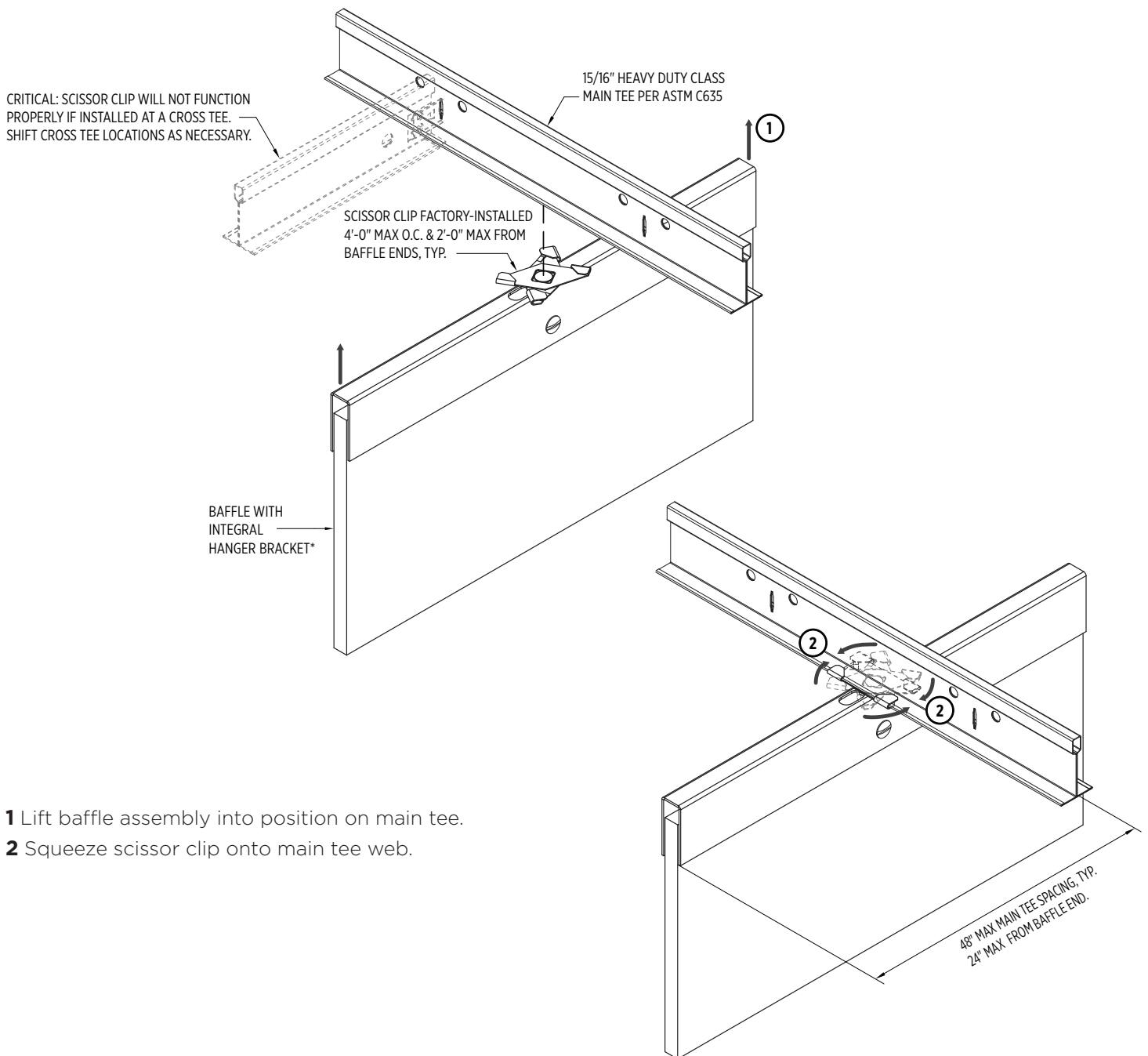
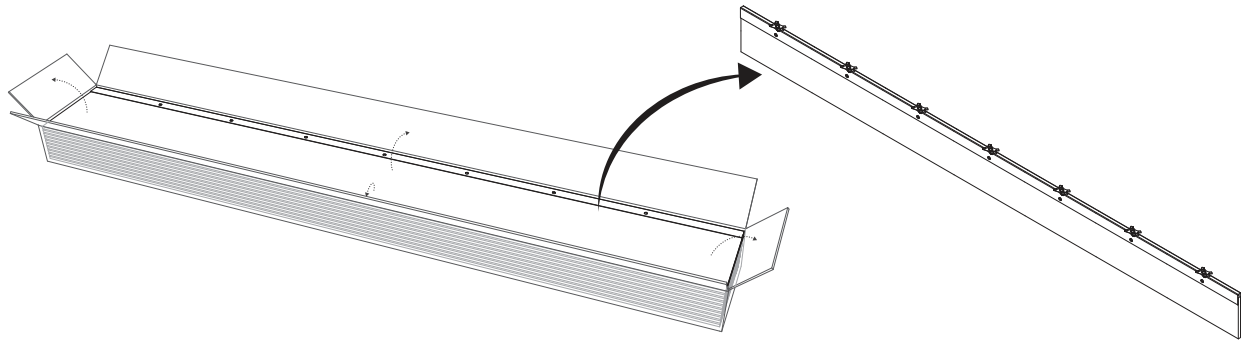
Before unpacking:

- Let product acclimate at room temperature for at least 24 hours prior to installation.
- Make sure work area is clean before opening sealed product boxes.
- Clean gloves are required when handling and installing the product.
- Wear necessary PPE (Personal Protective Equipment).
- Protect products at all times from direct sunlight, water contact, and any heat source.
- It is recommended that two installers always handle each felt baffle.
- When handling the baffles, it is best to hold them vertically.

## Attaching Felt Baffles:

Hanger brackets come factory-installed.

(The scissor clip is factory-installed at 4'-0" max O.C. and 2'-0" max from baffle ends.)



1 Lift baffle assembly into position on main tee.

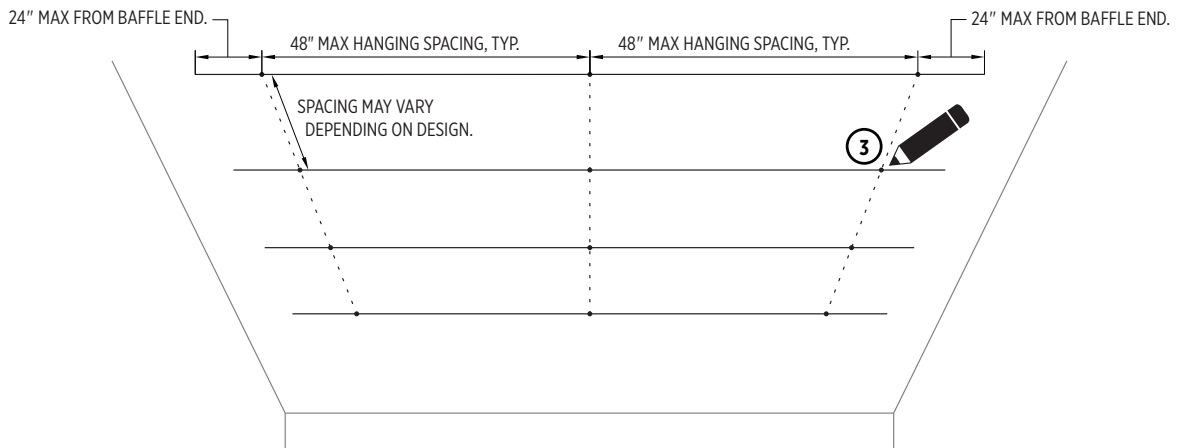
2 Squeeze scissor clip onto main tee web.

## Suspension System Type 2 - Adjustable Wire Hanger/Direct Hung

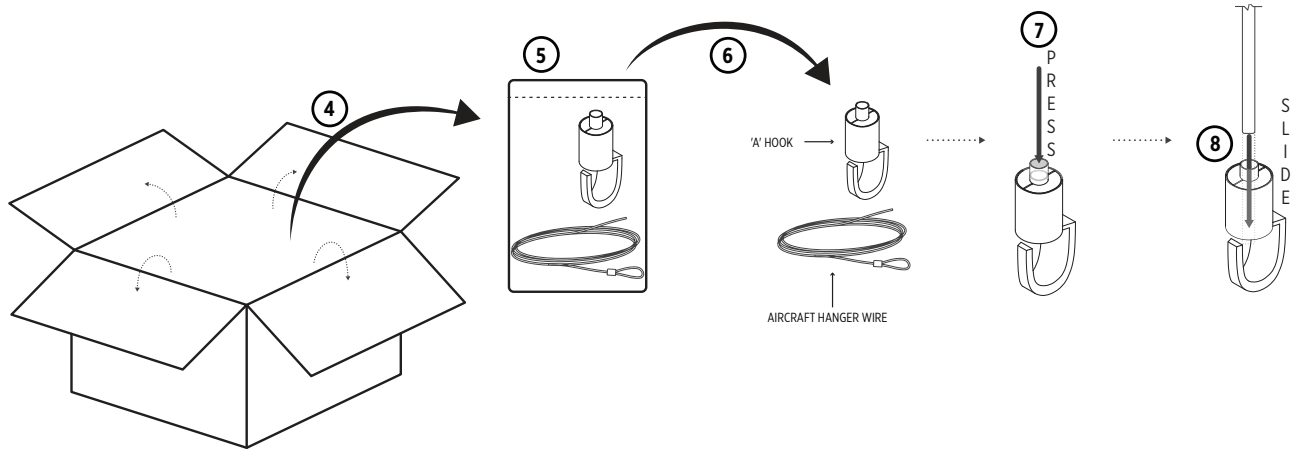
### Before drawing the grid:

- Connection to ceiling designed and provided separately.
- Connection points on baffle should not exceed 48".
- Maximum baffle overhang should not exceed 24".
- Baffles require at least two (2) connection points per baffle.

### 3 Draw a grid in the ceiling in which you plan to hang the system.



### Unpacking the adjustable wire hanger kit:



4 Open box from the top side.

5 Unpack all adjustable wire hanger kits from the boxes.

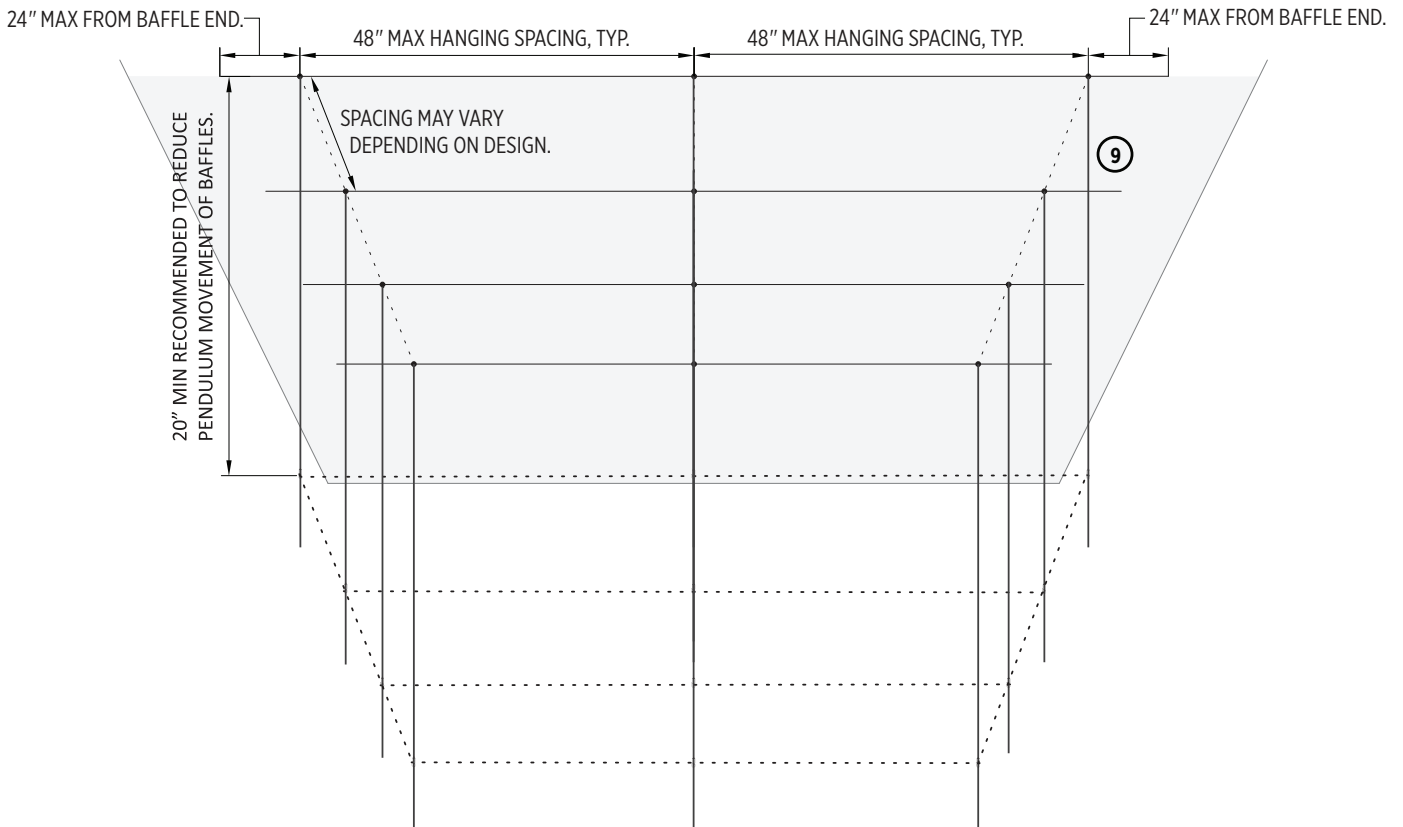
6 Unpack adjustable wire hanger kit parts from the plastic bags.

7 Press the head of the hook.

8 Feed the wire to the hook. (Insert the end without loop.)

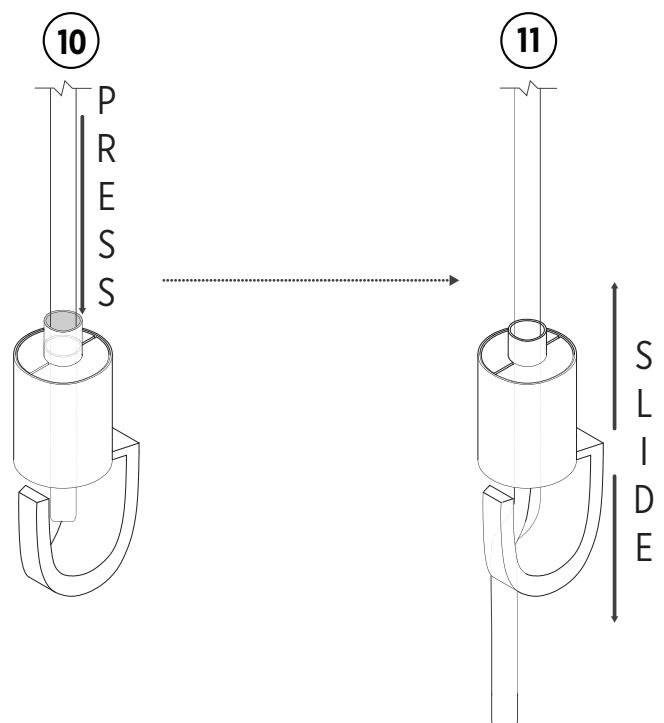
**Connect adjustable wire hanger to ceiling:**

**9** Attach the adjustable wire hanger to the ceiling following the grid drawn in step 3 (Do not cut the aircraft wire after attaching to structure. Attachment to structure designed and provided separately.)



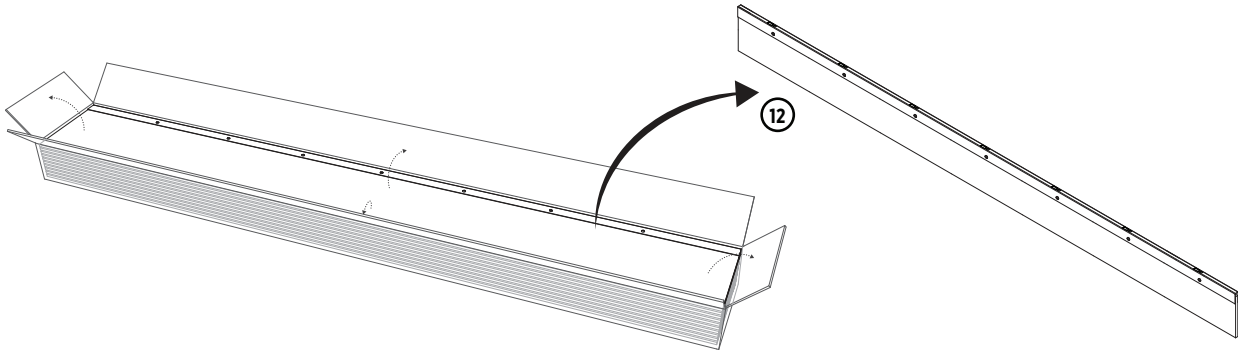
**Adjusting adjustable wire hanger to desired height:**

- 10** Press the head of the hook.
- 11** Slide hook through aircraft wire until the desired distance. (Do not cut the aircraft wire after adjusting hook height.)



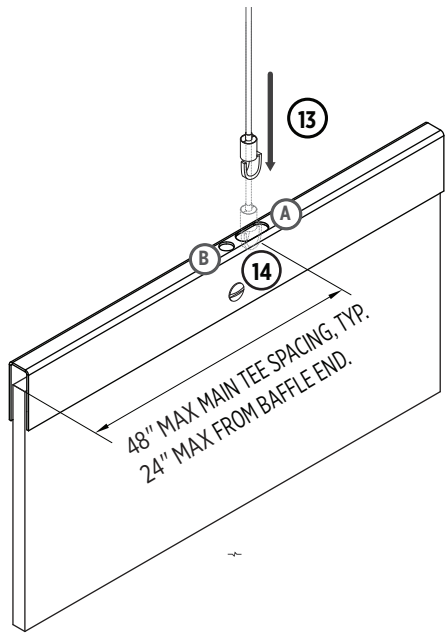
## Unpacking baffles:

- 12** Open box from the top side.  
After opening the box from the top, maintain the mutual orientation from the packaging.  
Install each baffle assembly one at a time, until all have been placed.



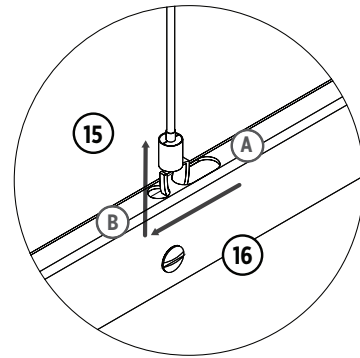
## Attaching baffle to adjustable wire hanger:

- 13** Align adjustable wire hanger with hole A.  
**14** Insert adjustable wire hanger into hole A.



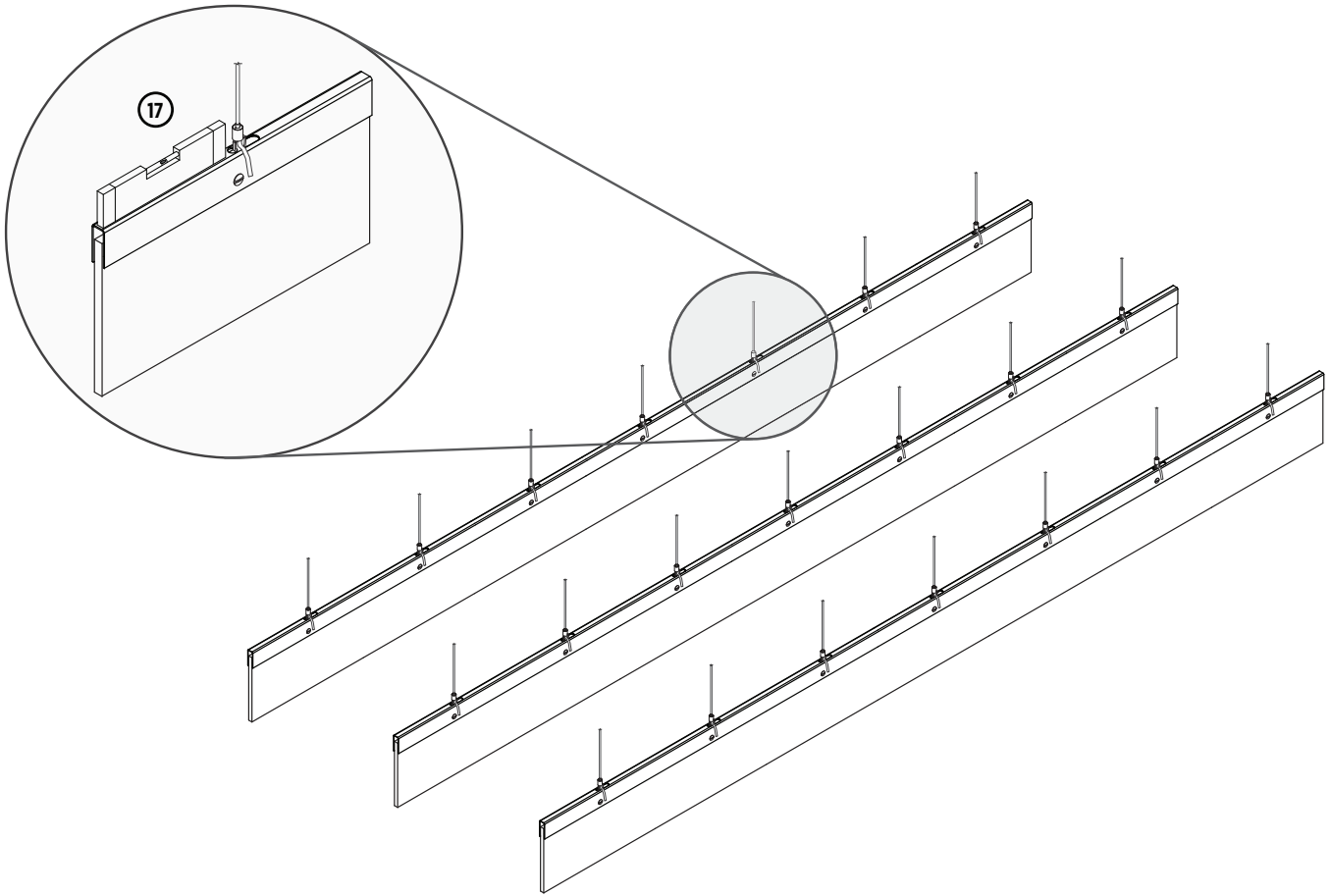
- 15** Move adjustable wire hanger towards hole B and up.

- 16** Repeat with all the baffles.

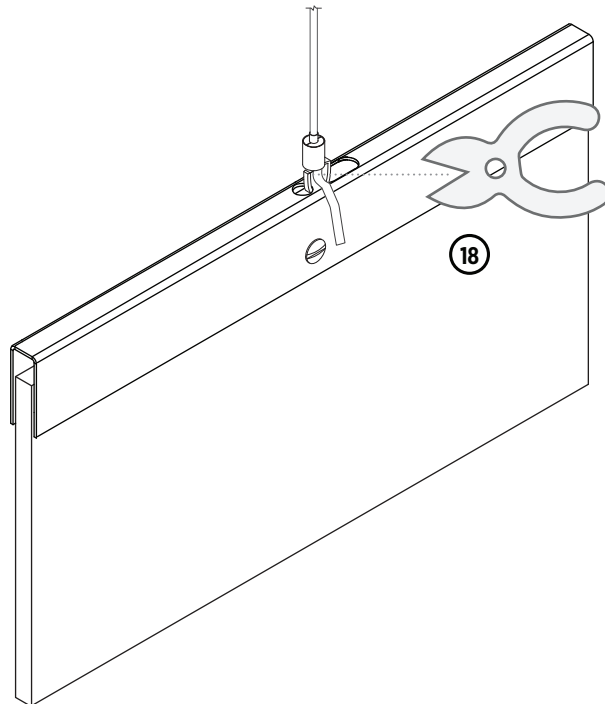


**Leveling system:**

- 17** Check that your system is leveled correctly.  
If your system is not correctly leveled, repeat steps 10 and 11.



- 18** Once your system is correctly leveled, cut the adjustable wire excess.



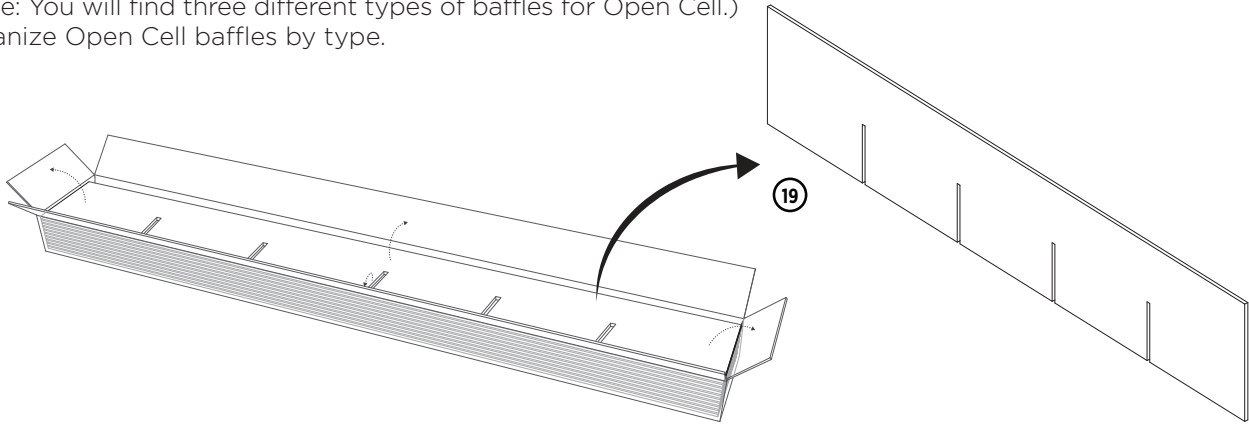
# Standard Open Cell Assembly

## Unpacking Open Cell Baffles:

Before unpacking:

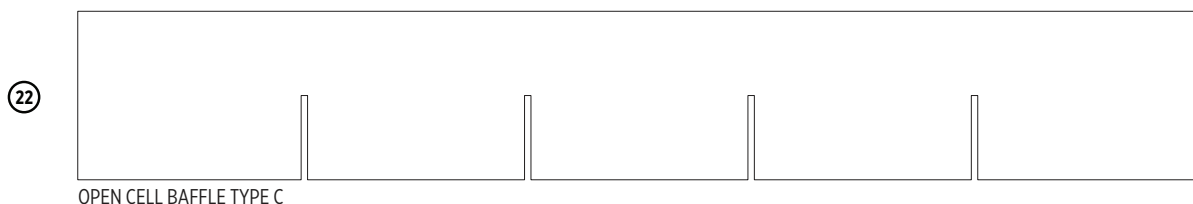
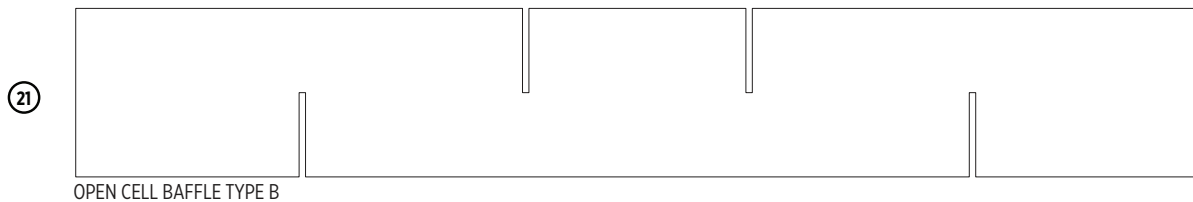
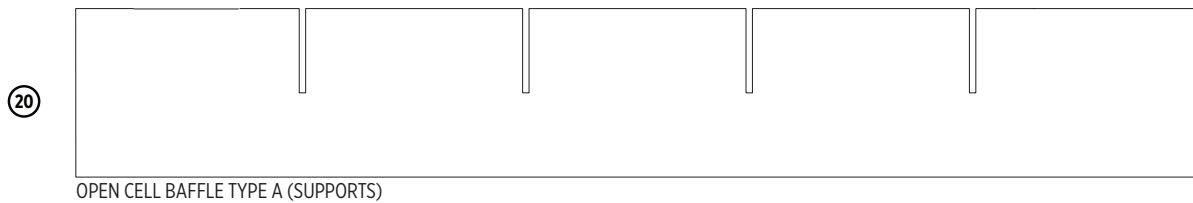
- Let product acclimate to room temperature for at least 24 hours prior to installation.
- Make sure work area is clean before opening product boxes.
- Clean gloves are required when handling and installing the product.
- Wear necessary PPE (Personal Protective Equipment).
- Protect products at all times from direct sunlight, water contact, and any heat source.
- It is recommended that two installers always handle each open cell baffle.
- When handling any baffles, it is best to handle hold them vertically.

- 19** Open box from the top side.  
Unpack all the baffles.  
(Note: You will find three different types of baffles for Open Cell.)  
Organize Open Cell baffles by type.



## Open Cell Baffle types:

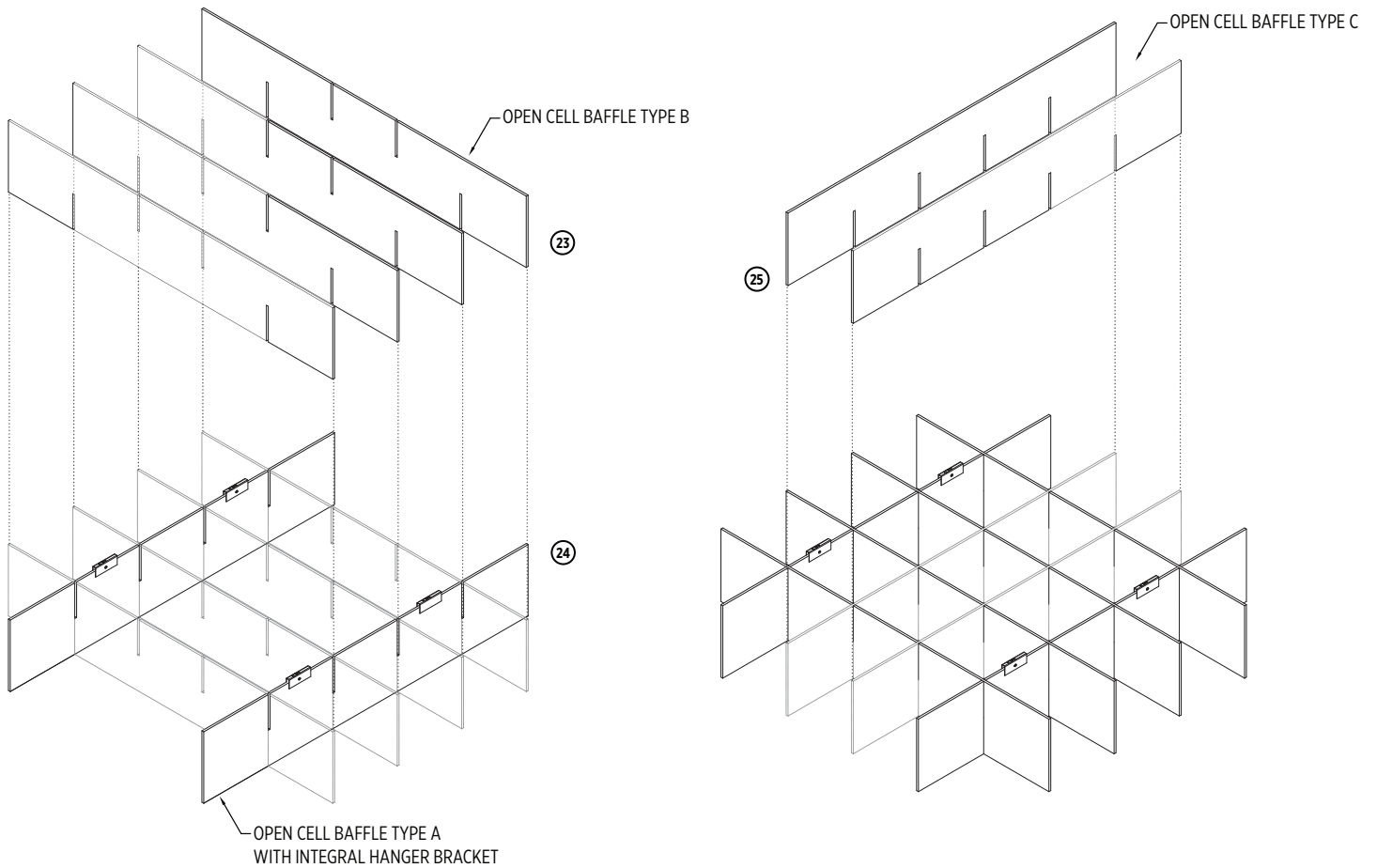
- 20** Open Cell Baffle type 'A' (supports)  
**21** Open Cell Baffle type 'B'  
**22** Open Cell Baffle type 'C'





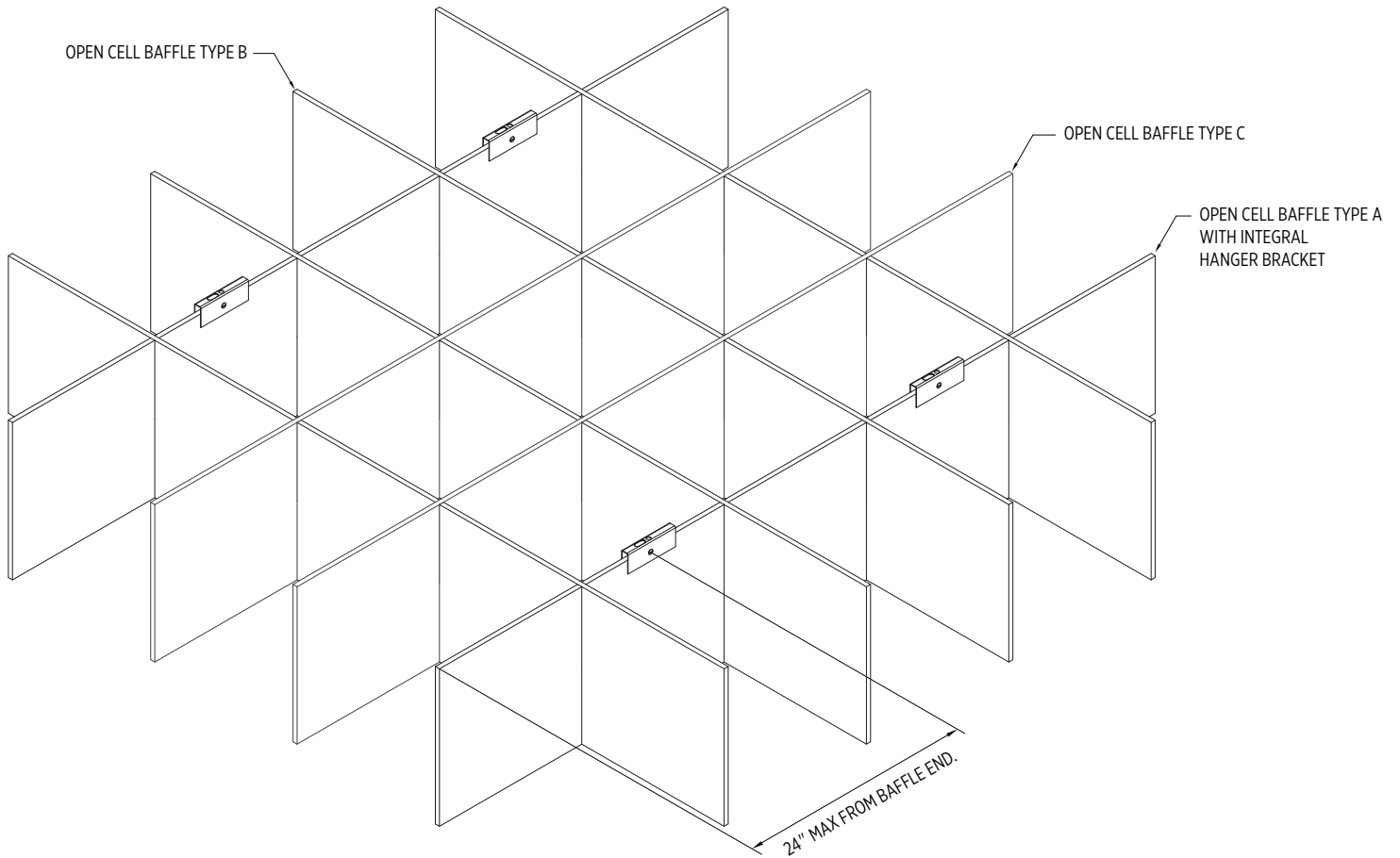
## Assembling Open Cell:

- 23** Organize type 'A' Open Cell baffles. (Note: that type 'A' baffles are always parallel to each other and come with integral hanger bracket)
- 24** Insert type 'B' Open Cell baffles perpendicular to type 'A' baffles.
- 25** Insert type 'C' Open Cell baffles perpendicular to type 'B' baffles, and parallel to type 'A' Open Cell baffles.



## Final Assembly

This is the final assembly of the Open Cell ready for installation. For attachment details to the tee grid, refer to the Suspension System Type 1 - Tee Grid System section. For attachment with adjustable wire hanger refer to the adjustable hanger wire/direct hung section.



**HunterDouglas**   
Ceiling & Wall Products  
exclusively from CertainTeed