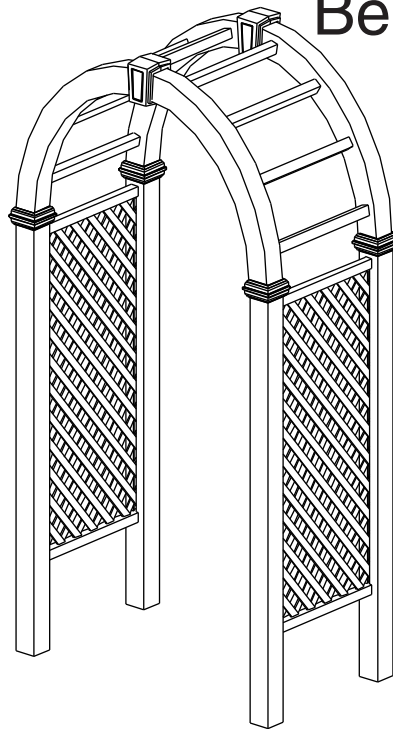




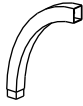
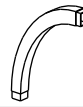
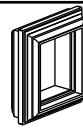
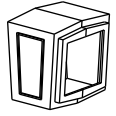




CertainTeed Fence, Railing, Deck
231 Ship Canal Parkway
Buffalo, NY 14218
1.800.333.0569
www.certainteed.com

Beaumont II - 70320



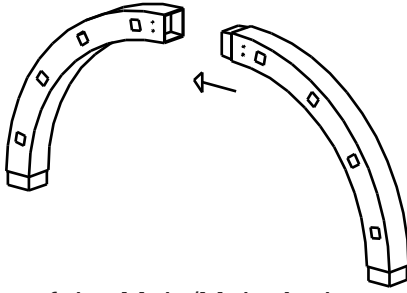
Beaumont II - Parts List

- All parts made in the USA-

| | Qty. | Description |
|---|------|--|
|  | 2 | 90° Arch - Male/Female |
|  | 2 | 90° Arch - Male/Male |
|  | 4 | 4" Knuckle |
|  | 4 | 4" Keystone Halves |
|  | 2 | 31 7/8" x 48" Lattice Panel |
|  | 8 | 1 1/2" x 1 1/2" x 31 7/8" Cross Member |
|  | 4 | 1 1/2" x 1 1/2" x 31 7/8" Cross Member (With notched ends) |
|  | 4 | 4" x 4" x 78" Arbor Post |

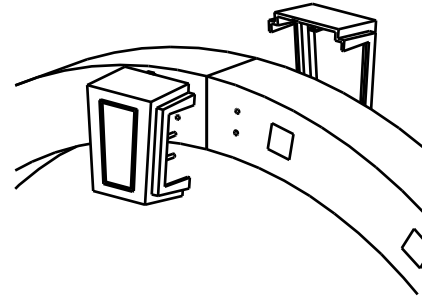
Assembly Instructions

Step 1



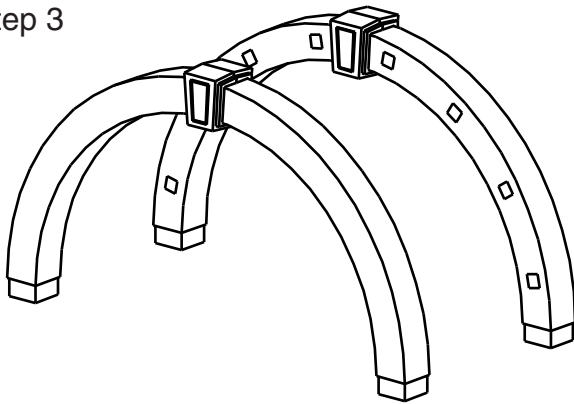
Slide one of the Male/Male Arch sections into a Female/Male section until they are flush.

Step 2



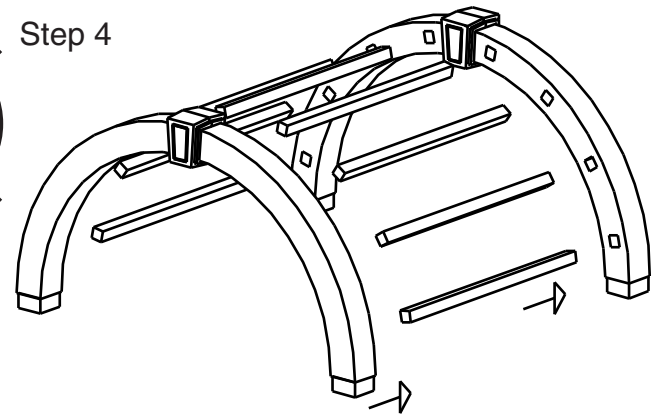
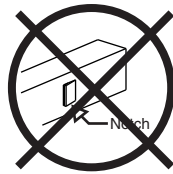
Align the pegs on the keystone with the four mating holes on the arch. Push until it is flush with the arch. Slide on another Keystone half onto the arch and snap both halves together.

Step 3



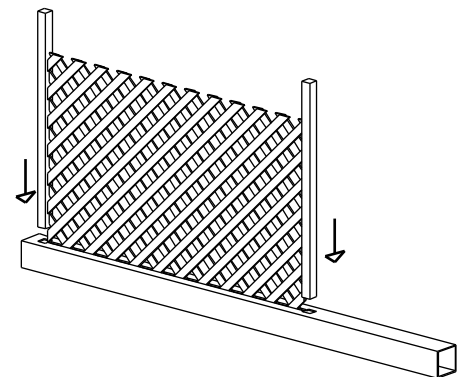
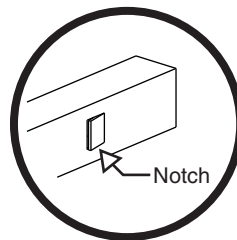
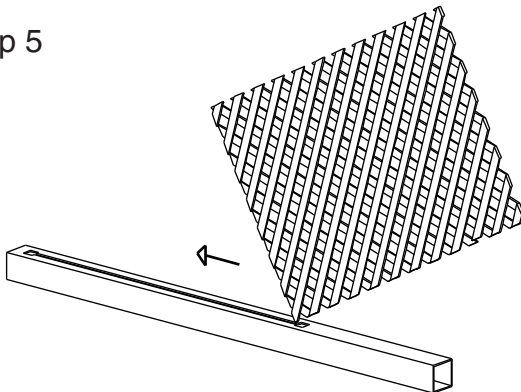
Repeat this process for the second arch. They should look as shown above.

Step 4



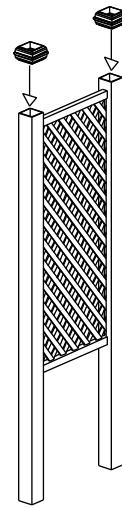
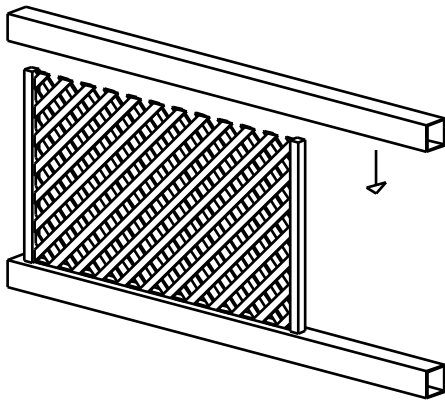
Insert (8) 1 1/2" x 1 1/2" Cross Members without notches into one of the assembled Arches. Place the second Arch assembly against the opposite end of the Cross Members and install them one at a time until both Arch halves are fully together.

Step 5



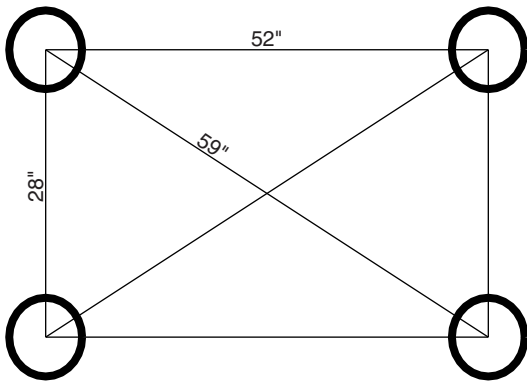
Lay one (1) Arbor Post onto a clean soft surface and slide the Lattice Panel into the long slot starting at one end until it is completely in place. Insert two (2) 1 1/2" x 1 1/2" Cross Members (with notches) into the square holes at the top and bottom of the Arbor Post. Make sure that the non-notched side faces the lattice.

Step 6



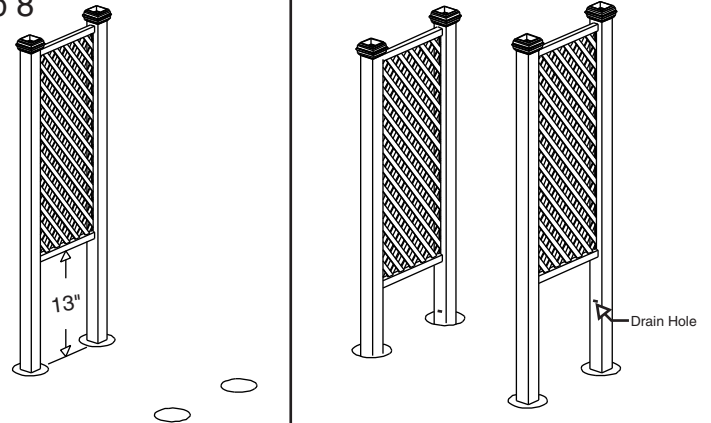
Attach another Arbor Post over the opposite side. Start from one end of the panel and work to another. Slide two (2) 4" Knuckles on the short ends of each of the Arbor Posts. Repeat this step to create another Arbor side.

Step 7



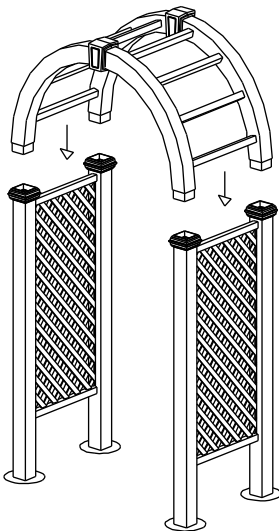
Dig four (4) holes approximately 10" round and 12" deep. The holes should be spaced apart as shown in the diagram above.

Step 8



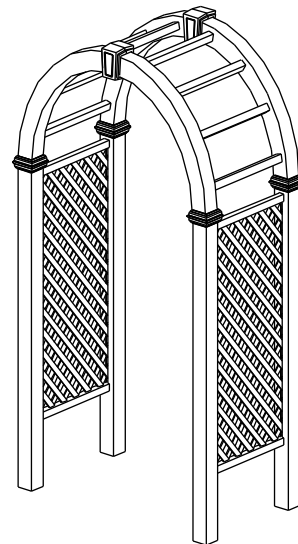
Place the assembled Side Panels into the holes. The bottom edge of the lower Cross Member should be 13" from the ground with drain holes exposed.

Step 9



Install the Arch onto the top of the Arbor Posts as shown above. (If desired, PVC glue can be added to the inside of the Arbor Posts prior to attaching the Arch.)

Step 10



Fill the four holes with cement. Frequently check that the finished Arbor is level in all directions.