

Ecophon® Solo™ Circle XL 1600

Installation Manual

DESIGN AND SPECIFICATIONS

Use of the Product

Ecophon Solo panels are a high performance sound absorber, capable of being used as the primary acoustic solution when a traditional acoustic ceiling is neither feasible nor aesthetically desirable. Ecophon Solo is a unique free-hanging unit offering a myriad of design possibilities which can be achieved through various color and suspension options.

Size Availability

Diameter: 1600mm (≈63")
Thickness: 40mm (≈1.5")

Surfaces

Ecophon Solo panels are manufactured from high-density fiberglass, boasting an industry-high recycled content [70% post-consumer]. The surface itself consists of the Akutex™ FT finish, which is highly light reflective [85%] and has exceptional light diffusion [+99%]. The Akutex™ FT finish covers both sides of the panel.

Accessibility

The panels are easily demountable.

Influence of Climate

Install in conditions that do not exceed 95% relative humidity and 86-degrees Fahrenheit (30°C).

Edge Detail

The panels have square edges that are fully painted.

Attachment

There is one method for attachment for the panels. This is the use of adjustable wire hangers for variable elevations.

Weight

The 1600mm x 40mm panels have an approximate weight of 17.6 lbs.

Handling

Use clean cotton gloves when handling product.

Cleaning

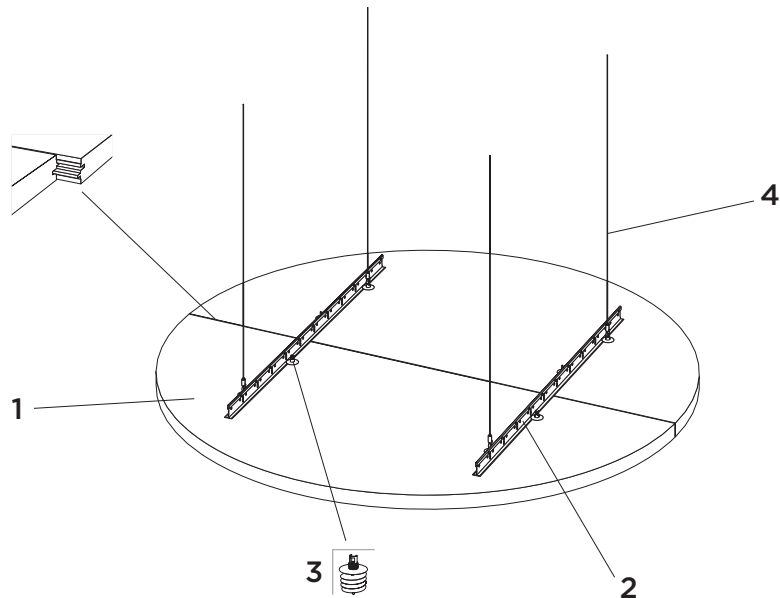
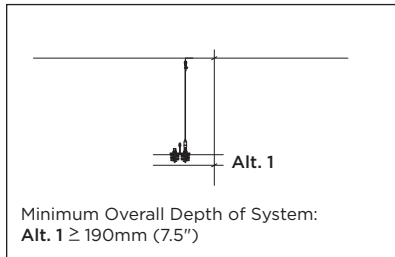
Daily dusting and vacuum cleaning. Weekly wet wiping.

Fire Performance

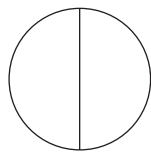
Panels have been tested according to ASTM E84 (Flame Spread ≤ 25) and ASTM E1263 (Smoke Development ≤ 50).

Installation for Ecophon® Solo™ Circle XL 1600 Ceiling Panels 1600mm x 40mm (≈63" x 1.5")

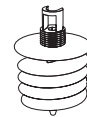
Read the entire manual before installing.



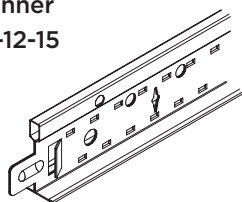
1. Ecophon Solo Circle 1600 XL
3544 2420
1600mm x 40mm (≈63" x 1-1/2")



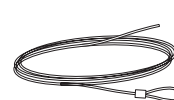
3. Connect Absorber Anchor
2647 2270 (4 pcs/carton)
2647 2290 (24 pcs/carton)



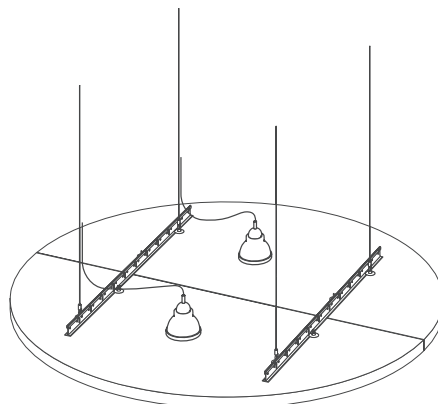
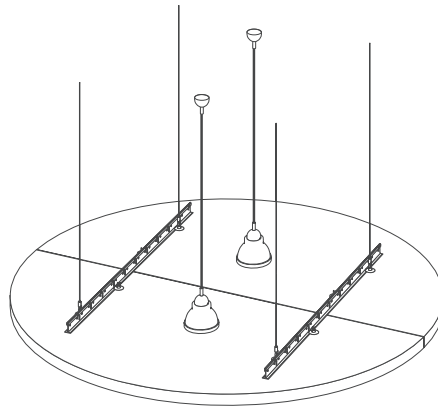
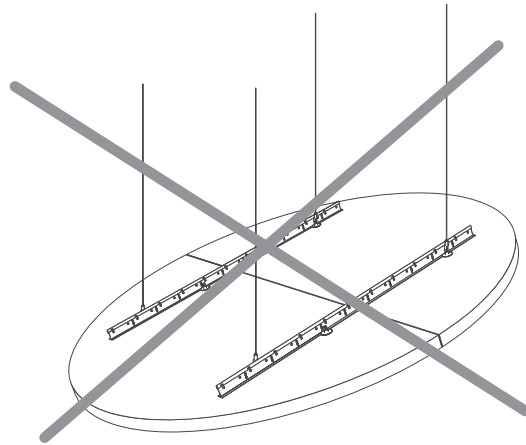
2. CertainTeed EZ Stab Classic System
Main Runner
EZCS12-12-15



4. Connect Adjustable Wire Hanger
2647 2174 - 2000mm (≈6'-6")
2647 2180 - 5000mm (≈16'-4")

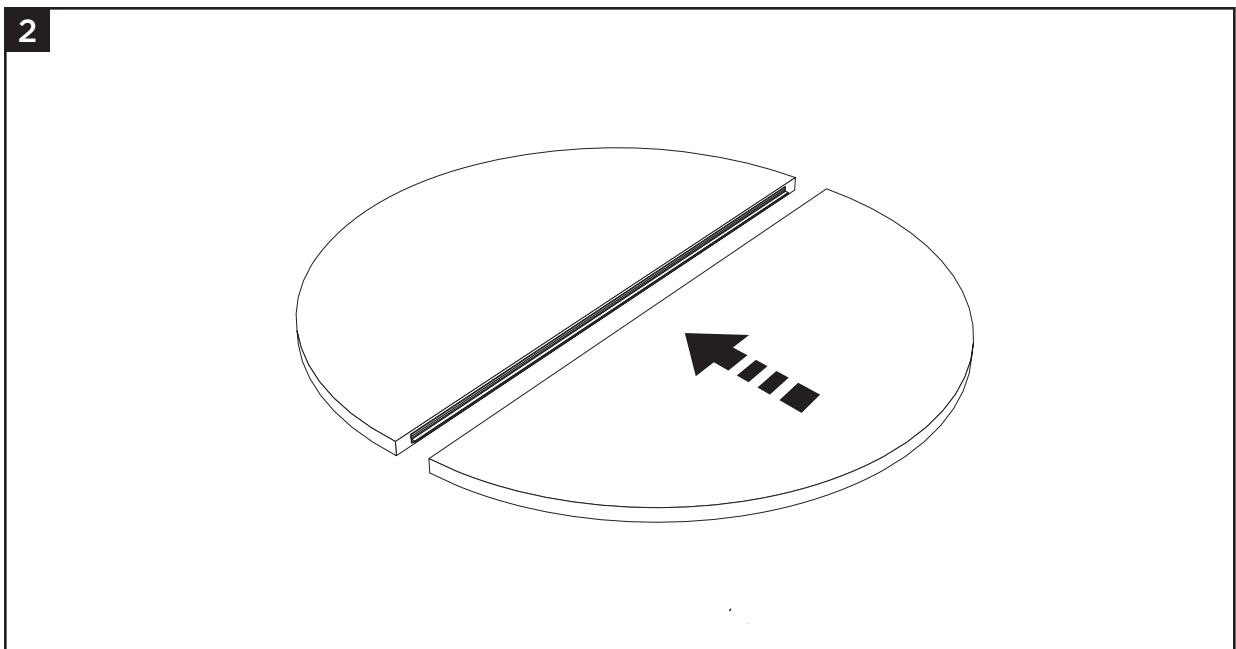
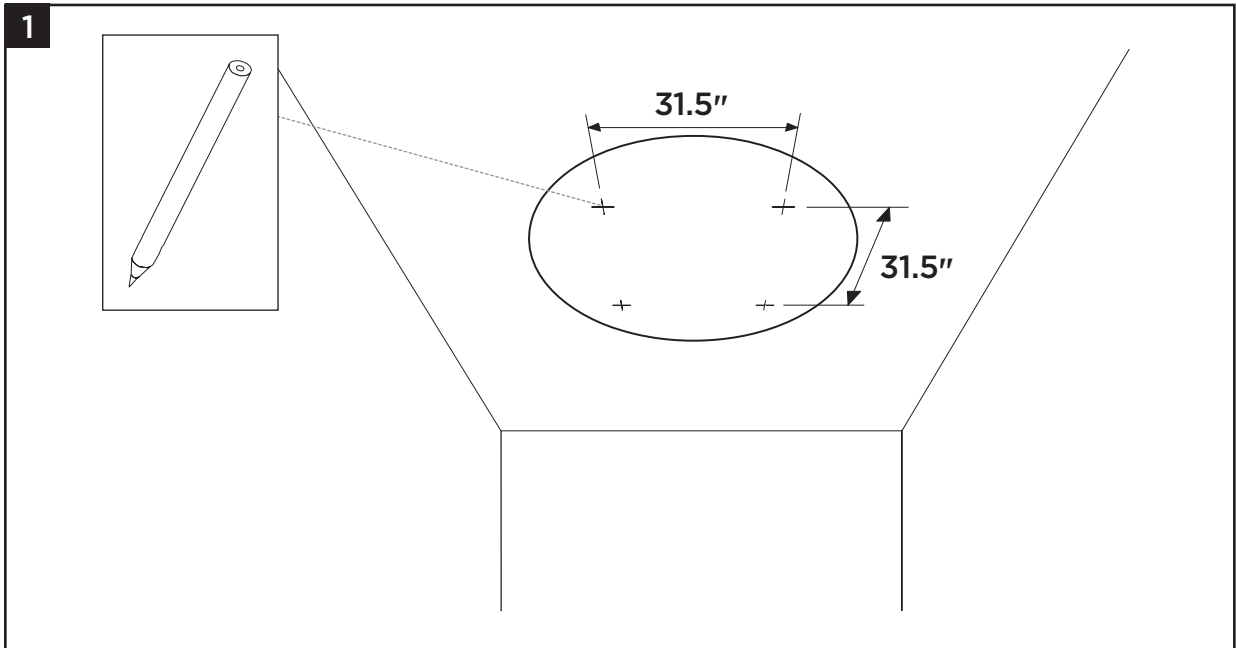


Installation for Ecophon® Solo™ Circle XL 1600 Ceiling Panels 1600mm x 40mm (≈63" x 1.5")



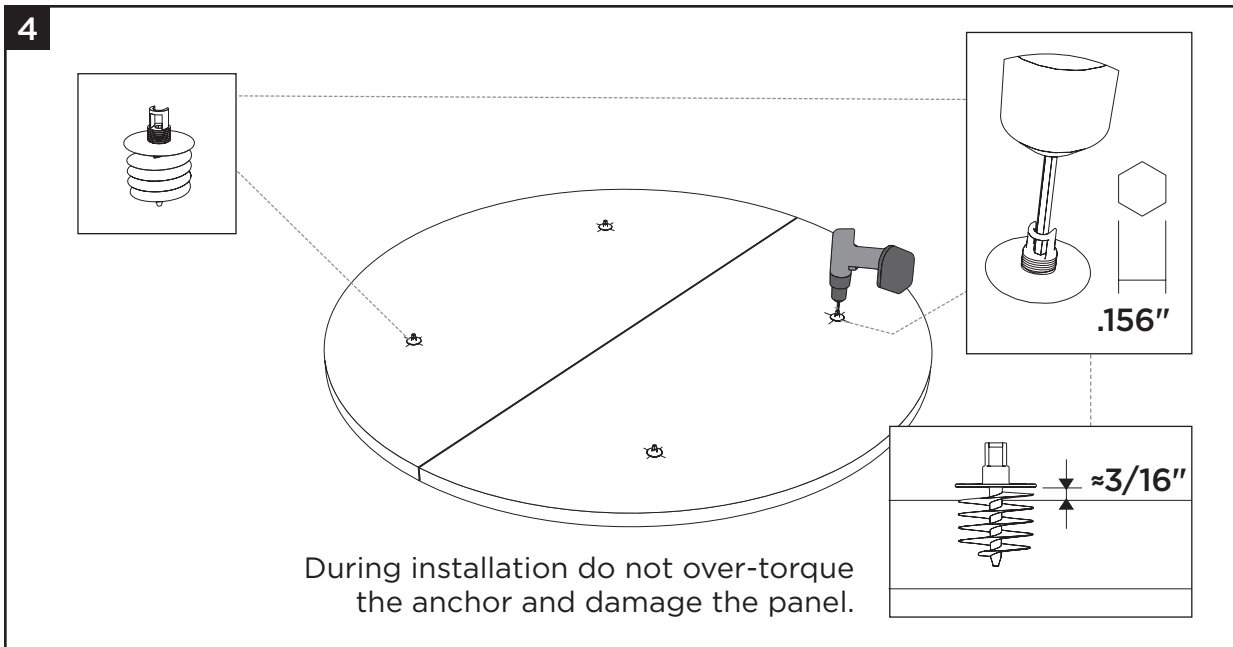
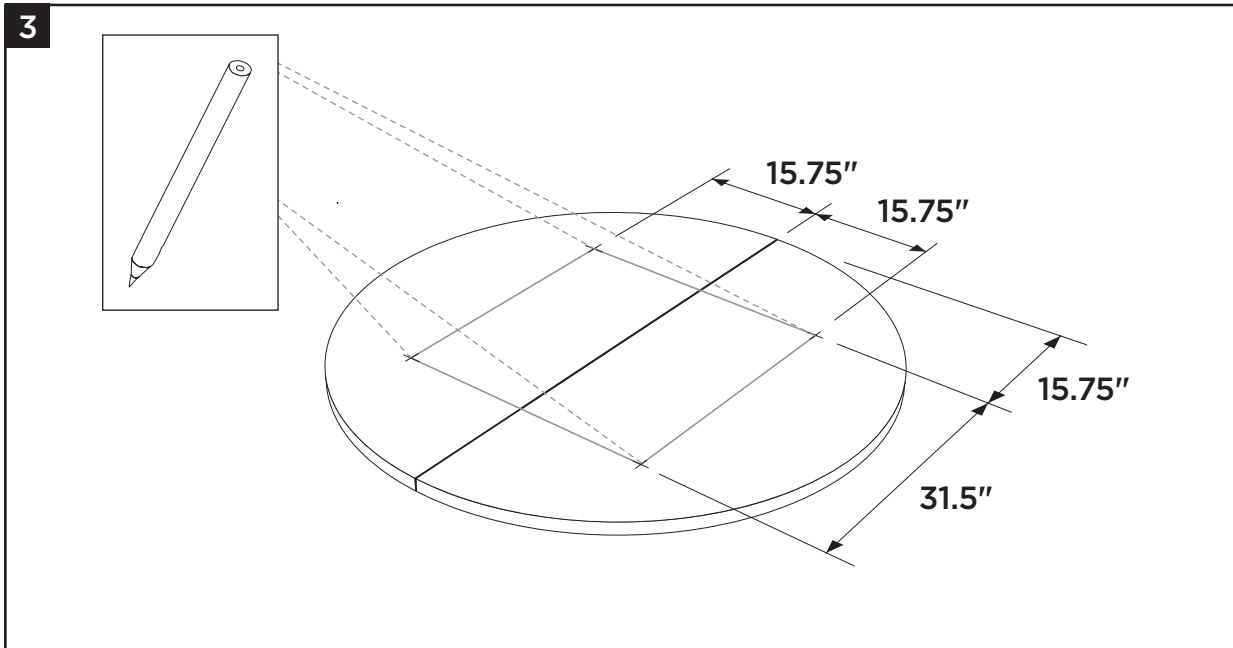
Installation for Ecophon® Solo™ Circle XL 1600 Ceiling Panels — Connect Adjustable Wire Hanger Application

1600mm x 40mm (≈63" x 1.5")



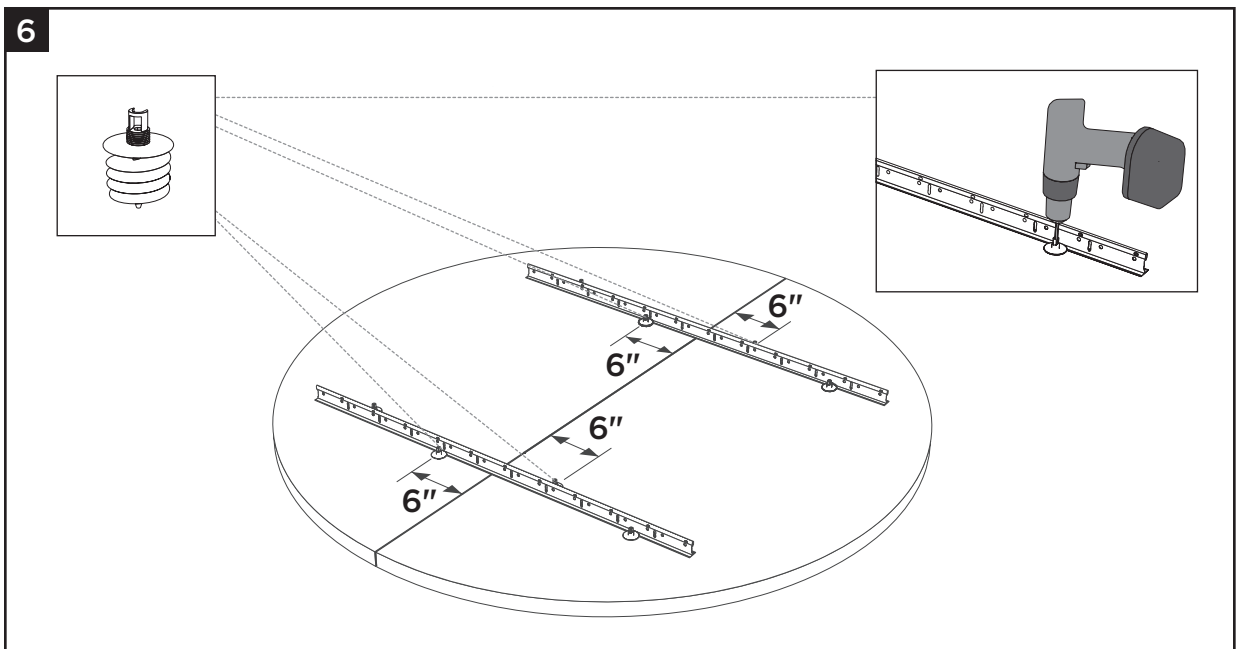
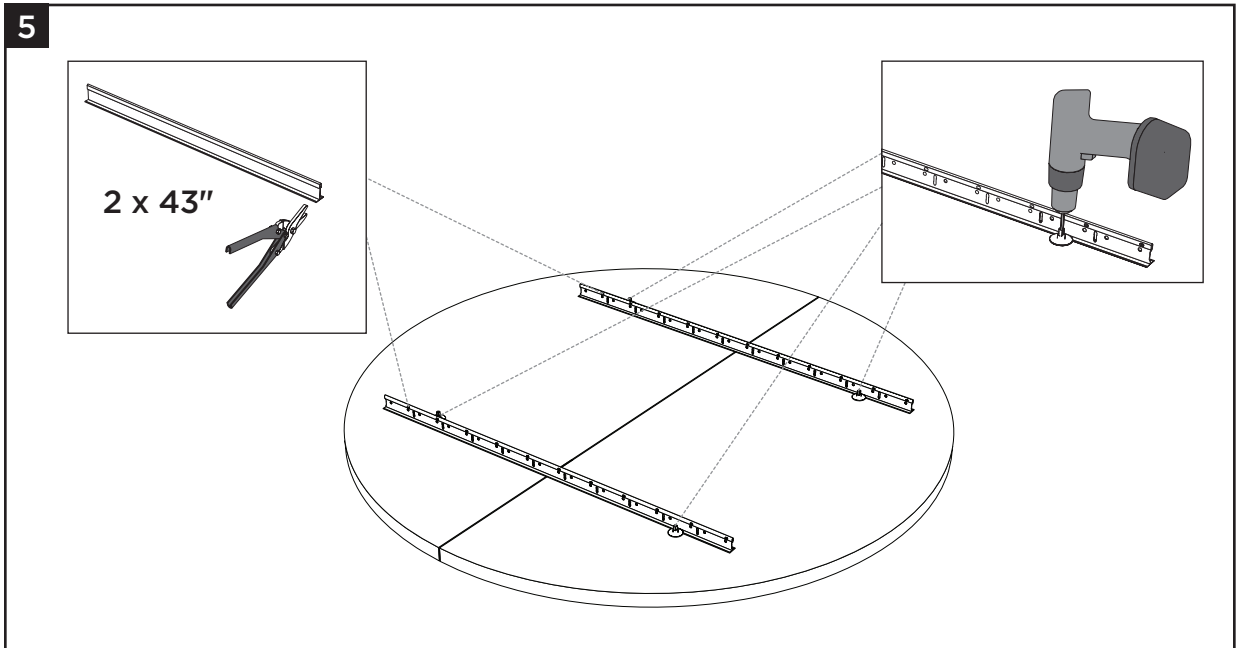
Installation for Ecophon® Solo™ Circle XL 1600 Ceiling Panels – Connect Adjustable Wire Hanger Application

1600mm x 40mm (≈63" x 1.5")



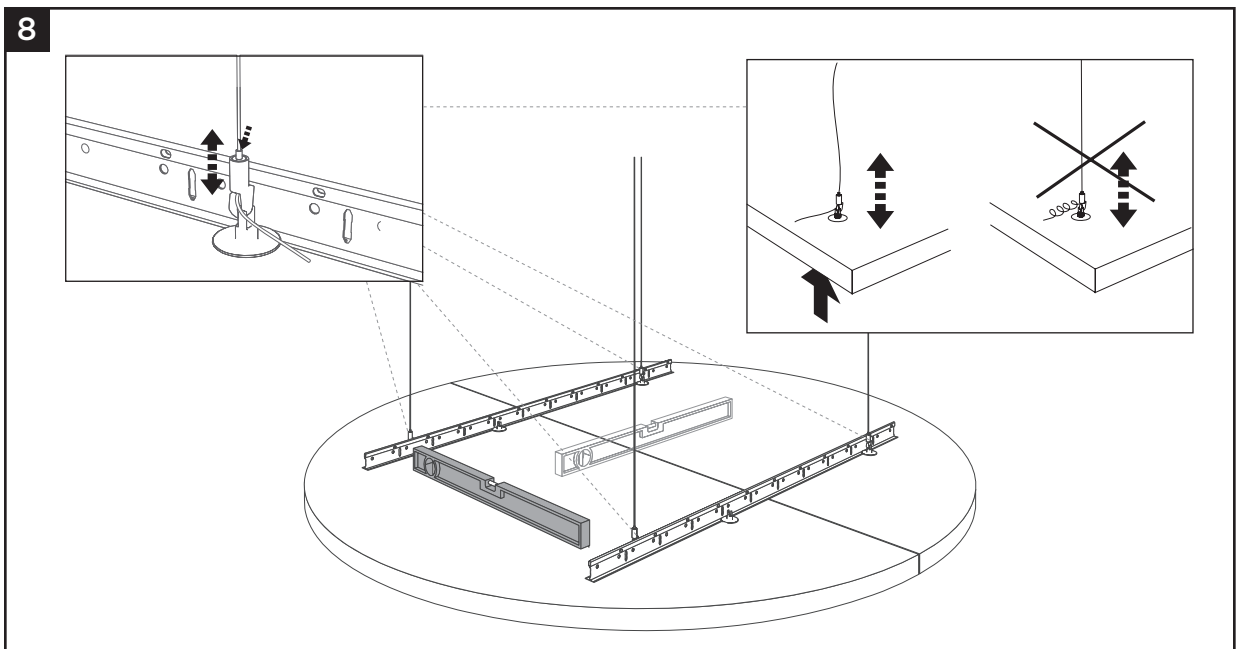
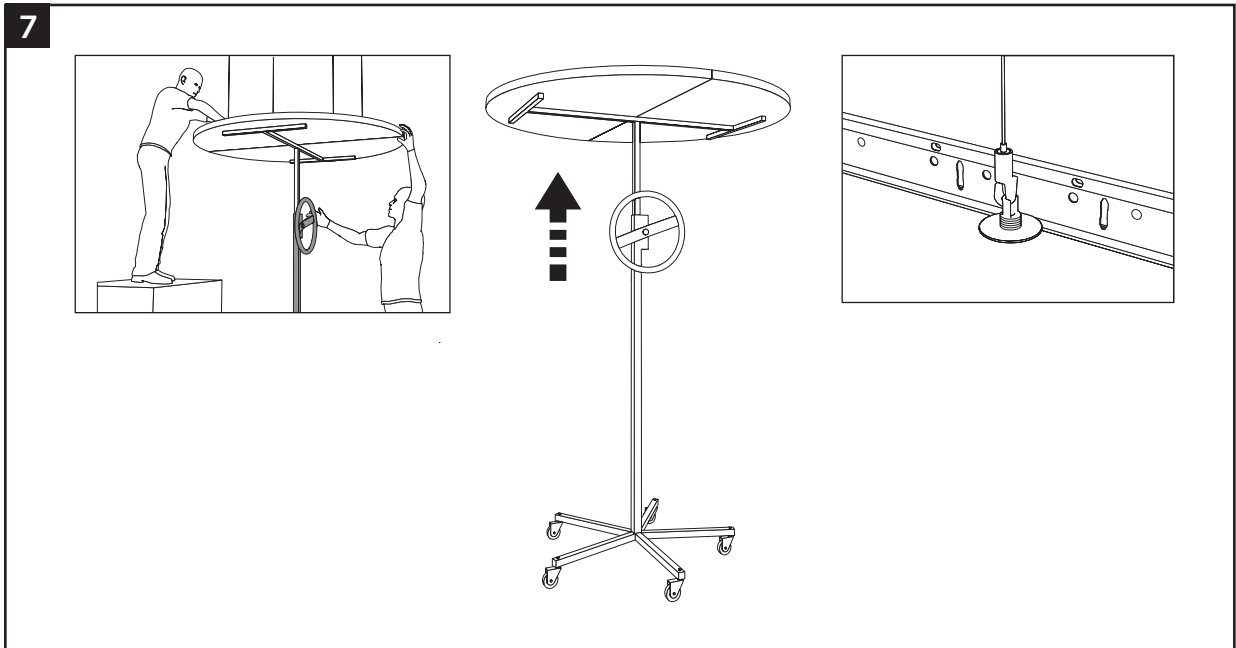
Installation for Ecophon® Solo™ Circle XL 1600 Ceiling Panels – Connect Adjustable Wire Hanger Application

1600mm x 40mm (≈63" x 1.5")



Installation for Ecophon® Solo™ Circle XL 1600 Ceiling Panels — Connect Adjustable Wire Hanger Application

1600mm x 40mm (≈63" x 1.5")



Installation for Ecophon® Solo™ Circle XL 1600 Ceiling Panels — Connect Adjustable Wire Hanger Application

1600mm x 40mm (≈63" x 1.5")

