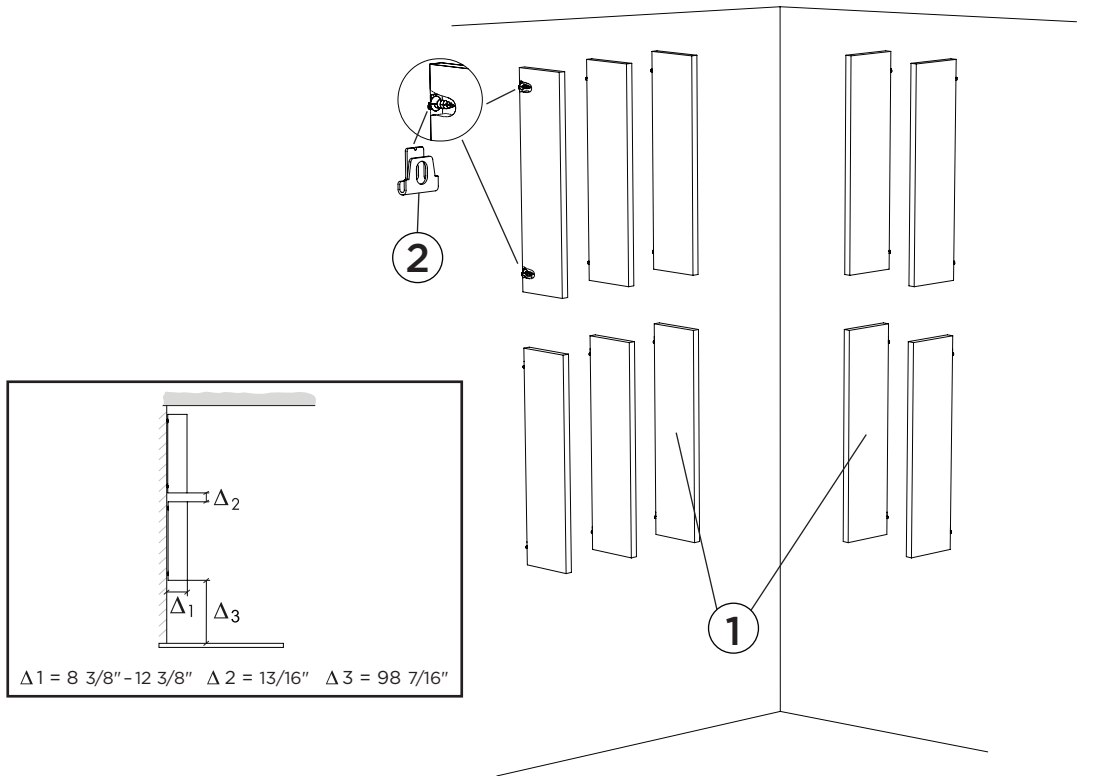


# Ecophon® Solo™ Baffle on Wall

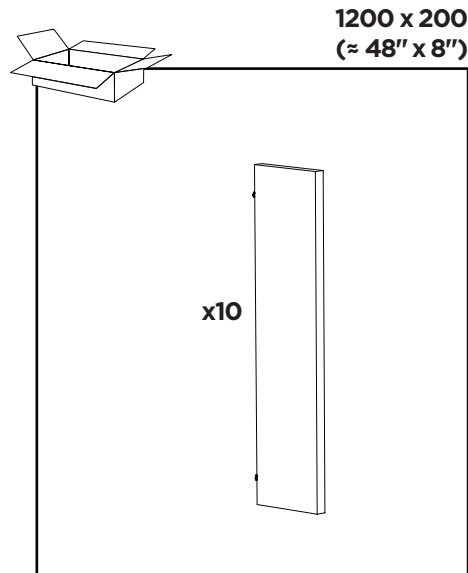
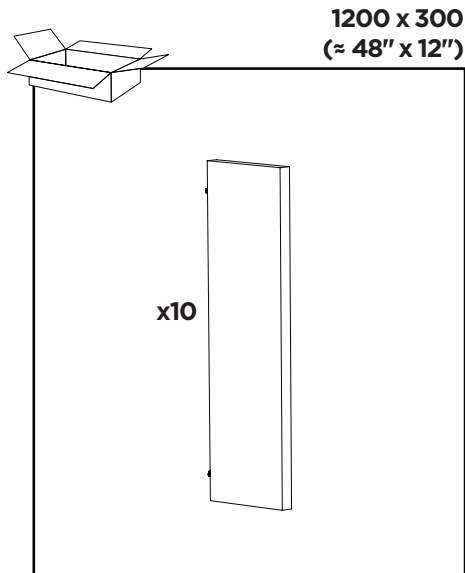
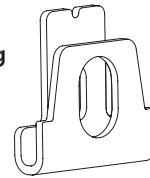
## Installation Manual



$\Delta_1 = 8 \frac{3}{8}'' - 12 \frac{3}{8}''$   $\Delta_2 = 13/16''$   $\Delta_3 = 98 \frac{7}{16}''$

1. Ecophon Solo Baffle Anchor  
1200x300 ( $\approx 48'' \times 12''$ ),  
1200x200 ( $\approx 48'' \times 8''$ )

2. Baffle Wall Fixing  
2630 0047



# Installation for Ecophon® Solo™ Baffle on Wall

Method of attachment to the structure of any accessory is provided by others.

