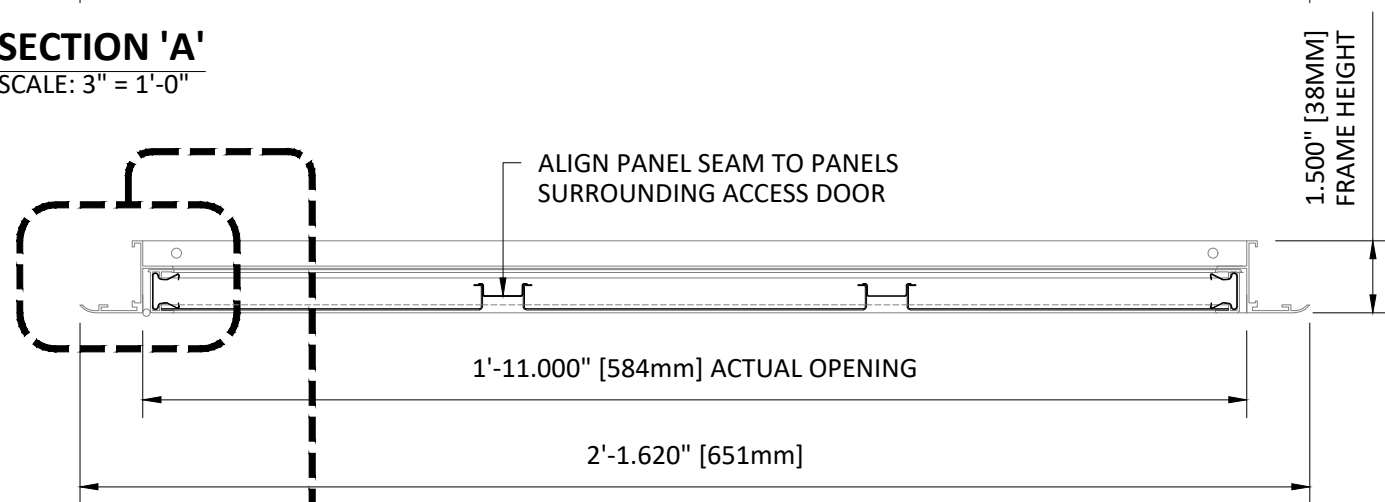
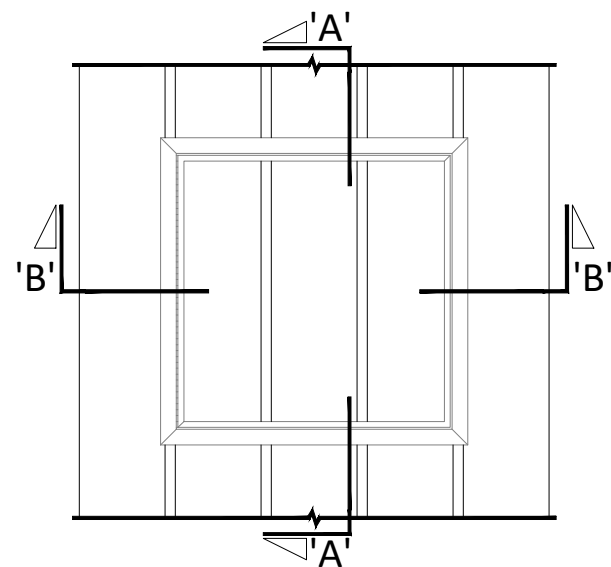
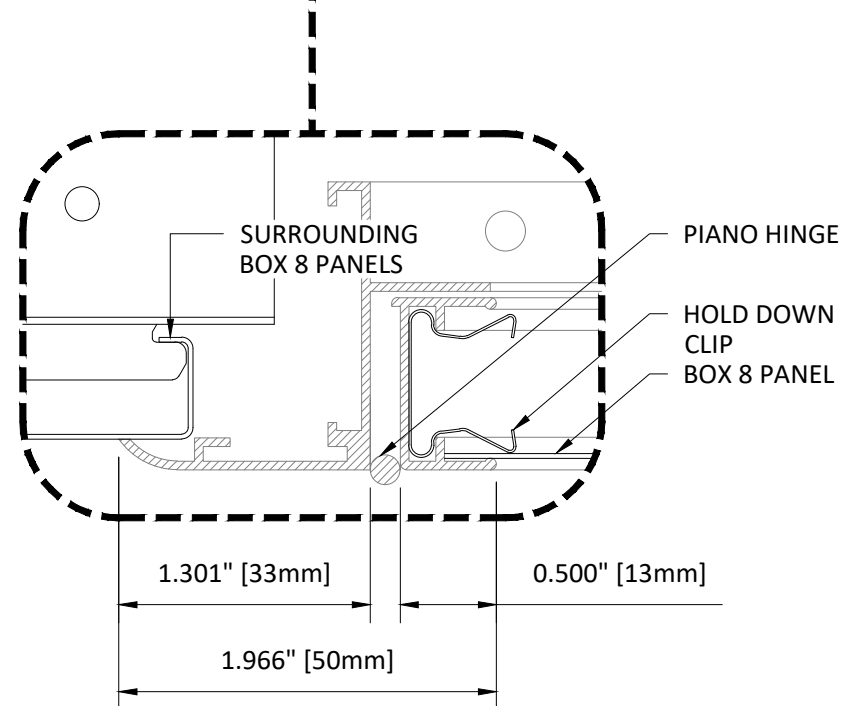


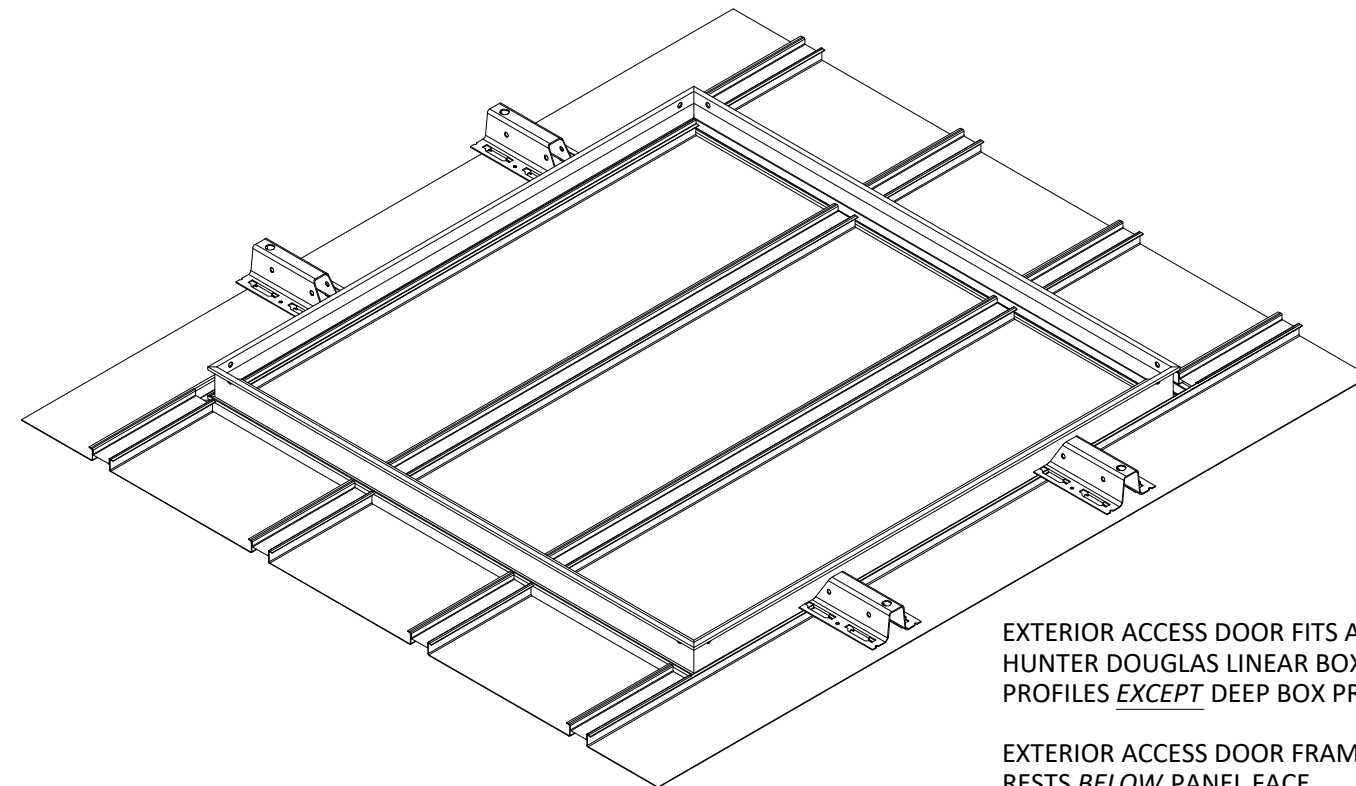
**SECTION 'A'**  
SCALE: 3" = 1'-0"



**SECTION 'B'**  
SCALE: 3" = 1'-0"



**VIEW FROM BELOW:**  
SCALE: NOT TO SCALE

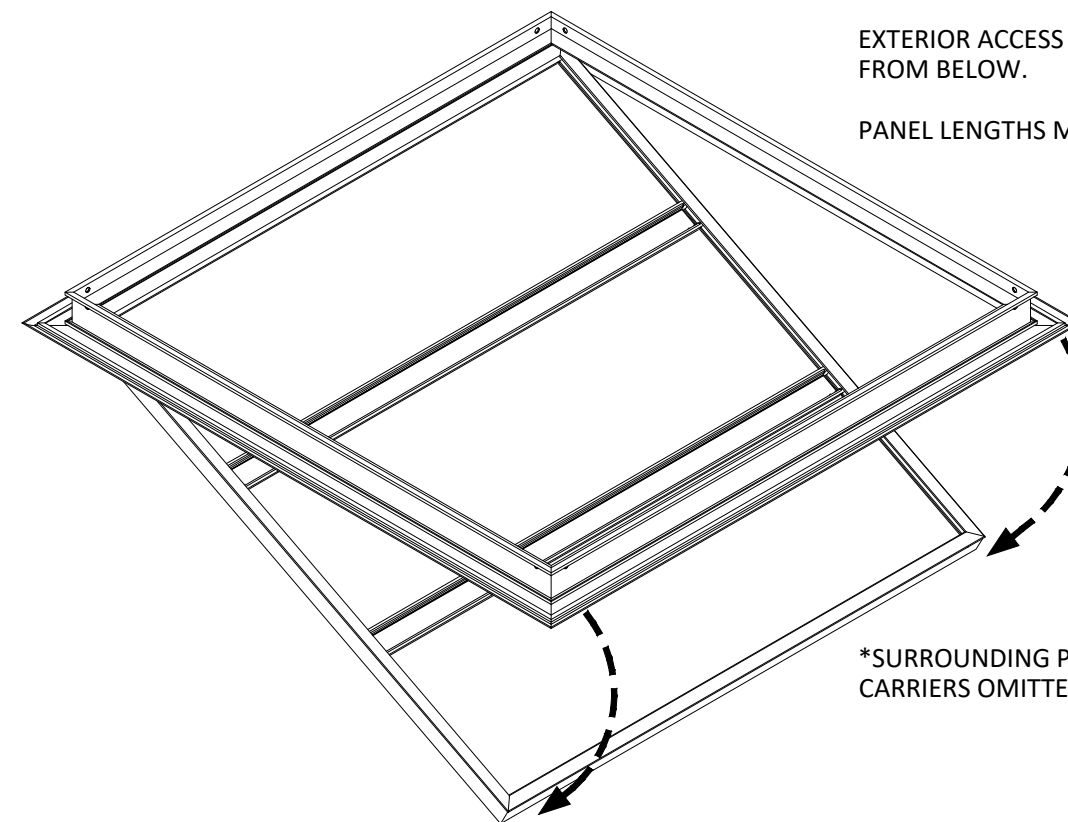


EXTERIOR ACCESS DOOR FITS ALL HUNTER DOUGLAS LINEAR BOX PROFILES *EXCEPT* DEEP BOX PROFILES.

EXTERIOR ACCESS DOOR FRAME RESTS *BELOW* PANEL FACE.

EXTERIOR ACCESS DOOR IS EXPOSED FROM BELOW.

PANEL LENGTHS MUST BE FIELD-CUT.



\*SURROUNDING PANELS AND CARRIERS OMITTED FOR CLARITY

**EXTERIOR INSTALLATION**



5015 Oakbrook Parkway, Suite 100  
Norcross, GA 30093  
O 800.366.4327  
F 770.806.0214  
CTSpecialtyCeilings.com

*All rights reserved. This drawing is the property of CertainTeed Ceilings Corporation. It may not be copied or multiplied, neither wholly nor partly. It may not be submitted for perusal to third parties.*

**SPECIFICATIONS**  
(unless noted otherwise)

MATERIAL: .032" | .040" ALUMINUM BOX & PANEL | .040" ALUMINUM UNIVERSAL CARRIER  
FINISH: PAINT | POWDER COAT | DECORATED WOOD FINISH | LUXACOTE  
PERFORATION: NON-PERFORATED | #160

**2'-0" X 2'-0" EXTERIOR ACCESS DOOR**

PROJECT: EXTERIOR LINEAR BOX 8 PRODUCT SPECIFICATIONS  
DRAWING NUMBER: EXT-BOX-8-ACCESS-DOOR  
SCALE: NOT TO SCALE  
DRAWN BY: HD ENGINEERING  
DATE: 2/22/19