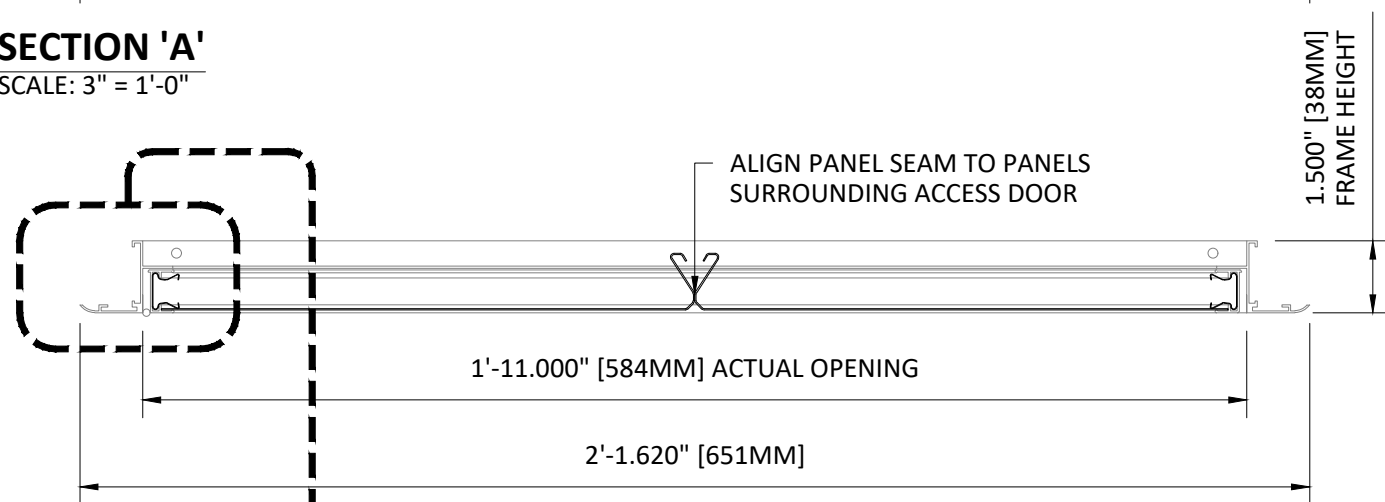
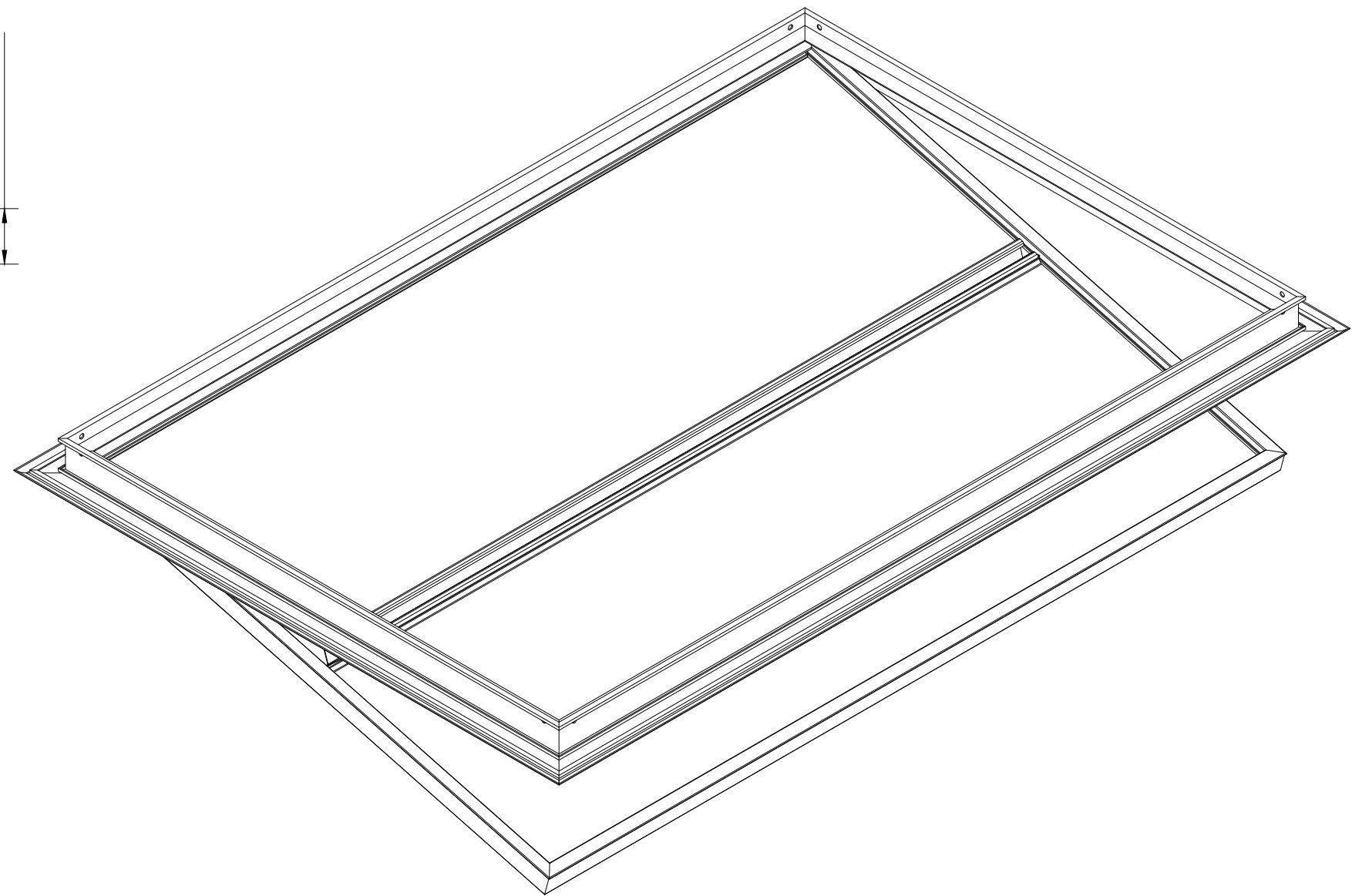
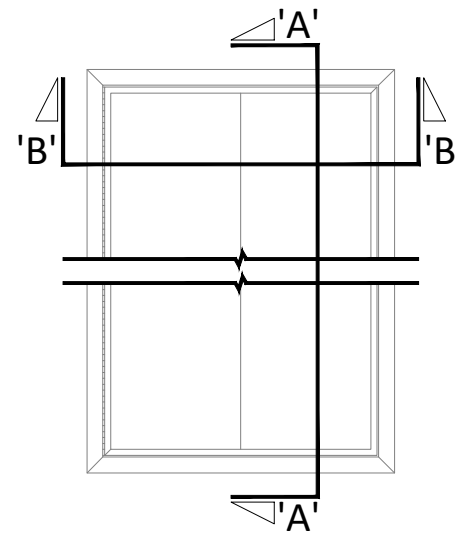
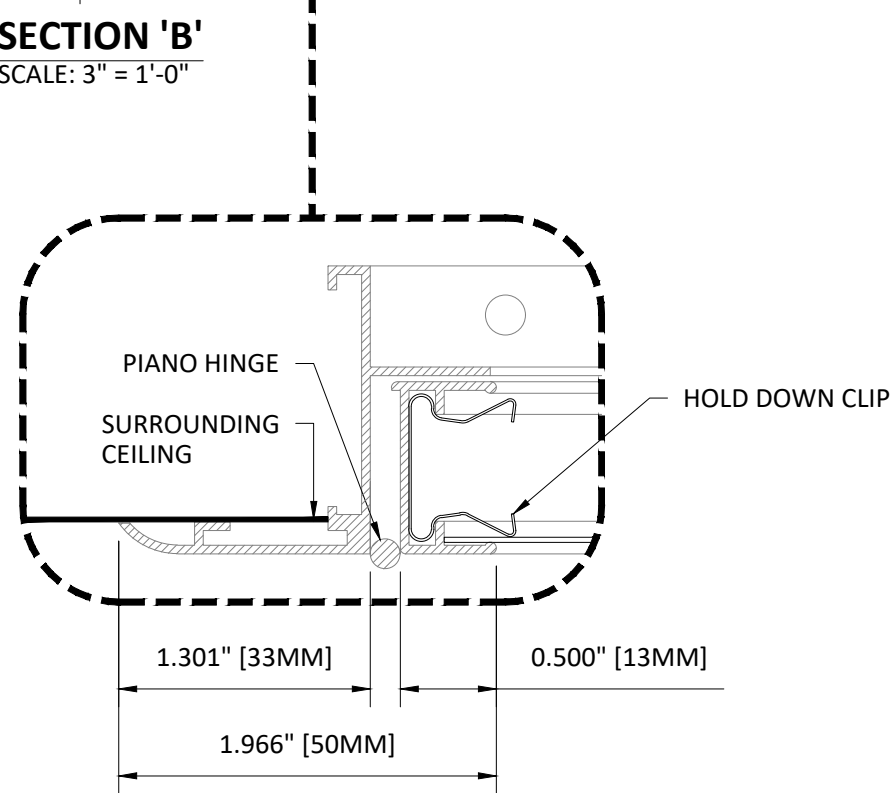


**SECTION 'A'**  
SCALE: 3" = 1'-0"



**SECTION 'B'**  
SCALE: 3" = 1'-0"



**EXTERIOR INSTALLATION**

**HunterDouglas**   
**Ceiling & Wall Products**  
exclusively from CertainTeed

5015 Oakbrook Parkway, Suite 100  
Norcross, GA 30093  
O 800.366.4327  
F 770.806.0214  
CTSpecialtyCeilings.com

*All rights reserved. This drawing is the property of CertainTeed Ceilings Corporation. It may not be copied or multiplied, neither wholly nor partly. It may not be submitted for perusal to third parties.*

**SPECIFICATIONS**

(unless noted otherwise)

MATERIAL: .028" ALUMINUM 300C PANEL | .040" ALUMINUM 300C CARRIER  
FINISH: PAINT | POWDER COAT | DECORATED WOOD FINISH | LUXACOTE  
PERFORATION: NON-PERFORATED | #124

**2'-0" X 3'-0" EXTERIOR ACCESS DOOR**

PROJECT: EXTERIOR 300C PRODUCT SPECIFICATIONS  
DRAWING NUMBER: EXT-300C-ACCESS-DOOR  
SCALE: AS SHOWN  
DRAWN BY: HD ENGINEERING  
DATE: 2/22/19