

**OUTSIDE CURVE EDGELINE**

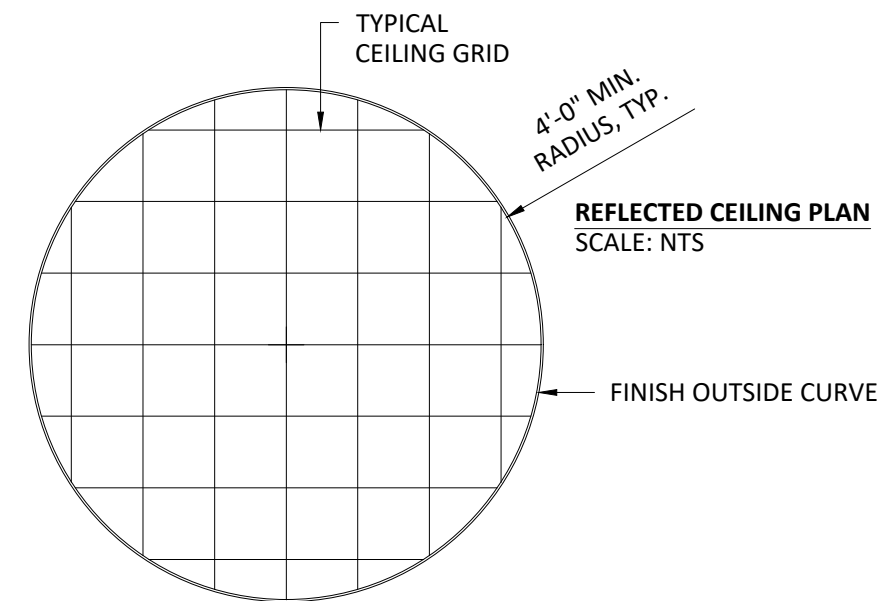
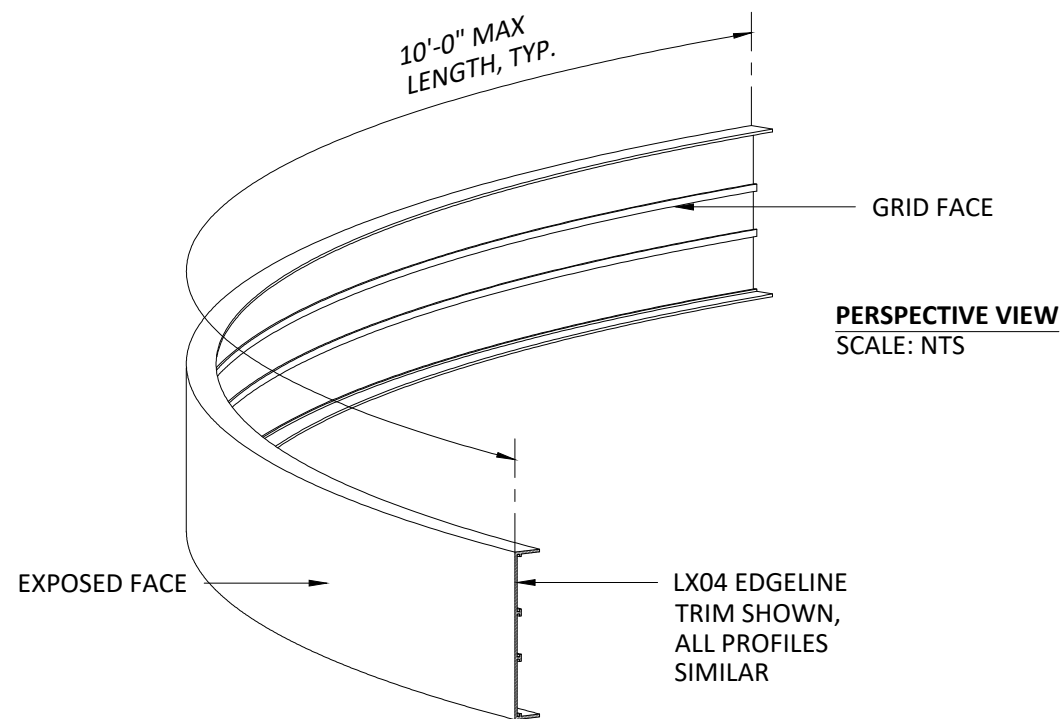
PROFILE: ALL SIZES AVAILABLE

LENGTH: 10'-0" MAXIMUM LENGTH

RADIUS: 4'-0" MINIMUM RADIUS. CONTACT HUNTER DOUGLAS FOR SMALLER RADII OPTIONS

FINISH: OUTSIDE FACE & RETURNS ONLY, TYP.

CURVILINEAR SHAPES SHOULD BE TANGENT



**INSIDE CURVE EDGELINE**

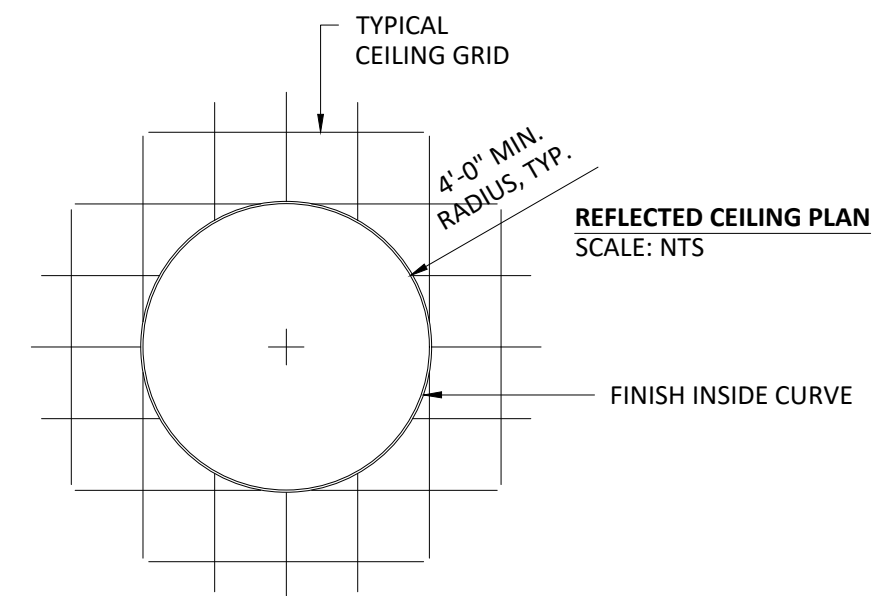
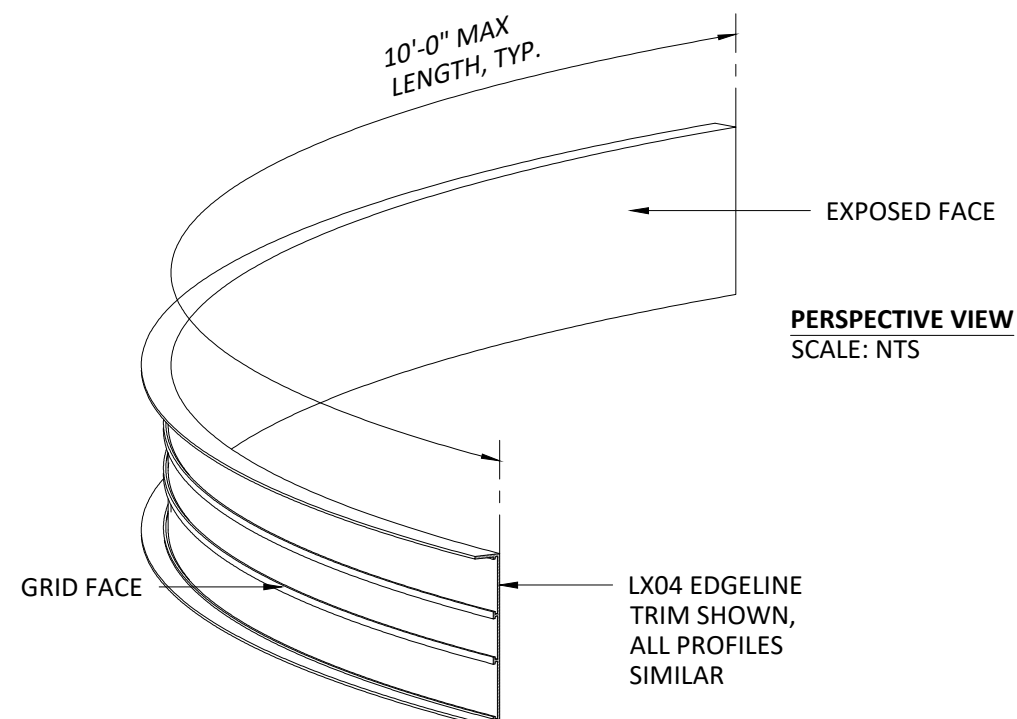
PROFILE: ALL SIZES AVAILABLE

LENGTH: 10'-0" MAXIMUM LENGTH

RADIUS: 4'-0" MINIMUM RADIUS. CONTACT HUNTER DOUGLAS FOR SMALLER RADII OPTIONS

FINISH: INSIDE FACE & RETURNS ONLY, TYP.

CURVILINEAR SHAPES SHOULD BE TANGENT



\*LX04 EDGELINE TRIM SHOWN AS EXAMPLE\*

**SPECIFICATIONS**

(unless noted otherwise)

MATERIAL: EXTRUDED ALUMINUM, THICKNESS VARIES  
 FINISH: PAINT | POWDER COAT | LUXACOTE  
 PERFORATION: NOT AVAILABLE

**HORIZONTAL CURVED EDGELINE SPECIFICATIONS**

PROJECT: EDGELINE PRODUCT SPECIFICATIONS  
 DRAWING NUMBER: EDGELINE-A1.8  
 SCALE: AS SHOWN  
 DRAWN BY: HD ENGINEERING  
 DATE: 2/21/19